

Atlas Copco Stationary Air Compressors

GA200 - GA250 - GA315
GA200 W - GA250 W - GA315 W

Parts list

From following serial No. onwards
AIF - 063 865

- Copyright 2003, Atlas Copco Airpower n.v., Antwerp, Belgium.
Any unauthorized use or copying of the contents or any part thereof is prohibited. This applies in particular to trademarks, model denominations, part numbers and drawings.
- **Use only authorized parts.** Any damage or malfunction caused by the use of unauthorized parts is not covered by Warranty or Product Liability.

No. 2930 1292 02

Registration code: APC G≥90/99 / 39 / 991

Replaces No. 2930 1292 01

2003-01

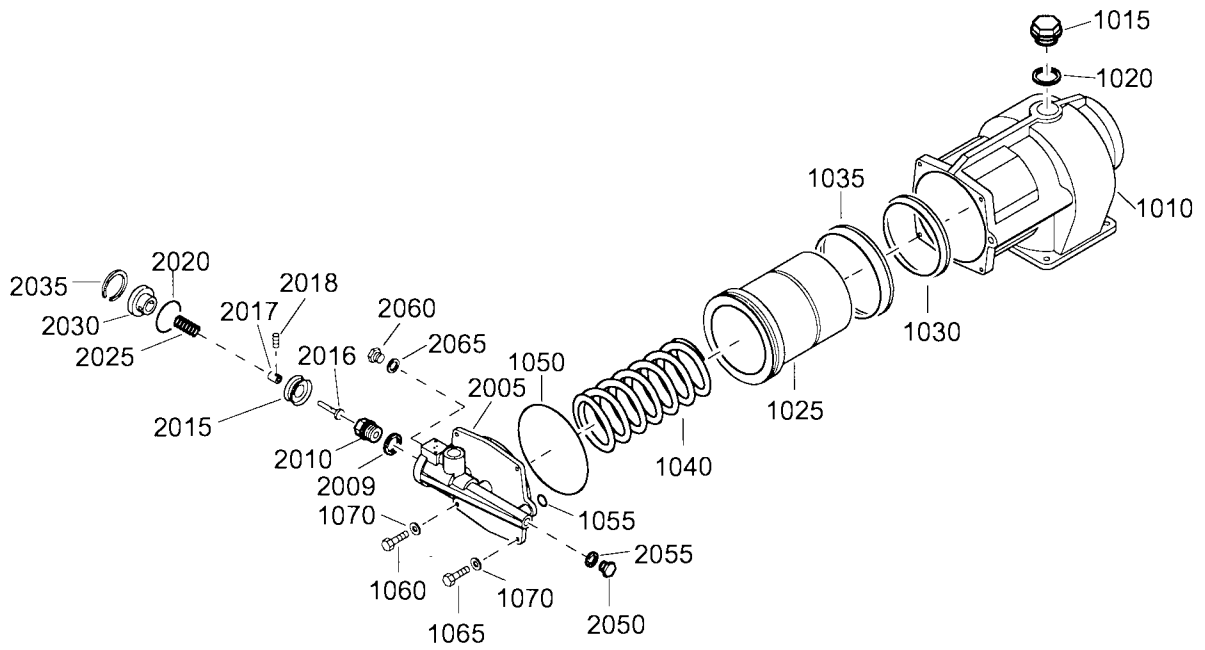
www.atlascopco.com

Atlas Copco

Contents	Indice
Inhoud	Innehåll
Innehåll	Inhaltsverzeichnis
Inhaltsverzeichnis	Table des matières
Table des matières	Indice
Indice	
<hr/>	
Unloading valve	Air outlet
Ontlastventiel	Luchtuitlaat
Avlastningsventil	Luftutlopp
Entlastungsventil	Luftauslaß
Soupape de décharge	Sortie d'air
Válvula de descarga	Salida de aire
Valvola di messa a vuoto	Mandata dell'aria
Aflastningsventil	Luftafgang
Válvula de descarga	Saida de ar
Avlastningsventil	Luftutløp
Kevennyysventtiili	Paincilmaputki
	- Pack
	- Full-feature
	- Full-feature + DD filter
Drive arrangement	Cooler(s)
Aandrijfuitvoering	Køler(s)
Drivarrangemang	Kylare
Antriebsanordnung	Kühler
Dispositif d'entraînement	Refrigidisseur(s)
Disposición de accionamiento	Refrigerador(es)
Disposizione di azionamento	Refrigeratore(i)
Arrangement	Kølere
Disposição de accionamento	Refrigerador(es)
Drivarrangement	Kjøler(c)
Rakenne	Jäähdyttimet
	- GA
	- GA W
Air inlet	Frame and coupling
Luchtinlaat	Frame en koppeling
Luftintag	Ram och koppling
Luftcinlaß	Rahmen und Kupplung
Admission d'air	Châssis et accouplement
Entrada de aire	Bastidor y acoplamiento
Presa d'aria	Telaio e giunto
Luftindsug	Ramme og kobling
Admissão de ar	Base e acoplamento
Luftinnløp	Ramme og kopling
Tuloilma	Runko ja kytkin
	Fan and cooling duct plates
	Ventilator en koelluchtgeleideplaten
	Fläkt och kylkanalplåtar
	Ventilator und Kühlluftleitbleche
	Ventilateur et conduits de refroidissement
	Ventilador y paneles de conducción de refrigeración
	Ventilatore e intubatura
	Ventilator og køleledeplader
	Ventilador e paineis das condutas de refrigeração
	Vifte og kjølekanalplater
	Puhallin ja jäähdytyskanavalevyt
	- GA
	Regulating system
	Regelsystem
	Reglersystem
	Regelsystem
	Système de régulation
	Sistema de regulación

Sistema di regolazione		Start cubicle - star/delta	
Reguleringssystem		Startkast - ster/drichock	
Sistema de regulação		Startskåp - stjärn/triangel	
Reguleringssystem		Anlaßschrank - Stern/Dreieck	
Säätöjärjestelmä		Armoire de démarrage - étoile/triangle	
- 1)	14	Cubículo de arranque - estrella/triángulo	
- 2)	15	Armadio apparecch. di avviamento - stella/triangolo	
Drain system		Starterskab - stjerne/trekant	
Aftapsystem		Cubículo-arranque estrela/triángulo	
Avtappningssystem		Startskåp - stjerne-trekant	
Ablaufsystem		Käynnistinkotelo - Y/D	
Système de vidange		- Control Voltage 230/24V-Full options 1)	25
Sistema de drenaje		- Control Voltage 230/24V-Full options 2)	26
Sistema di scarico		- Control Voltage 115/24V-CSA/UL-Full options 1) ..	27
Dränsystem		- Control Voltage 115/24V-CSA/UL-Full options 2) ..	28
Sistema de drenagem de condensados		- Control Voltage 230/24V-COM 1option only 1)	29
Avtappningssystem		- Control Voltage 230/24V-Basic parts 2)	30
Lauhteenpoistojärjestelmä		- Control Voltage 115/24V-CSA/UL-COM 1 option only 1)	31
- Basic- and DD-filter drain	16	Start cubicle - without starter	
- Electronic Drain System	17	Startkast - zonder starter	
- Oil Separator condensate Drain	18	Startskåp - utan startutrustning	
Bodywork		Anlaßschrank - ohne Starter	
Carrosserie		Armoire de démarrage - sans démarreur	
Karosseri		Cubículo de arranque - sin arrancador	
Karossieric		Armadio apparecch. di avviamento - senza apparecchiatura di avviamento	
Capotage		Starterskab - uden starter	
Carroceria		Cubículo-arranque - sem arrancador	
Cappottatura		Startskåp - uten starter	
Karosseri		Käynnistinkotelo - ilman käynnistintä	
Carroceria		- Control Voltage 230/24V-Full options 1)	32
Kabinett		- Control Voltage 230/24V-Full options 2)	33
Kotelo		- Control Voltage 115/24V-CSA/UL-Full options 1) ..	34
- GA	19	- Control Voltage 115/24V-CSA/UL-Full options 2) ..	35
- GA W	20	Service kits	
Cubicle		Service kits	
Kast		Service kits	
Skåp		Service Kits	
Schaltschrank		Service kits	
Armoire		Service kits	
Armario		Kit per la manutenzione	
Armadio elettrico		Service kits	
Elskab		Conjuntos de reparação	
Quadro		Servicesett	
Skap		Huoltotarvikesarjat	36
Kotelo		1) Up to serial No. :	
- 1)	21	Tot serienummer:	2) From following serial No. onwards:
- 2)	22	Bis Seriennummer:	Geldig vanaf volgend serienummer:
Air dryer		Jusqu'au numéro de série:	Fr.o.m. tillverkningsnummer:
Luchtdroger		Hasta el número de serie:	Gültig ab Seriennummer:
Lufttorkare		Fino al numeri di serie:	Valable à partir du numéro de série suivant:
Lufttrockner		Gælder til følgende serienumre:	A partir del siguiente número de serie:
Sécheur d'air		Até o número de série:	Dai seguenti numeri di serie in avanti:
Secador de aire		Til følgende serienummer:	Gælder fra følgende serienumre:
Essiccatore d'aria		Seuraavaan valmistusnumeroon asti, No.:	A partir do número de série:
Lufttørrer		AIF-078 301	Fra og med følgende serienummer:
Secador de ar			Alkaen valmistusnumerosta
Lufttørker			AIF-078 302
Kuivain			
- GA	23		
- GA W	24		

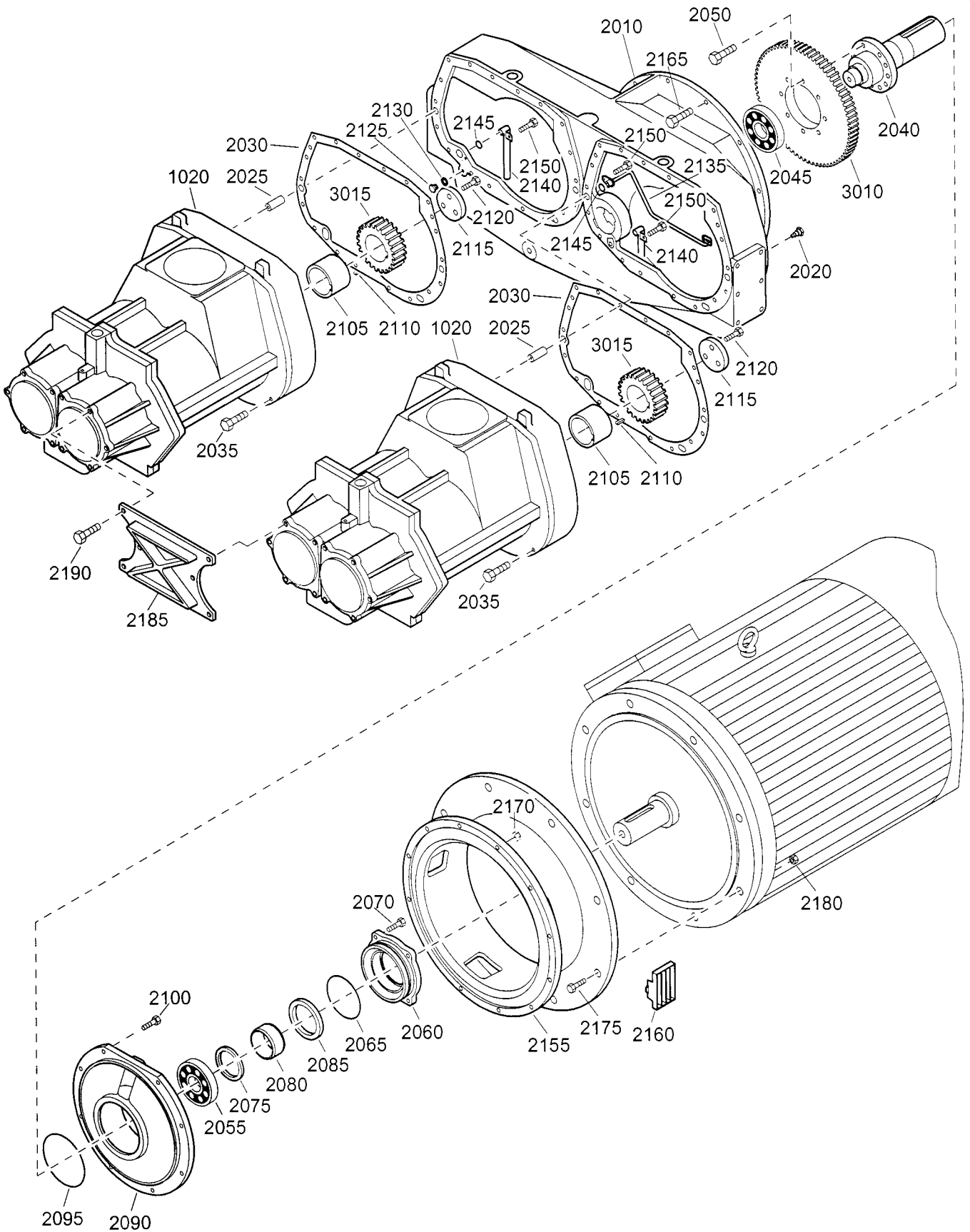
1



Unloading valve

Ref.	Part number	Qty	Name	Remarks	Ref.	Part number	Qty	Name	Remarks
	1614 9008 80	1	Unloader assembly		2005	1614 9177 00	●● 1	Valve cover	
1010	1614 9008 00	● 1	Valve housing		2009	0661 1000 36	●● 1	Seal washer	
1015	2250 2528 00	● 1	Plug screw		2010	1614 9154 00	●● 1	Valve seat	
1020	0661 1000 31	● 1	Seal washer		2015	1621 9133 00	●● 1	Piston	
1025	1614 9173 00	● 1	Valve		2016	1621 9146 00	●● 1	Pin	
1030	1619 6142 00	● 1	Sealring		2017	1621 9145 00	●● 1	Bushing	
1035	1619 6143 00	● 1	Sealring		2018	0196 1552 98	●● 1	Set screw	
1040	1614 9282 00	● 1	Spring		2020	0663 9868 00	●● 1	O-ring	
1050	0663 2109 71	● 1	O-ring		2025	1614 9156 00	●● 1	Spring	
1055	0663 2109 73	● 2	O-ring		2030	1621 9136 00	●● 1	Cover	
1060	0147 1326 03	● 2	Bolt		2035	0335 2150 00	●● 1	Circlips	
1065	0147 1958 97	● 2	Bolt		2050	0686 3716 38	●● 1	Plug	
1070	0301 2335 00	● 4	Washer		2055	0653 9078 00	●● 1	Flat gasket	
	1614 9177 80	● 1	Cover assembly		2060	0686 4201 03	●● 1	Plug	
					2065	0653 0500 08	●● 1	Flat gasket	

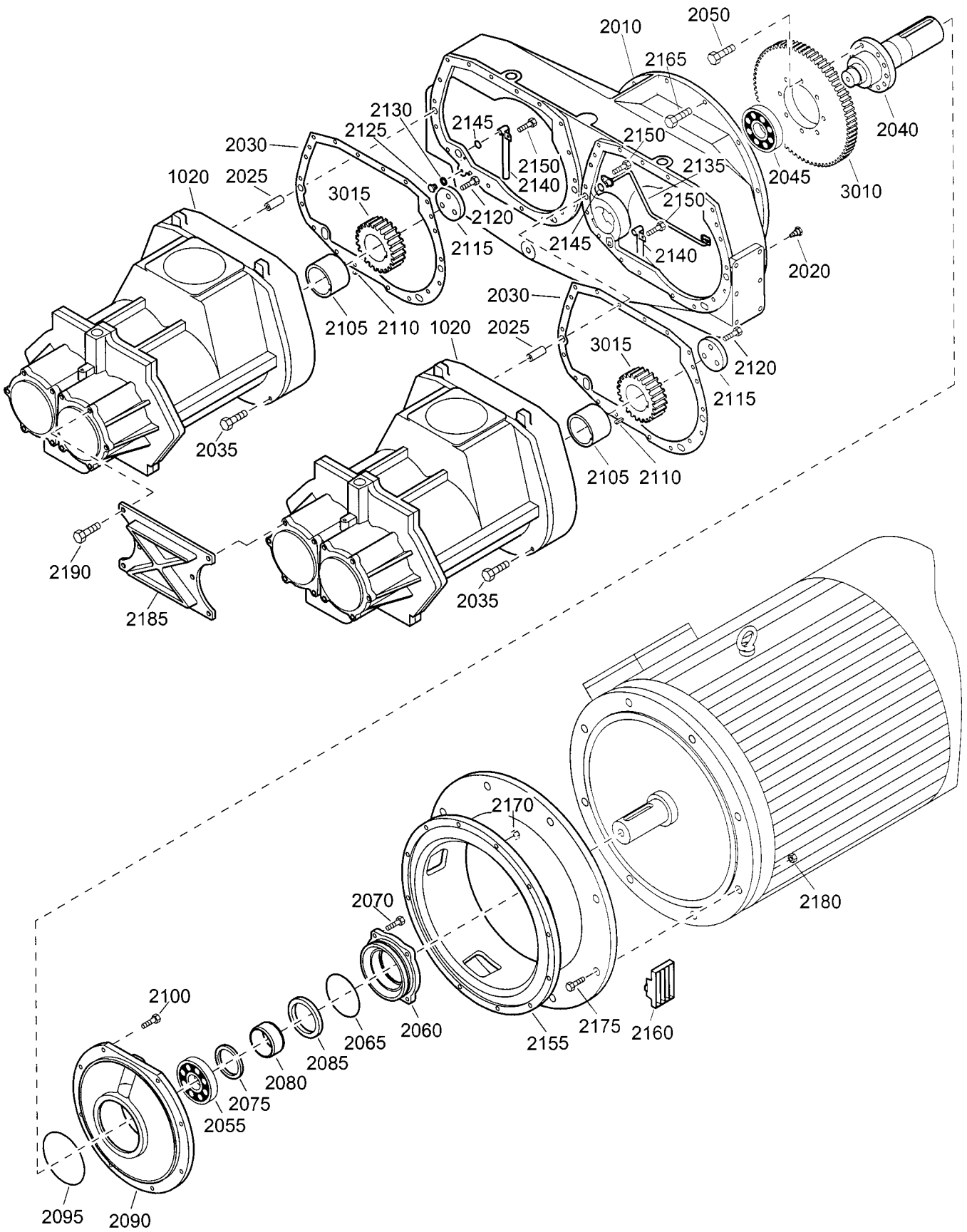
2



Drive arrangement

Ref.	Part number	Qty	Name	Remarks	Ref.	Part number	Qty	Name	Remarks
1020	2989 0122 00	2	Service stage		2160	1614 6611 00	3	Grating	
2010	1616 5514 00	1	Gear casing		2165	0147 1368 03	12	Bolt	
2020	1619 6032 00	1	Nipple	1)	2170	0266 2111 00	12	Nut	
2025	0101 1626 00	4	Pin		2175		8	Bolt	
2030	1616 5551 00	2	Gasket			0147 1555 03		GA200 ABB 380-415V/50Hz	
2035	0147 1380 03	36	Bolt					GA200 ABB 500V/50Hz	
2040	1616 5520 00	1	Drive shaft					GA200 ABB 380V/60Hz	
2045	0506 2109 00	1	Roller bearing					GA200 ABB 440-460V/60Hz	
2050	0211 1407 00	10	Cap screw					GA200 Siemens 440-460V/60Hz	
2055	0506 0100 08	1	Roller bearing					GA200 Siemens 575V/60Hz	
2060	1616 5515 00	1	Retainer					GA250 ABB 380-415V/50Hz	
2065	0663 2107 76	1	O-ring					GA250 ABB 500V/50Hz	
2070	0147 1364 03	4	Bolt					GA250 ABB 380V/60Hz	
2075	1616 5518 00	1	Washer					GA250 ABB 440-460V/60Hz	
2080	1616 5519 00	1	Bushing					GA315 ABB 380V/60Hz	
2085	1614 9506 00	1	Seal					GA315 ABB 440-460V/60Hz	
2090	1616 5516 00	1	Bearing housing					GA200 ABB 3kV/50Hz	
2095	0663 2108 28	1	O-ring			0147 1958 65		GA200 ABB 3,3kV/50Hz	
2100	0147 1365 03	8	Bolt					GA200 ABB 6kV/50Hz	
2105	2254 8831 00	2	Bushing					GA200 ABB 3,3kV/60Hz	
2110	0337 6074 00	2	Parallel key					GA200 ABB 4,16kV/60Hz	
2115	2252 5470 00	2	Washer					GA200 ABB 6,6kV/60Hz	
2120	0211 1409 00	6	Cap screw					GA250 ABB 3kV/50Hz	
2125	0686 3716 02	3	Plug					GA250 ABB 3.3V/50Hz	
2130	0661 1000 27	3	Seal washer					GA250 ABB 6kV/50Hz	
2135	1616 6248 00	1	Oil pipe					GA250 ABB 3.3kV/60Hz	
2140	1616 6247 00	2	Drain pipe					GA250 ABB 4.13kV/60Hz	
2145	0663 2109 73	3	O-ring					GA250 ABB 6.6kV/60Hz	
2150	0147 1244 03	4	Bolt					GA250 Siemens 440-460V/60Hz	
2155		1	Coupling housing					GA315 Siemens 575V/60Hz	
	1614 6795 00		GA200 ABB 380-415V/50Hz					GA315 Siemens 575V/60Hz	
			GA200 ABB 500V/50Hz					GA315 ABB 3.3kV/60Hz	
			GA200 ABB 380V/60Hz					GA315 ABB 4.13kV/60Hz	
			GA200 ABB 440-460V/60Hz					GA315 ABB 6.6kV/60Hz	
			GA200 Siemens 440-460V/60Hz					GA315 Siemens 440-460V/60Hz	
			GA200 Siemens 575V/60Hz					GA315 Siemens 575V/60Hz	
			GA250 ABB 380-415V/50Hz		2180	0266 2116 00	8	Nut	
			GA250 ABB 500V/50Hz		2185	1616 5665 00	1	Plate	
			GA250 ABB 380V/60Hz		2190	0147 1366 03	6	Bolt	
			GA250 ABB 440-460V/60Hz		3010		1	Gear wheel	
			GA315 ABB 380V/60Hz			1614 9670 00		GA200-7.5bar(c),	
			GA315 ABB 440-460V/60Hz					GA315-125psig,	
	1614 7016 00		GA200 ABB 3kV/50Hz					GA250-8.5bar(c)	2)
			GA200 ABB 3,3kV/50Hz					GA315-100psig	2)
			GA200 ABB 6kV/50Hz					GA250-7.5bar(c)	
			GA200 ABB 3,3kV/60Hz			1614 9672 00		GA200-8.5bar(c),	
			GA200 ABB 4,16kV/60Hz			1614 9674 00		GA250-10bar(c)	2)
			GA200 ABB 6,6kV/60Hz					GA250-8.5bar(c)	
			GA250 ABB 3kV/50Hz			1614 9676 00		GA250-10bar(c)	2)
			GA250 ABB 3.3V/50Hz			1614 9678 00		GA200-10bar(c),	
			GA250 ABB 6kV/50Hz					GA250-125psig,	
			GA250 ABB 3.3kV/60Hz					GA250-100psig	2)
			GA250 ABB 4.13kV/60Hz			1614 9680 00		GA250-10bar(c)	
			GA250 ABB 6.6kV/60Hz			1614 9682 00		GA200-13bar(c),	
			GA250 Siemens 440-460V/60Hz					GA200-125psig,	
			GA250 Siemens 575V/60Hz					GA200-10bar(c),	2)
			GA315 ABB 3.3kV/60Hz					GA200-100psig,	2)
			GA315 ABB 4.13kV/60Hz			1614 9684 00		GA250-125psig	2)
			GA315 ABB 6.6kV/60Hz					GA250-13bar(c),	
			GA315 Siemens 440-460V/60Hz			1614 9686 00		GA315-150psig	
			GA315 Siemens 575V/60Hz					GA200-100psig,	2)
								GA200-8.5bar(c)	2)
								GA315-150psig	2)

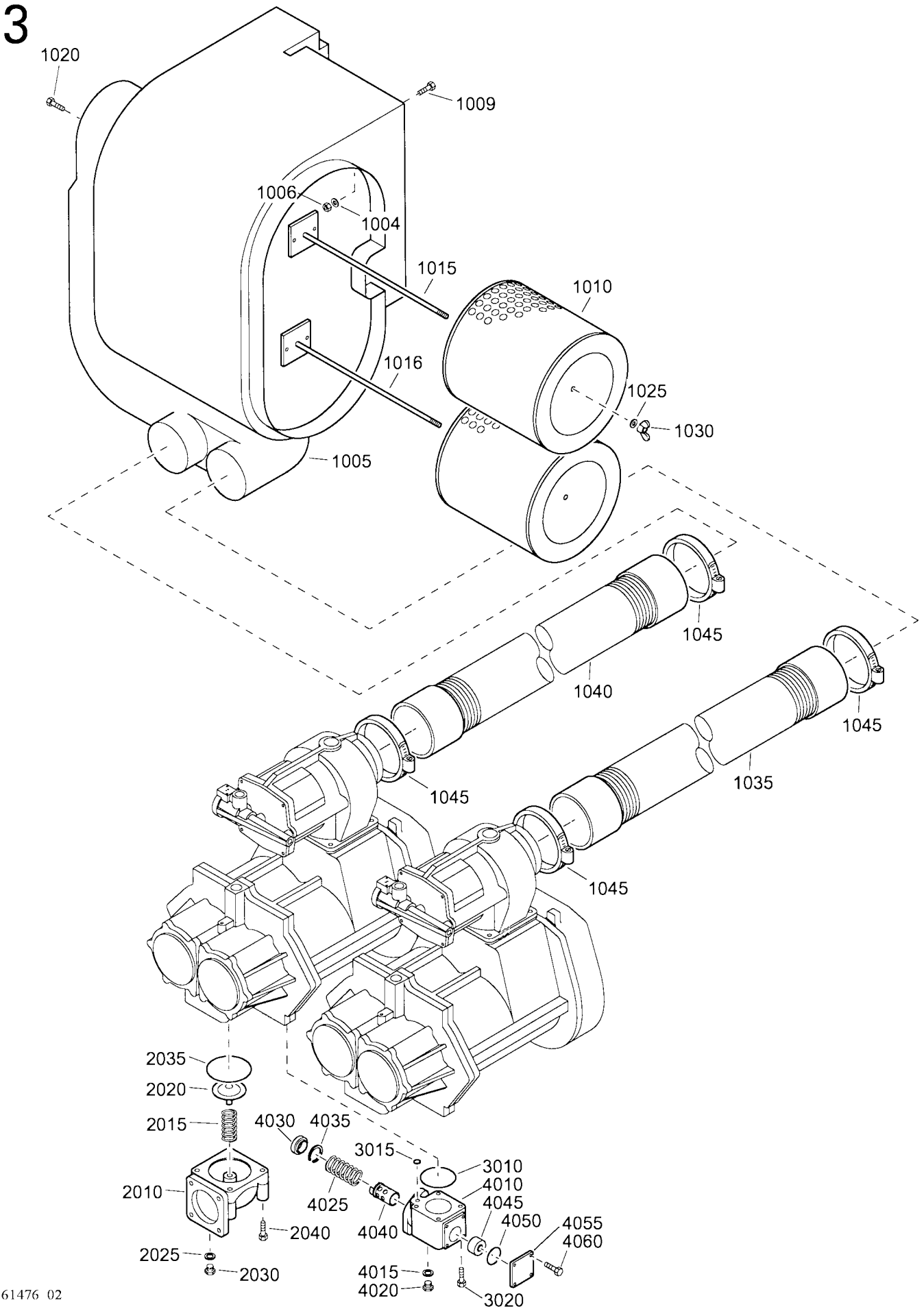
2



Drive arrangement

Ref.	Part number	Qty	Name	Remarks
	1614 9688 00		GA315-100psig, GA250-7.5bar(c)	2)
	1614 9690 00		GA200-150psig, GA200-125psig	2)
	1614 9692 00		GA250-150psig, GA315-200psig	
	1614 9696 00		GA250-200psig, GA250-150psig	2)
	1614 9698 00		GA200-7.5bar(c)	2)
	1614 9700 00		GA315-125psig, GA250-100psig	2)
3015	1614 9671 00	2	Gear wheel GA200-7.5bar(c), GA315-125psig, GA250-8.5bar(c)	2)
	1614 9673 00		GA315-100psig, GA250-7.5bar(c)	2)
	1614 9675 00		GA200-8.5bar(c), GA250-10bar(c)	2)
	1614 9677 00		GA250-8.5bar(c)	
	1614 9679 00		GA200-10bar(c), GA250-125psig, GA250-100psig	2)
	1614 9681 00		GA250-10bar(c)	
	1614 9683 00		GA200-13bar(c), GA200-125psig, GA200-10bar(c)	2)
			GA200-100psig, GA250-125psig	2)
	1614 9685 00		GA250-13bar(c), GA315-150psig	
	1614 9687 00		GA200-100psig, GA200-8.5bar(c)	2)
			GA315-150psig	2)
	1614 9689 00		GA315-100psig, GA250-7.5bar(c)	2)
	1614 9691 00		GA200-150psig, GA200-125psig	2)
	1614 9693 00		GA250-150psig, GA315-200psig	
	1614 9697 00		GA250-200psig, GA250-150psig	2)
	1614 9699 00		GA200-7.5bar(c)	2)
			GA315-125psig	2)
	1614 9701 00		GA250-100psig	

- 1) Vibration monitoring "Shock Pulse Measurement" / Trillingskontrole "SPM" / Vibrationskontroll "Stötpuls-mätning" / Schwingungsüberwachung "SPM" / Surveillance des vibrations "SPM" / Monitorización de vibraciones "SPM" / Controllo di vibrazione "SPM" / Vibrationsovervågning "SPM" / Controllo de vibrações SPM / Vibrasjonsovervåking "SPM" / SPM-tärinävalvonta
- 2) High Ambient Temperature / Hoge Omgevingstemperatuur / Hög Omgivningstemperatur / Hohe Umgebungstemperatur / Haute Température Ambiante / Alta Temperatura Ambiente / Alta Temperatura Ambiente / Høj Omgivende Temperatur / Temperatura Ambiente Elevada / Høy Omgivelsestemperatur / HAT -tropiikkiversiot

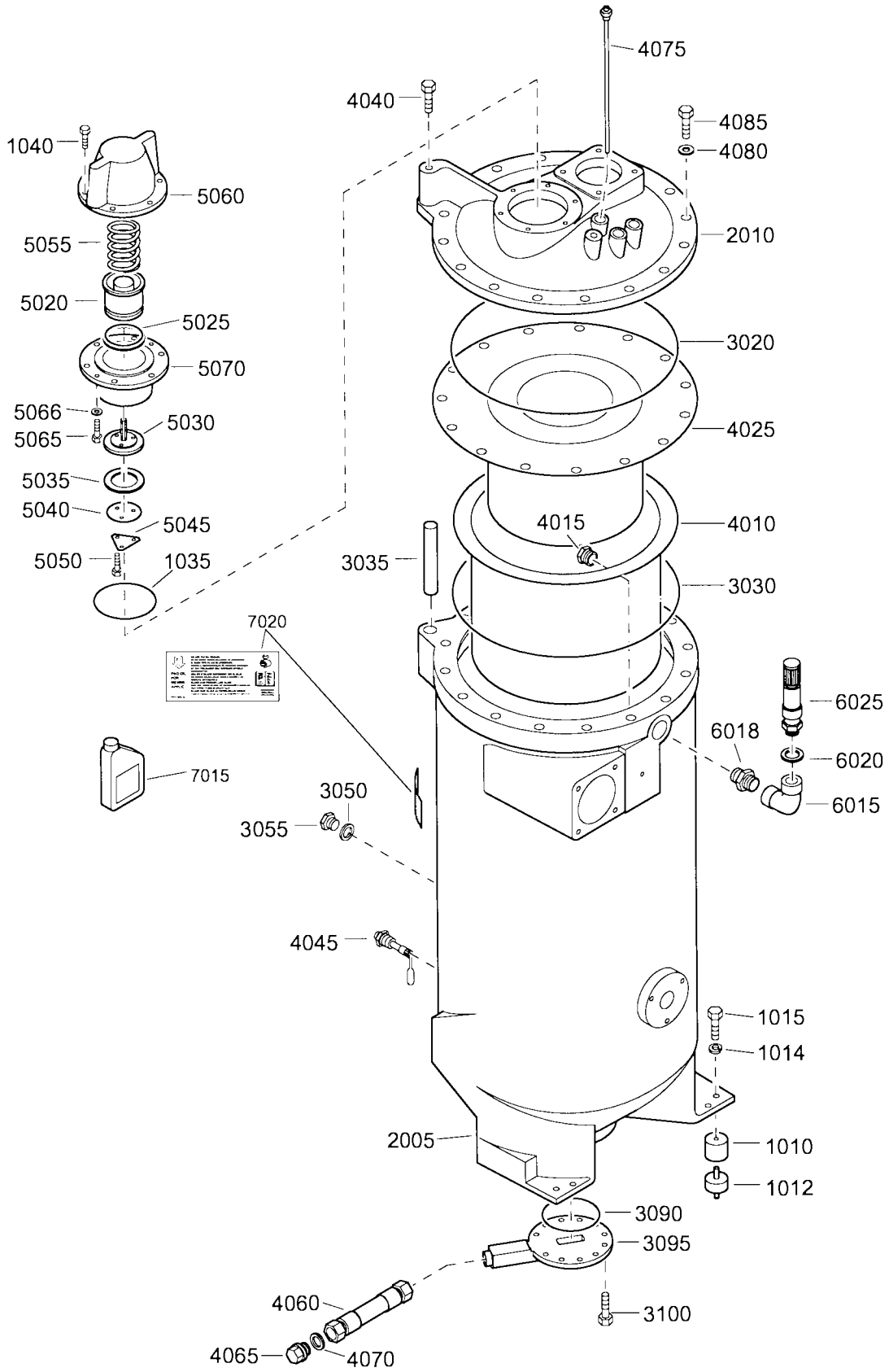


Air inlet

Ref.	Part number	Qty	Name	Remarks	Ref.	Part number	Qty	Name	Remarks
1004	0301 2335 00	2	Washer		3015	0663 2108 12	2	O-ring	
	1614 9515 80	1	Filter housing	1)	3020	0147 1379 03	8	Bolt	
1005	1614 9515 00	1	Filter housing			1614 9185 80	2	Oil stop valve	
1006	0266 2110 00	2	Nut		4010	1614 9185 00	1	Valve housing	
1009	1079 1472 06	7	Bolt		4015	0661 1000 25	1	Seal washer	
1010	1030 0979 00	2	Air filter		4020	0686 3716 01	1	Plug	
1015	1614 9587 02	1	Rod		4025	2254 9868 00	1	Compr.spring	
1016	1614 9587 03	1	Rod		4030	2252 6269 00	1	Spring guide	
1020	0147 1323 03	4	Bolt		4035	0335 2145 00	1	Int.circlip	
1025	0301 2358 00	2	Washer		4040	2255 2751 00	1	Valve	
1030	0296 1112 02	2	Wing nut		4045	2255 2813 00	1	Piston	
1035	1614 9516 00	1	Hose		4050	0663 2106 12	1	O-ring	
1040	1614 9887 00	1	Hose		4055	1614 9120 00	1	Cover	
1045	0347 6121 00	4	Hose clip		4060	0147 1325 03	4	Bolt	
2010	1614 6425 00	2	Housing						
2015	2254 8075 00	2	Compr.spring						
2020	2254 5324 00	2	Check valve						
2025	0661 1000 25	4	Seal washer						
2030	0686 3716 01	4	Plug						
2035	0663 2106 20	2	O-ring						
2040	0147 1417 03	8	Bolt						
3010	0663 2106 15	2	O-ring						

1) Lined with / Bekleed met / Beklädd med / Ausgekleidet mit / Garnir de / Rivestido de / Allineato con / Foret med / Revestido com / Kledd med / Vuorattu :
Foam: 0395 6001 69 (AR) 50 x 2040 x 1650

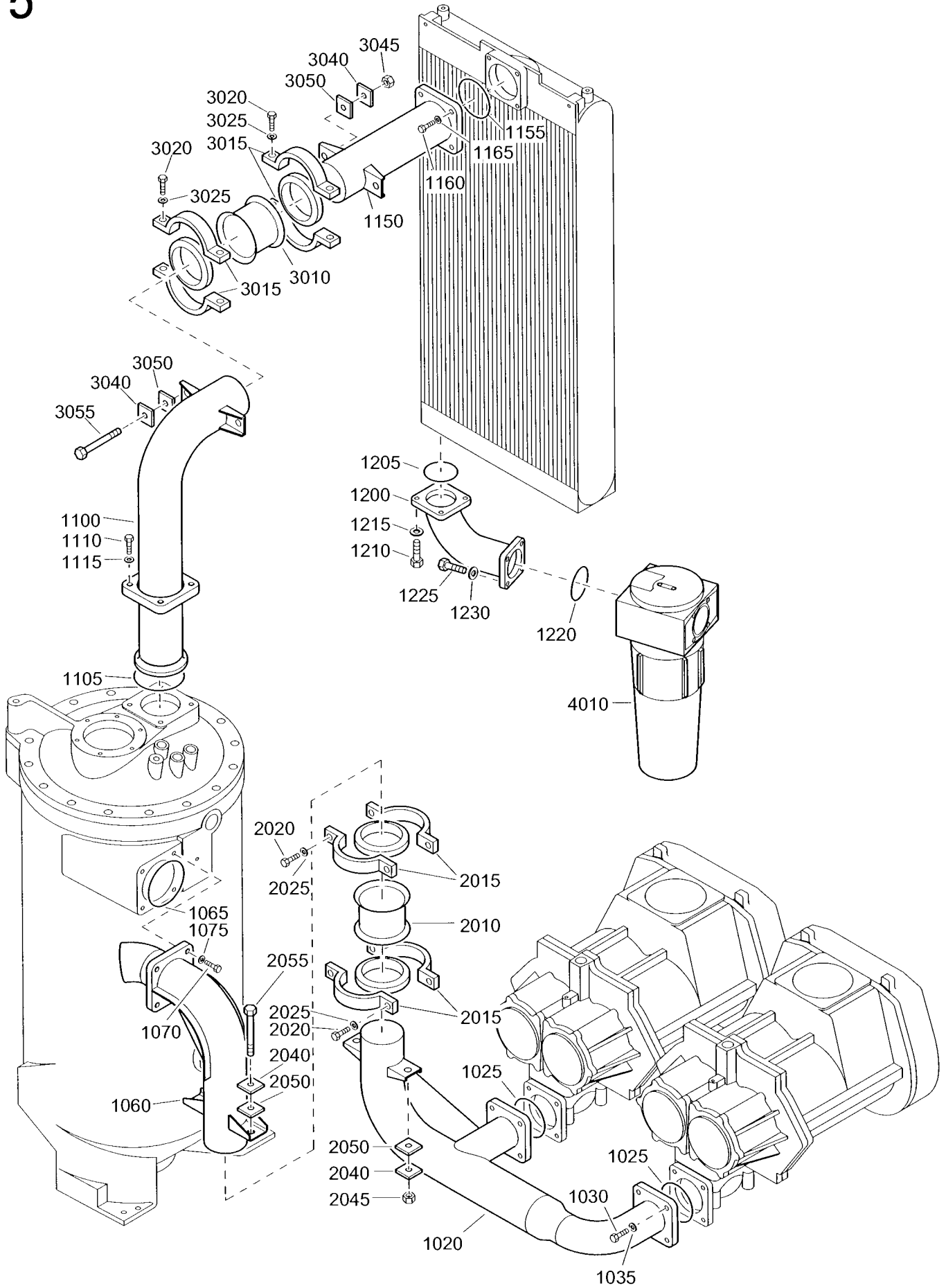
4



Air receiver

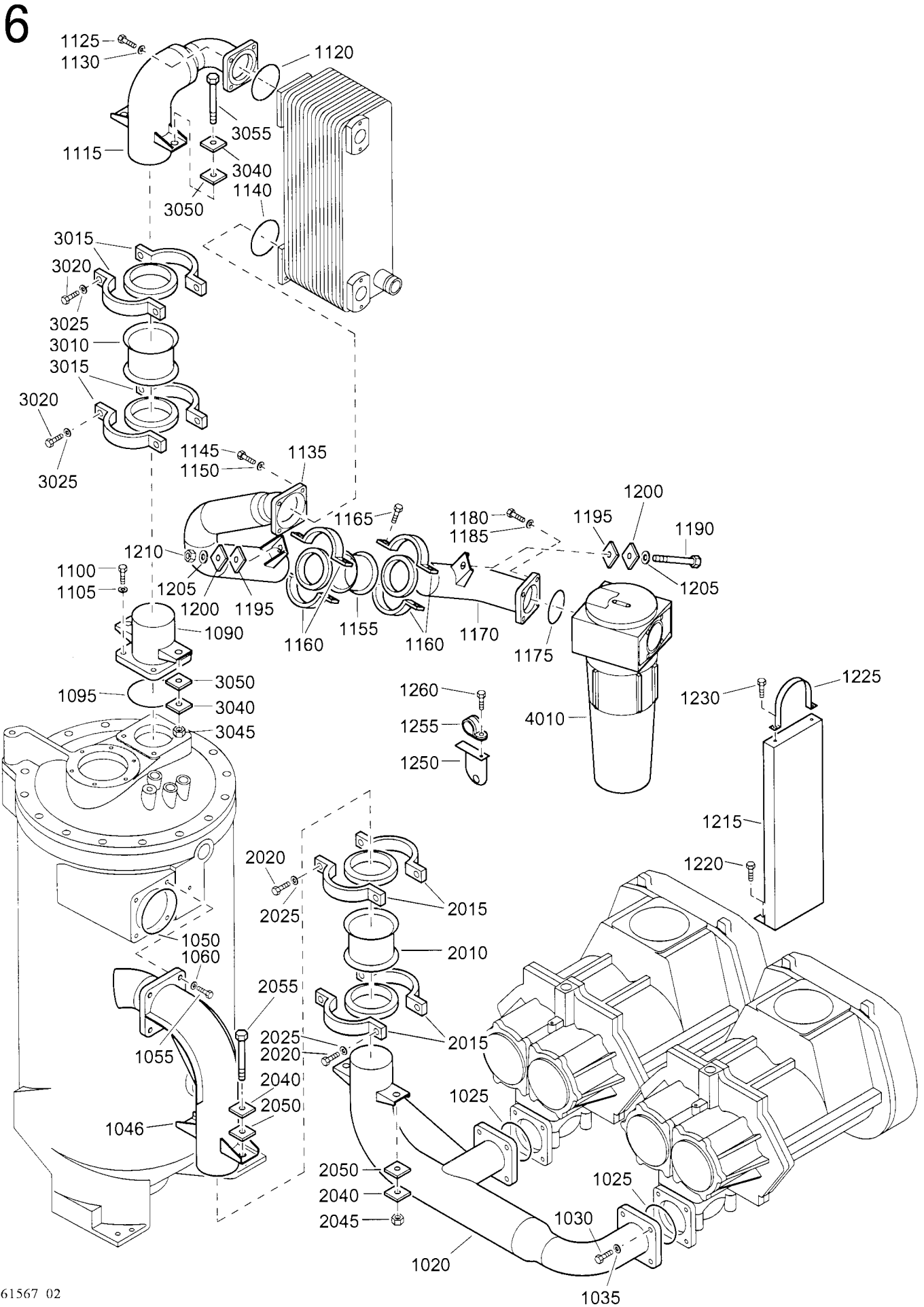
Ref.	Part number	Qty	Name	Remarks	Ref.	Part number	Qty	Name	Remarks
1010	1614 9541 00	3	Spacer		6018		1	Hexagon nipple	
1012	1614 9542 00	3	Buffer			0603 5125 03		GA200 10-13bar (CE), GA200 100-125-150-200psi (CE), GA200 (As,D,CHINA,SINGAPORE), GA250 13bar (CE), GA250 150-200psi (CE), GA250 (As,D,CHINA,SINGAPORE) Others	
1014	0333 3232 00	3	Lock washer						
1015	0147 1364 03	3	Bolt						
1035	0663 2106 58	1	O-ring						
1040	0147 1365 03	6	Bolt						
		1	Air receiver						
	1614 9518 80		CE						
	1614 9518 81		As						
	1614 9518 82		D, SINGAPORE						
	1614 9518 83		CHINA						
2005		• 1	Vessel		6020	0603 4108 03	1	Flat gasket	
	1614 9518 08		CE			0653 1189 00		GA200 10-13bar (CE), GA200 100-125-150-200psi (CE), GA200 (As,D,CHINA,SINGAPORE), GA250 13bar (CE), GA250 150-200psi (CE), GA250 (As,D,CHINA,SINGAPORE) Others	
	1614 9518 02		As						
	1614 9518 05		D, SINGAPORE						
	1614 9518 18		CHINA						
2010		• 1	Valve housing						
	1614 9522 08		CE						
	1614 9522 02		As						
	1614 9522 05		D, SINGAPORE						
	1614 9522 18		CHINA						
3020	0663 2109 45	1	O-ring			0653 1254 00		Others	
3030	0663 2109 45	1	O-ring		6025		1	Safety valve	
3035	1614 9089 00	1	Pivot pin			0830 1008 14		11bar T-As GA200 7.5-8.5bar (CE), GA250 7.5-8.5bar (CE)	
3050	0661 1000 31	1	Seal washer						
3055	2250 2528 00	1	Plug screw						
3090	0663 2106 20	1	O-ring			0830 1008 18		15bar T-As GA200 10-13bar (CE), GA200 100-125-150-200psi (CE), GA200 (As,D,CHINA,SINGAPORE), GA250 13bar (CE), GA250 150-200psi (CE), GA250 (As,D,CHINA,SINGAPORE) Others	
3095	1614 9003 00	1	Cover						
3100	0147 1962 29	11	Bolt						
4010	1614 9816 00	1	Shield						
4015	1614 9520 00	1	Bushing						
4025	1614 9521 00	1	Oil sep.clement						
4040	0147 1479 03	1	Bolt						
4045	1614 9184 00	1	Level gauge						
4060	1621 9144 00	1	Hose assembly						
4065	1614 9146 00	1	Plug						
4070	0661 1000 29	1	Seal washer			0830 1008 19		15bar T-As GA250 10bar (CE), GA250 100-125psi (CE), GA315 100-125-150-200psi (CE), GA315 (As,D,CHINA,SINGAPORE)	
4075	1614 9525 00	1	Suction pipe						
4080	0301 2394 00	16	Washer						
4085	0147 1962 38	16	Bolt						
	1614 9523 80	1	Min.press.valve						
5020	1614 7277 00	• 1	Piston						
5025	1619 6199 00	• 1	Sealring						
5030	1614 7276 00	• 1	Check valve		7015		2	Oil can	
5035	1614 7279 00	• 1	Washer			1613 6532 01		ROTO INJECT FLUID	
5040	1614 7281 00	• 1	Washer			1613 9546 00		HD-ROTOFLUID PLUS	
5045	2254 9215 00	• 1	Lockplate		7020		1	Label	
5050	0147 1322 03	• 3	Bolt			1079 9909 57		ROTO INJECT FLUID	
5055	1614 7280 00	• 1	Compr.spring			1079 9920 76		HD-ROTOFLUID PLUS	
5060	1614 9523 00	• 1	Cover						
5065	0147 1958 97	• 2	Bolt						
5066	0301 2335 00	• 2	Washer						
5070	1614 9524 00	• 1	Sleeve						
6015		1	Elbow						
	0560 0200 24		GA200 10-13bar (CE), GA200 100-125-150-200psi (CE), GA200 (As,D,CHINA,SINGAPORE), GA250 13bar (CE), GA250 150-200psi (CE), GA250 (As,D,CHINA,SINGAPORE) Others						
	0560 0200 56		Others						

5



Air and oil system - GA

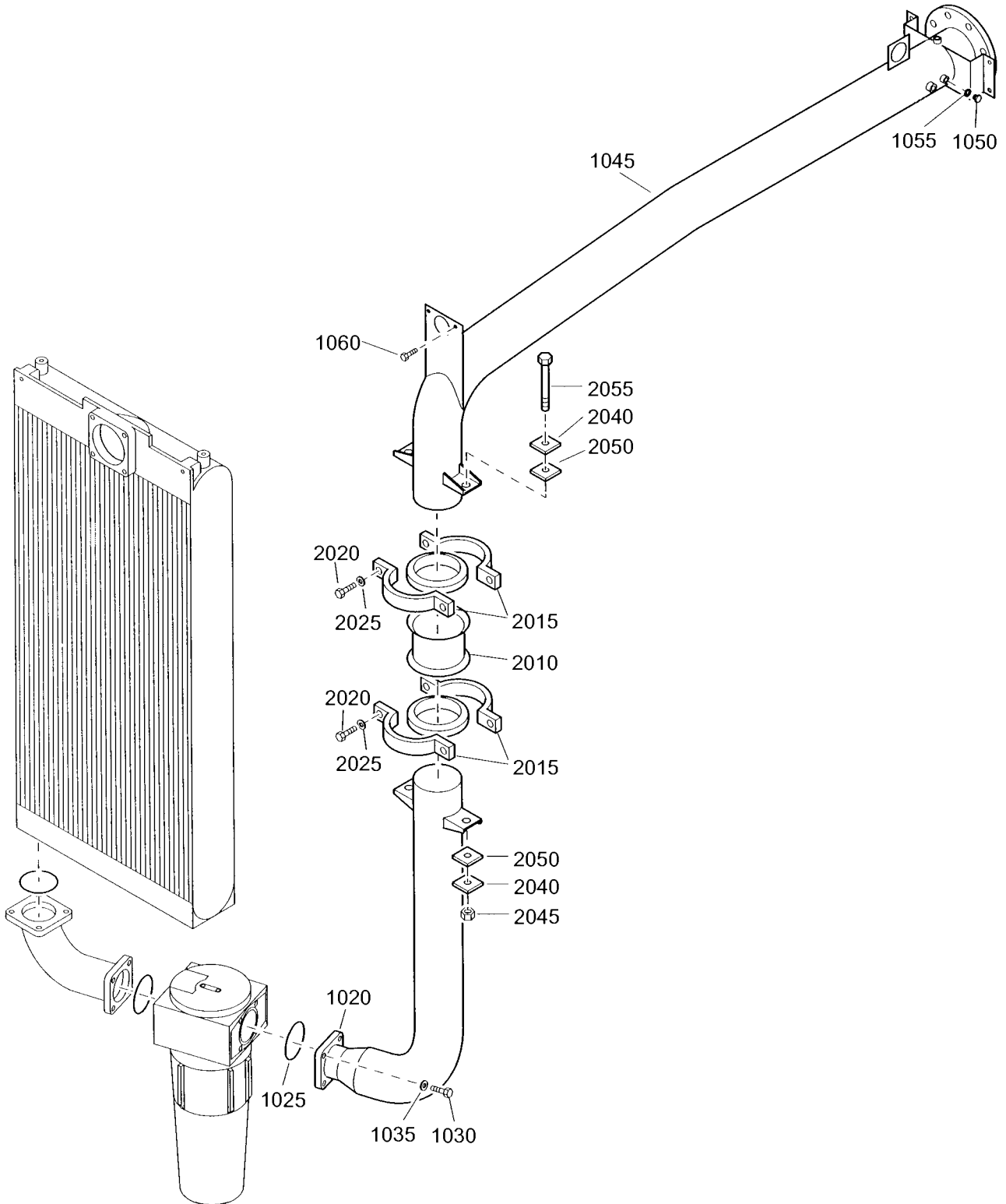
Ref.	Part number	Qty	Name	Remarks	Ref.	Part number	Qty	Name	Remarks
1020	1614 9769 00	1	Manifold		2010	1614 9512 00	1	Pipe	
1025	0663 2106 18	2	O-ring		2015	1614 9509 00	2	Connection	
1030	0147 1403 03	8	Bolt			1614 9513 00 •	1	Seal	
1035	0301 2358 00	8	Washer		2020	0147 1367 03	4	Bolt	
1060	1614 9847 00	1	Delivery pipe		2025	0301 2344 00	4	Washer	
1065	0663 2106 20	1	O-ring		2040	0306 2000 10	4	Washer	
1070	0147 1403 03	4	Bolt		2045	0291 1114 00	4	Locknut	
1075	0301 2358 00	4	Washer		2050	1614 8926 00	4	Absorber	
1100	1614 9918 00	1	Pipe		2055	0147 1503 03	2	Bolt	
1105	0663 2106 19	1	O-ring		3010	1614 9512 00	1	Pipe	
1110	0147 1404 03	4	Bolt		3015	1614 9509 00	2	Connection	
1115	0301 2358 00	4	Washer			1614 9513 00 •	1	Seal	
1150	1614 9531 00	1	Pipe		3020	0147 1367 03	4	Bolt	
1155	0663 2106 19	1	O-ring		3025	0301 2344 00	4	Washer	
1160	0147 1403 03	4	Bolt		3040	0306 2000 10	4	Washer	
1165	0301 2358 00	4	Washer		3045	0291 1114 00	4	Locknut	
1200	1614 9448 00	1	Pipe		3050	1614 8926 00	4	Absorber	
1205	0663 2106 15	1	O-ring		3055	0147 1503 03	2	Bolt	
1210	0147 1364 03	4	Bolt		4010		1	Water separator	
1215	0301 2344 00	4	Washer			1613 9463 81		Electronic Condensate	
1220	0663 2109 69	1	O-ring					Drain	
1225	0211 1401 03	4	Cap screw			1613 9463 80		Others	
1230	0301 2358 00	4	Washer						



Air and oil system - GA W

Ref.	Part number	Qty	Name	Remarks	Ref.	Part number	Qty	Name	Remarks
1020	1614 9769 00	1	Manifold		1205	0301 2344 00	4	Washer	
1025	0663 2106 18	2	O-ring		1210	0291 1114 00	4	Locknut	
1030	0147 1403 03	8	Bolt		1215	1614 9909 00	1	Support	
1035	0301 2358 00	8	Washer		1220	1619 2766 00	2	Bolt	
1046	1614 9847 00	1	Delivery pipe		1225	1614 9910 00	1	Support	
1050	0663 2106 20	1	O-ring		1230	1619 2766 00	2	Bolt	
1055	0147 1403 03	4	Bolt		1250	1614 9772 00	2	Support	
1060	0301 2358 00	4	Washer		1255	0346 1000 27	2	Pipe clamp	
1090	1614 9788 00	1	Pipe		1260	1619 2766 00	2	Bolt	
1095	0663 2106 20	1	O-ring		2010	1614 9512 00	1	Pipe	
1100	0147 1404 03	4	Bolt		2015	1614 9509 00	2	Connection	
1105	0301 2358 00	4	Washer			1614 9513 00 •	1	Seal	
1115	1614 9548 00	1	Pipe		2020	0147 1367 03	4	Bolt	
1120	0663 2106 17	1	O-ring		2025	0301 2344 00	4	Washer	
1125	0147 1363 03	4	Bolt		2040	0306 2000 10	4	Washer	
1130	0301 2344 00	4	Washer		2045	0291 1114 00	4	Locknut	
1135	1614 9789 00	1	Pipe		2050	1614 8926 00	4	Absorber	
1140	0663 2106 17	1	O-ring		2055	0147 1503 03	2	Bolt	
1145	0147 1363 03	4	Bolt		3010	1614 9512 00	1	Pipe	
1150	0301 2344 00	4	Washer		3015	1614 9509 00	2	Connection	
1155	1614 9066 00	1	Pipe			1614 9513 00 •	1	Seal	
1160	1614 9063 00	2	Joint set		3020	0147 1367 03	4	Bolt	
	1614 9064 00 •	1	Seal		3025	0301 2344 00	4	Washer	
1165	0147 1369 03	4	Bolt		3040	0306 2000 10	4	Washer	
1170	1614 9727 00	1	Pipe		3045	0291 1114 00	4	Locknut	
1175	0663 2109 69	1	O-ring		3050	1614 8926 00	4	Absorber	
1180	0211 1401 03	4	Cap screw		3055	0147 1503 03	2	Bolt	
1185	0301 2358 00	4	Washer		4010		1	Water separator	
1190	0147 1501 03	2	Bolt			1613 9463 81		Electronic Condensate	
1195	1614 8926 00	4	Absorber					Drain	
1200	0300 0276 03	4	Washer			1613 9463 80		Others	

7

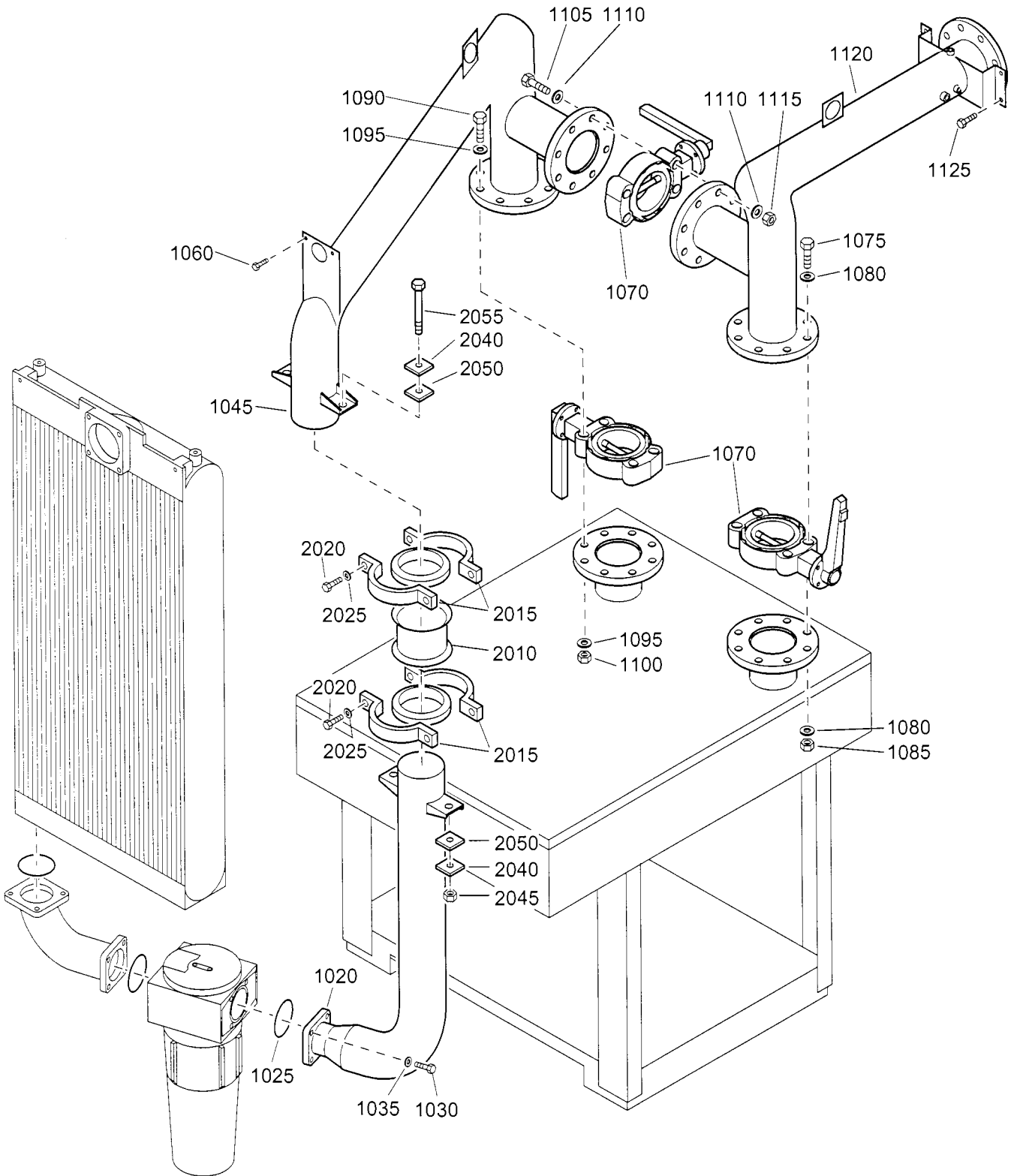


Air outlet - Pack

7

Ref.	Part number	Qty	Name	Remarks	Ref.	Part number	Qty	Name	Remarks
1020	1614 9717 00	1	Pipe		2010	1614 9512 00	1	Pipe	
1025	0663 2109 69	1	O-ring		2015	1614 9509 00	2	Connection	
1030	0211 1401 03	4	Cap screw			1614 9513 00	1	Seal	
1035	0301 2358 00	4	Washer		2020	0147 1367 03	4	Bolt	
1045		1	Pipe		2025	0301 2344 00	4	Washer	
	1614 9714 00		ISO (DIN)		2040	0306 2000 10	4	Washer	
	1614 9746 00		ANSI (USA, Canada)		2045	0291 1114 00	4	Locknut	
1050	0686 3716 01	1	Plug		2050	1614 8926 00	4	Absorber	
1055	0653 1062 00	1	Flat gasket		2055	0147 1503 03	2	Bolt	
1060	1079 1472 06	6	Bolt						

8

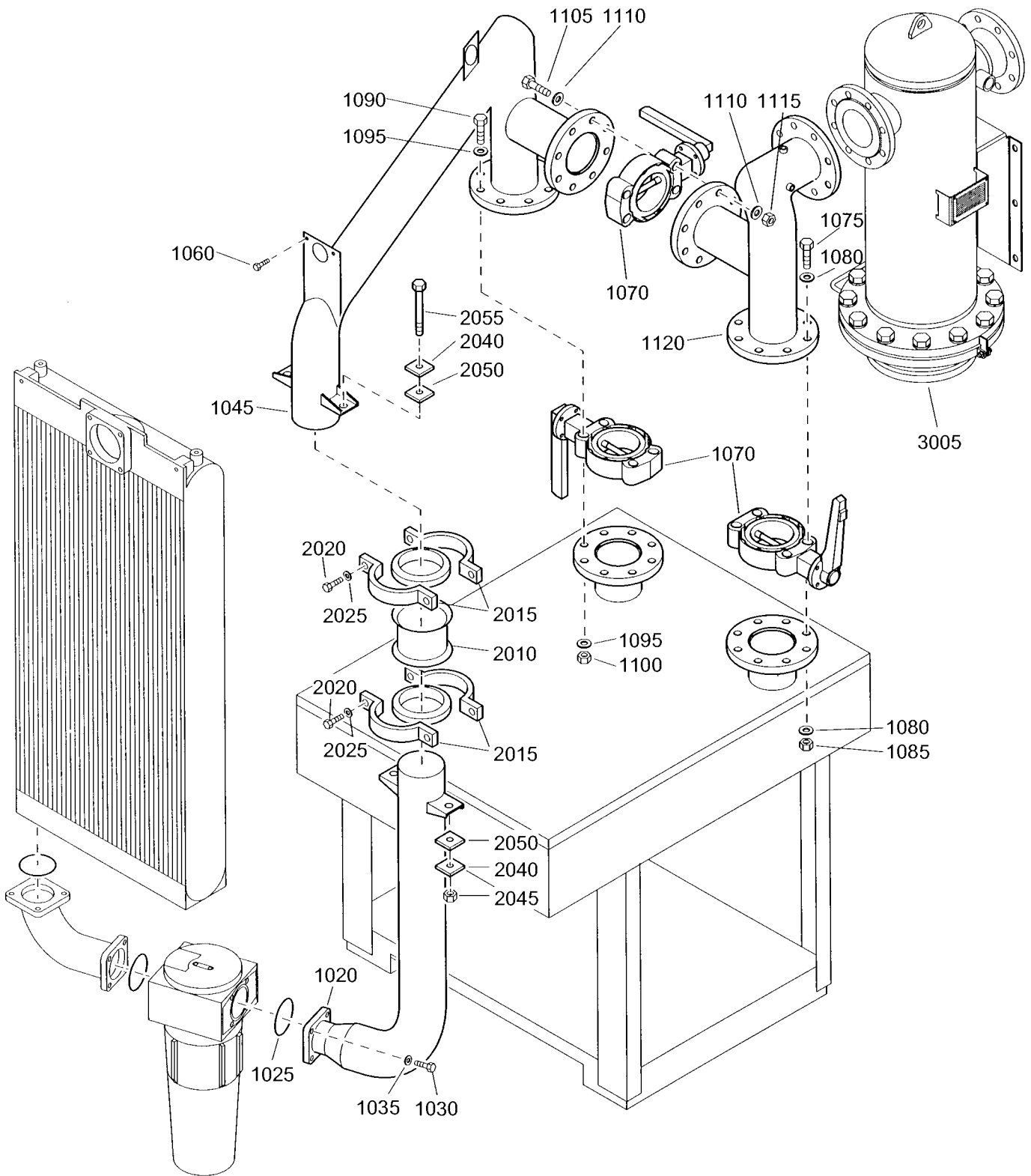


Air outlet - Full-feature

8

Ref.	Part number	Qty	Name	Remarks	Ref.	Part number	Qty	Name	Remarks
1020	1614 9717 00	1	Pipe		1115	0266 2114 00	8	Nut	
1025	0663 2109 69	1	O-ring		1120		1	Pipe	
1030	0211 1401 03	4	Cap screw			1614 9715 00		ISO (DIN)	
1035	0301 2358 00	4	Washer			1614 9733 00		ANSI (USA, Canada)	
1045	1614 9650 00	1	Pipe		1125	1079 1472 06	4	Bolt	
1060	1079 1472 06	2	Bolt		2010	1614 9512 00	1	Pipe	
1070	1614 9709 00	3	Valve		2015	1614 9509 00	2	Connection	
1075	0147 1493 03	8	Bolt			1614 9513 00	1	Seal	
1080	0301 2378 00	16	Washer		2020	0147 1367 03	4	Bolt	
1085	0266 2114 00	8	Nut		2025	0301 2344 00	4	Washer	
1090	0147 1493 03	8	Bolt		2040	0306 2000 10	4	Washer	
1095	0301 2378 00	16	Washer		2045	0291 1114 00	4	Locknut	
1100	0266 2114 00	8	Nut		2050	1614 8926 00	4	Absorber	
1105	0147 1492 03	8	Bolt		2055	0147 1503 03	2	Bolt	
1110	0301 2378 00	16	Washer						

9

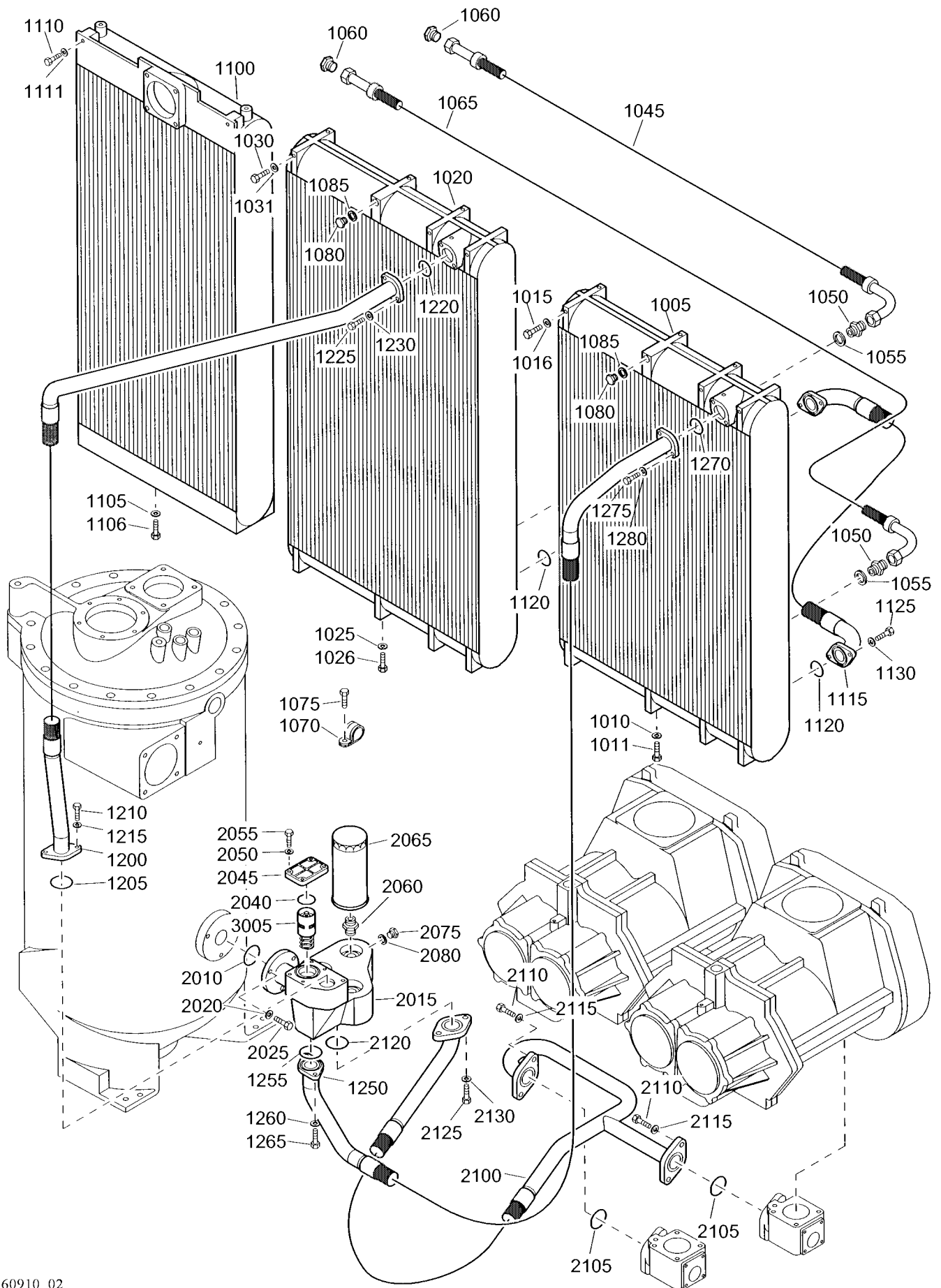


Air outlet - Full-feature + DD filter

9

Ref.	Part number	Qty	Name	Remarks	Ref.	Part number	Qty	Name	Remarks
1020	1614 9717 00	1	Pipe		2010	1614 9512 00	1	Pipe	
1025	0663 2109 69	1	O-ring		2015	1614 9509 00	2	Connection	
1030	0211 1401 03	4	Cap screw			1614 9513 00 •	1	Seal	
1035	0301 2358 00	4	Washer		2020	0147 1367 03	4	Bolt	
1045	1614 9650 00	1	Pipe		2025	0301 2344 00	4	Washer	
1060	1079 1472 06	2	Bolt		2040	0306 2000 10	4	Washer	
1070	1614 9709 00	3	Valve		2045	0291 1114 00	4	Locknut	
1075	0147 1493 03	8	Bolt		2050	1614 8926 00	4	Absorber	
1080	0301 2378 00	16	Washer		2055	0147 1503 03	2	Bolt	
1085	0266 2114 00	8	Nut		3005		1	DD filter	
1090	0147 1493 03	8	Bolt			1617 7174 82		As	
1095	0301 2378 00	16	Washer			1617 7174 85		D, SINGAPORE	
1100	0266 2114 00	8	Nut			1617 7174 98		CHINA	
1105	0147 1492 03	8	Bolt			1617 7073 03 •	4	Filter element	
1110	0301 2378 00	16	Washer						
1115	0266 2114 00	8	Nut						
1120		1	Pipe						
	1614 9716 00		(CE)						
	1614 9874 00		(D, As, CHINA, SINGAPORE)						

10

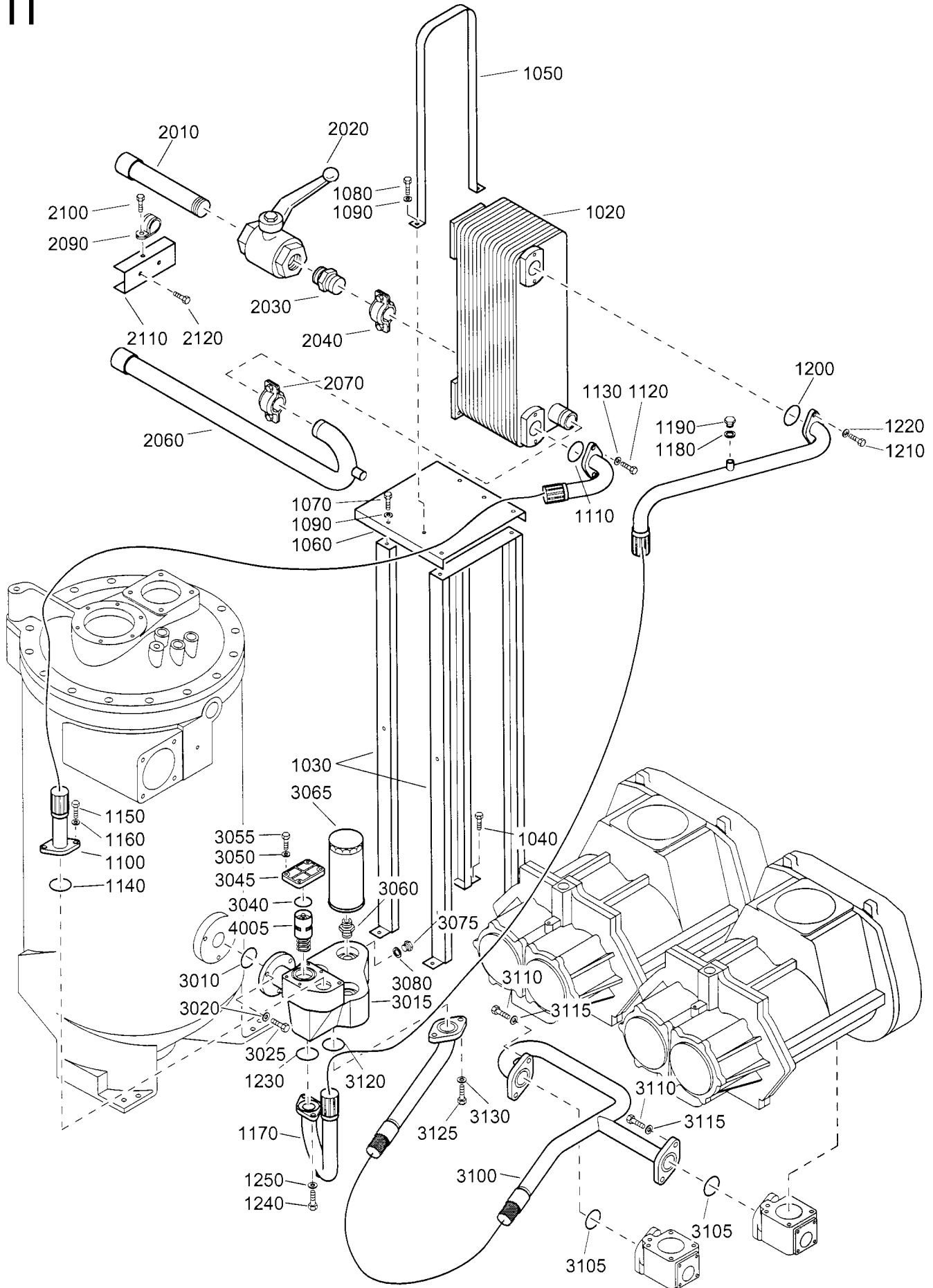


Coolers - GA

10

Ref.	Part number	Qty	Name	Remarks	Ref.	Part number	Qty	Name	Remarks
1005	1614 9588 00	1	Oil cooler		1260	0147 1362 03	2	Bolt	
1010	0147 1360 03	3	Bolt		1265	0301 2344 00	2	Washer	
1011	0301 2344 00	3	Washer		1270	0663 2109 68	1	O-ring	
1015	0147 1360 03	3	Bolt		1275	0147 1362 03	2	Bolt	
1016	0301 2344 00	3	Washer		1280	0301 2344 00	2	Washer	
1020	1614 9589 00	1	Oil cooler		2010	0663 2107 77	1	O-ring	
1025	0147 1360 03	3	Bolt		2015	1614 9006 01	1	Oil filter housing	
1026	0301 2344 00	3	Washer		2020	0301 2344 00	3	Washer	
1030	0147 1360 03	3	Bolt		2025	0147 1363 03	3	Bolt	
1031	0301 2344 00	3	Washer		2040	0663 2107 77	1	O-ring	
1045	0574 8235 42	1	Hose assembly		2045	1614 9007 00	1	Cover	
1050	1079 5840 15	2	Nipple		2050	0301 2335 00	4	Washer	
1055	0661 1000 27	2	Seal washer		2055	0147 1325 03	4	Bolt	
1060	1614 9252 00	2	Plug		2060		3	Nipple	
1065	0574 8235 56	1	Hose assembly			1614 7062 00		7.5bar(c), 8.5bar(c), 10bar(c), 100psig, 125psig, 150psig	
1070	0348 0102 06	2	Clamp			1614 8076 00		13bar(c), 200psig	
1075	1619 5337 01	2	Bolt		2065	1614 7273 00	3	Oil filter	
1080	0686 3716 02	2	Plug			1614 8065 00		7.5bar(c), 8.5bar(c), 10bar(c), 100psig, 125psig, 150psig	
1085	0661 1000 27	2	Seal washer		2075	0686 3716 01	1	Plug	
1100	1614 9590 00	1	Aftercooler		2080	0661 1000 25	1	Seal washer	
1105	0147 1360 03	3	Bolt		2100	1614 9634 00	1	Pipe	
1106	0301 2344 00	3	Washer		2105	0663 2106 11	2	O-ring	
1110	0147 1360 03	2	Bolt		2110	0147 1402 03	4	Bolt	
1111	0301 2344 00	2	Washer		2115	0301 2358 00	4	Washer	
1115	1614 9636 00	1	Hose assembly		2120	0663 2109 68	1	O-ring	
1120	0663 2109 68	2	O-ring		2125	0147 1363 03	2	Bolt	
1125	0147 1363 03	4	Bolt		2130	0301 2344 00	2	Washer	
1130	0301 2344 00	4	Washer		3005		1	Thermostatic valve	
1200	1614 9638 00	1	Hose assembly			1619 7560 00		7.5bar(c), 8.5bar(c), 10bar(c), 100psig, 125psig, 150psig	
1205	0663 2109 68	1	O-ring			1202 5869 03		13bar(c), 200psig	
1210	0147 1362 03	2	Bolt						
1215	0301 2344 00	2	Washer						
1220	0663 2109 68	1	O-ring						
1225	0147 1363 03	2	Bolt						
1230	0301 2344 00	2	Washer						
1250	1614 9635 00	1	Hose assembly						
1255	0663 2109 68	1	O-ring						

11

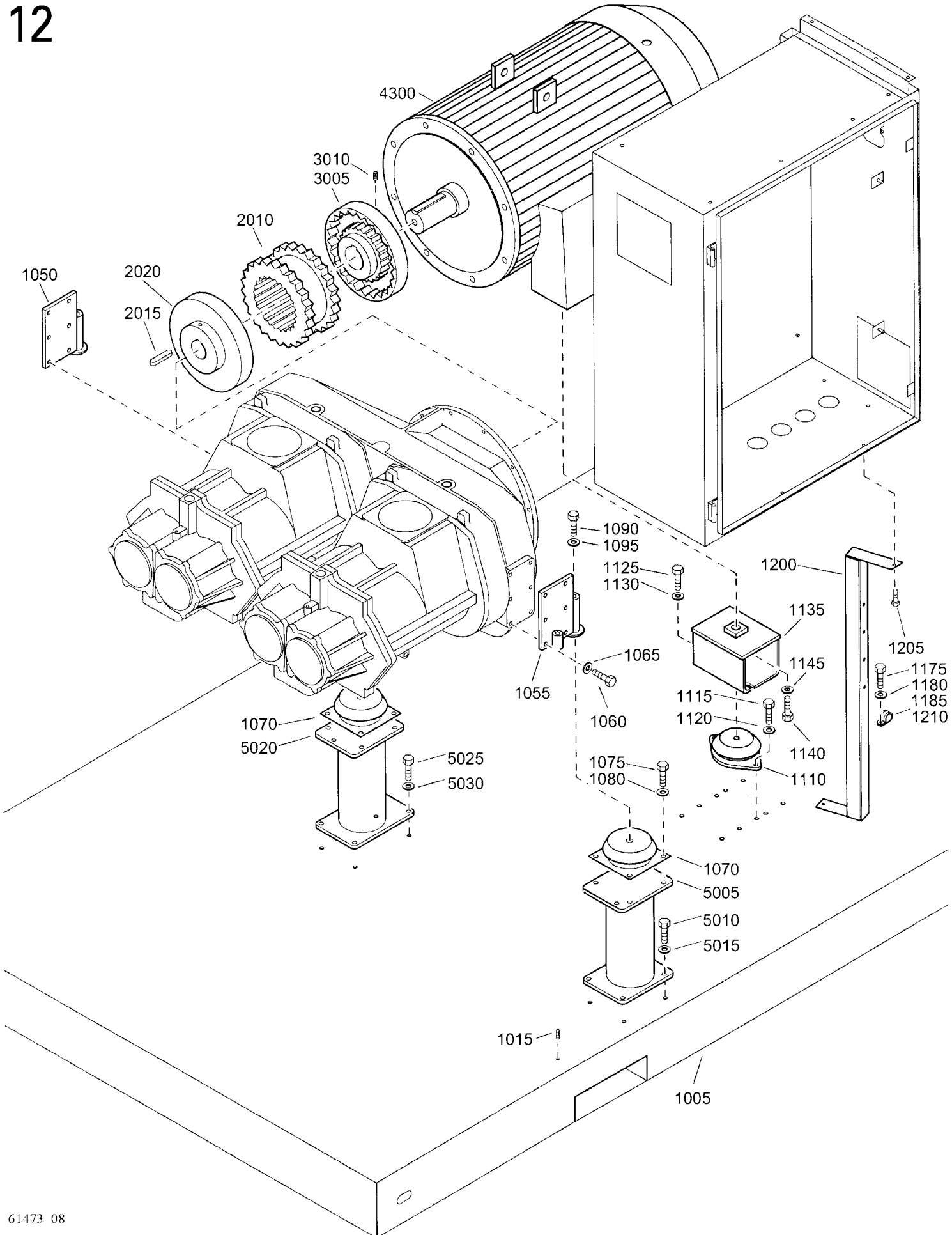


Coolers - GA W

11

Ref.	Part number	Qty	Name	Remarks	Ref.	Part number	Qty	Name	Remarks
1020	1614 9543 00	1	Cooler		2100	1619 5337 01	2	Bolt	
1030	1614 9734 00	2	Support		2110	1614 9560 00	1	Support	
1040	1619 2766 00	4	Bolt		2120	1619 2766 00	2	Bolt	
1050	1614 9567 00	1	Support		3010	0663 2107 77	1	O-ring	
1060	1614 9735 00	1	Plate		3015	1614 9006 01	1	Oil filter housing	
1070	0147 1323 03	4	Bolt		3020	0301 2344 00	3	Washer	
1080	0147 1325 03	2	Bolt		3025	0147 1363 03	3	Bolt	
1090	0301 2335 00	6	Washer		3040	0663 2107 77	1	O-ring	
1100	1614 9552 00	1	Hose assembly		3045	1614 9007 00	1	Cover	
1110	0663 2109 68	1	O-ring		3050	0301 2335 00	4	Washer	
1120	0147 1362 03	2	Bolt		3055	0147 1325 03	4	Bolt	
1130	0301 2344 00	2	Washer		3060		3	Nipple	
1140	0663 2109 68	1	O-ring			1614 7062 00		7.5bar(c), 8.5bar(c), 10bar(c),	
1150	0147 1363 03	2	Bolt					100psig, 125psig, 150psig	
1160	0301 2344 00	2	Washer			1614 8076 00		13bar(c), 200psig	
1170	1614 9901 00	1	Hose assembly		3065		3	Oil filter	
1180	0661 1000 25	2	Seal washer			1614 7273 00		7.5bar(c), 8.5bar(c), 10bar(c),	
1190	0686 3716 01	2	Plug					100psig, 125psig, 150psig	
1200	0663 2109 68	1	O-ring					13bar(c), 200psig	
1210	0147 1363 03	2	Bolt			1614 8065 00			
1220	0301 2344 00	2	Washer		3075	0686 3716 01	1	Plug	
1230	0663 2109 68	1	O-ring		3080	0661 1000 25	1	Seal washer	
1240	0147 1363 03	2	Bolt		3100	1614 9634 00	1	Pipe	
1250	0301 2344 00	2	Washer		3105	0663 2106 11	2	O-ring	
2010		1	Pipe		3110	0147 1402 03	4	Bolt	
	1614 9558 00		Without dryer		3115	0301 2358 00	4	Washer	
	1614 9555 00		With dryer		3120	0663 2109 68	1	O-ring	
2020	1619 6153 08	1	Ball valve		3125	0147 1363 03	2	Bolt	
2030	1614 9274 00	1	Pipe		3130	0301 2344 00	2	Washer	
2040	0634 1000 27	1	Pipe coupling		4005		1	Thermostatic valve	
2060		1	Pipe			1619 7560 00		7.5bar(c), 8.5bar(c), 10bar(c),	
	1614 9773 00		Without dryer					100psig, 125psig, 150psig	
	1614 9774 00		With dryer					13bar(c), 200psig	
2070	0634 1000 27	1	Pipe coupling						
2090	0346 1005 19	2	Pipe clamp			1202 5869 03			

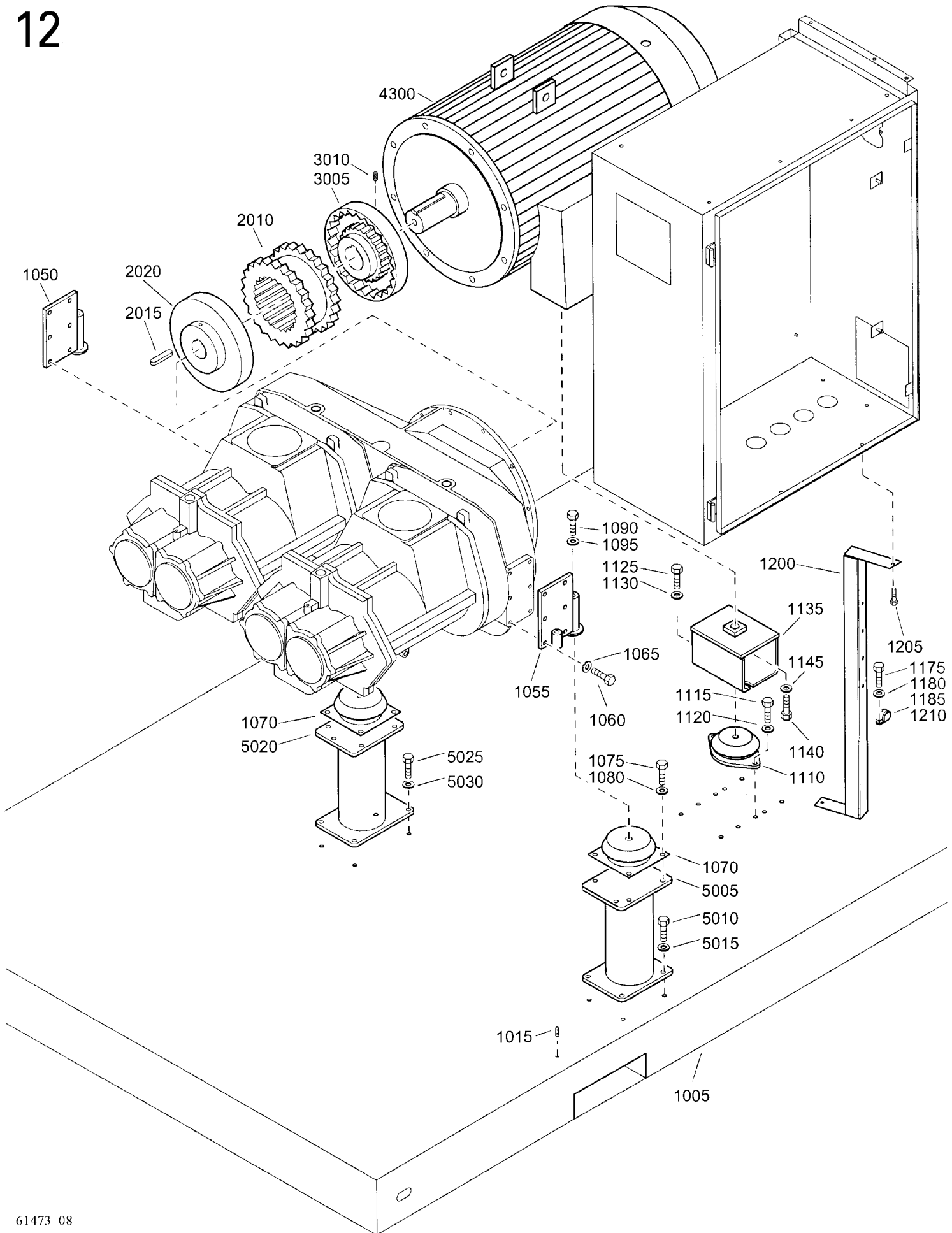
12



Frame and coupling

Ref.	Part number	Qty	Name	Remarks	Ref.	Part number	Qty	Name	Remarks
1005	1614 9526 00	1	Frame		1619 5318 02	2	GA200 ABB 3kV/50Hz		
1015	1614 9851 00	7	Pin				GA200 ABB 3.3kV/50Hz		
1050	1614 9888 00	1	Support				GA200 ABB 6kV/50Hz		
1055	1614 9889 00	1	Support				GA200 ABB 3.3kV/60Hz		
1060	0147 1402 03	12	Bolt				GA200 ABB 4.16kV/60Hz		
1065	0301 2358 00	12	Washer				GA200 ABB 6.6kV/60Hz		
1070		2	Antivibration pad				GA250 ABB 3kV/50Hz		
	1612 5584 00		GA200 Siemens 440-460V/ 60Hz				GA250 ABB 3.3V/50Hz		
			GA200 Siemens 575V/60Hz				GA250 ABB 6kV/50Hz		
	1614 6366 02		GA200 ABB 380-415V/ 50Hz				GA250 ABB 3.3kV/60Hz		
			GA200 ABB 500V/50Hz				GA250 ABB 4.13kV/60Hz		
			GA200 ABB 380V/60Hz				GA250 ABB 6.6kV/60Hz		
			GA200 ABB 440-460V/ 60Hz		1619 5318 02	1	GA200 Siemens 440-460V/ 60Hz		
	1614 6366 02		GA250 ABB 380-415V/ 50Hz				GA200 Siemens 575V/60Hz		
			GA250 ABB 500V/50Hz		1619 5318 01	1	GA250 Siemens 440-460V/ 60Hz		
			GA250 ABB 380V/60Hz				GA250 Siemens 575V/60Hz		
			GA250 ABB 440-460V/ 60Hz				GA315 Siemens 440-460V/ 60Hz		
			GA315 ABB 380V/60Hz				GA315 Siemens 575V/60Hz		
			GA315 ABB 440-460V/ 60Hz		1115	2	Bolt		
	1614 6366 02		GA200 ABB 3kV/50Hz				GA200 ABB 380-415V/50Hz		
			GA200 ABB 3.3kV/50Hz		0147 1402 03		GA200 ABB 500V/50Hz		
			GA200 ABB 6kV/50Hz				GA200 ABB 380V/60Hz		
			GA200 ABB 3.3kV/60Hz				GA200 ABB 440-460V/60Hz		
			GA200 ABB 4.16kV/60Hz		0147 1402 03	2	GA250 ABB 380-415V/50Hz		
			GA200 ABB 6.6kV/60Hz				GA250 ABB 500V/50Hz		
			GA250 ABB 3kV/50Hz				GA250 ABB 380V/60Hz		
			GA250 ABB 3.3V/50Hz				GA250 ABB 440-460V/60Hz		
			GA250 ABB 6kV/50Hz				GA315 ABB 380V/60Hz		
			GA250 ABB 3.3kV/60Hz				GA315 ABB 440-460V/60Hz		
			GA250 ABB 4.13kV/60Hz		0147 1402 03	4	GA200 ABB 3kV/50Hz		
			GA250 ABB 6.6kV/60Hz				GA200 ABB 3.3kV/50Hz		
			GA315 ABB 3.3kV/60Hz				GA200 ABB 6kV/50Hz		
			GA315 ABB 4.13kV/60Hz				GA200 ABB 3.3kV/60Hz		
			GA315 ABB 6.6kV/60Hz				GA200 ABB 4.16kV/60Hz		
	1614 6366 02		GA250 Siemens 440-460V/ 60Hz				GA200 ABB 6.6kV/60Hz		
			GA250 Siemens 575V/60Hz				GA250 ABB 3kV/50Hz		
			GA315 Siemens 440-460V/ 60Hz				GA250 ABB 3.3V/50Hz		
			GA315 Siemens 575V/60Hz				GA250 ABB 6kV/50Hz		
1075	0147 1401 03	8	Bolt				GA250 ABB 3.3kV/60Hz		
1080	0301 2358 00	8	Washer				GA250 ABB 4.13kV/60Hz		
1090	0147 1568 03	2	Bolt				GA315 ABB 4.13kV/60Hz		
1095	0300 0274 13	2	Washer				GA315 ABB 6.6kV/60Hz		
1110			Antivibration pad		0147 1402 03	2	GA200 Siemens 440-460V/ 60Hz		
	1619 5318 02	1	GA200 ABB 380-415V/ 50Hz				GA200 Siemens 575V/60Hz		
			GA200 ABB 500V/50Hz		0147 1402 03	2	GA250 Siemens 440-460V/ 60Hz		
			GA200 ABB 380V/60Hz				GA250 Siemens 575V/60Hz		
			GA200 ABB 440-460V/ 60Hz				GA315 Siemens 440-460V/ 60Hz		
	1619 5318 01	1	GA250 ABB 380-415V/ 50Hz				GA315 Siemens 575V/60Hz		
			GA250 ABB 500V/50Hz		1120		Washer		
			GA250 ABB 380V/60Hz		0301 2358 00	2	GA200 ABB 380-415V/50Hz		
			GA250 ABB 440-460V/ 60Hz				GA200 ABB 500V/50Hz		
			GA315 ABB 380V/60Hz				GA200 ABB 380V/60Hz		
			GA315 ABB 440-460V/ 60Hz		0301 2358 00	2	GA200 ABB 440-460V/60Hz		
							GA250 ABB 380-415V/50Hz		

12

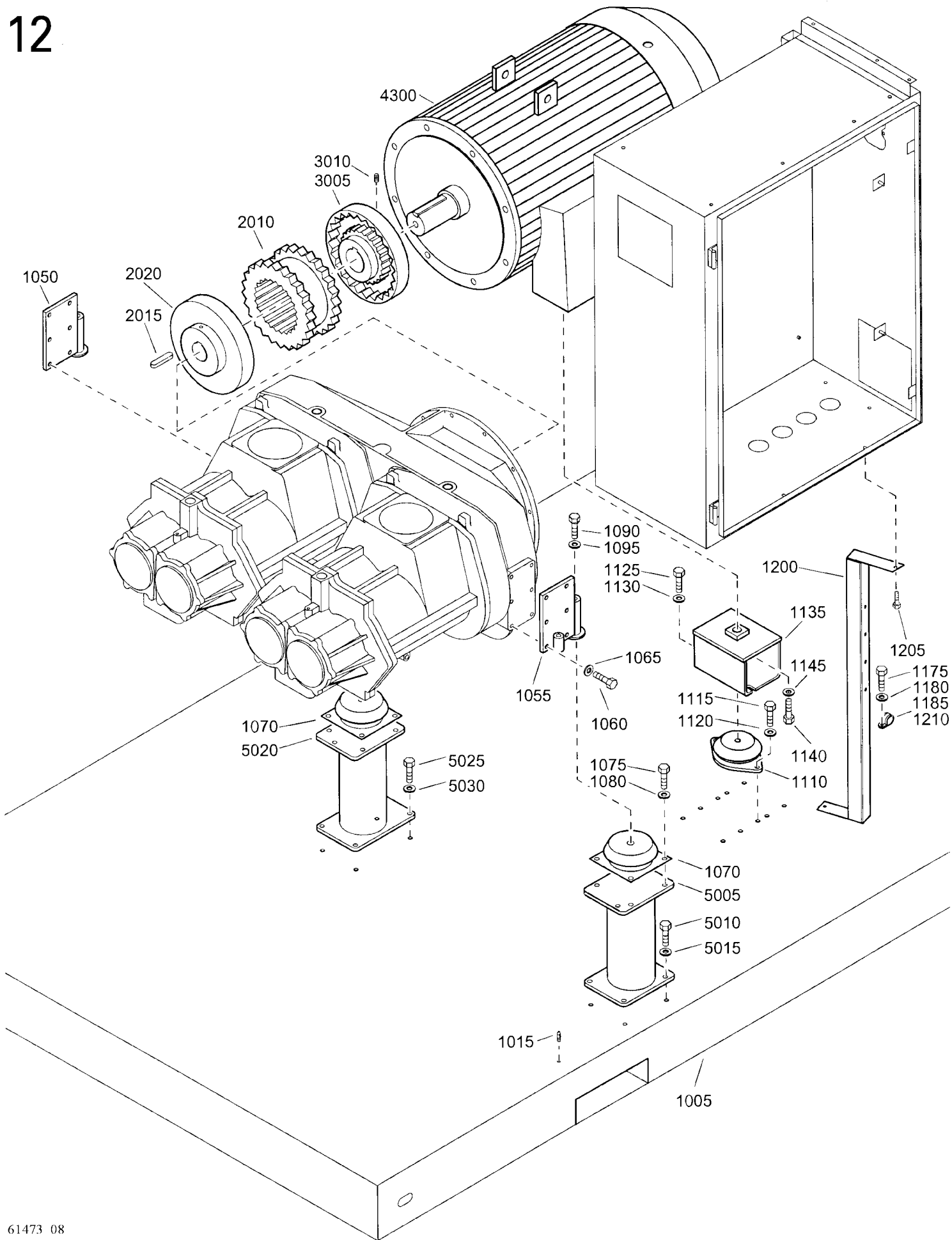


Frame and coupling

12

Ref.	Part number	Qty	Name	Remarks	Ref.	Part number	Qty	Name	Remarks
			GA250 ABB 500V/50Hz		0301	2378 00		GA200 ABB 380-415V/50Hz	
			GA250 ABB 380V/60Hz					GA200 ABB 500V/50Hz	
			GA250 ABB 440-460V/60Hz					GA200 ABB 380V/60Hz	
			GA315 ABB 380V/60Hz					GA200 ABB 440-460V/60Hz	
			GA315 ABB 440-460V/60Hz		0301	2378 00	1	GA250 ABB 380-415V/50Hz	
	0301 2358 00	4	GA200 ABB 3kV/50Hz					GA250 ABB 500V/50Hz	
			GA200 ABB 3,3kV/50Hz					GA250 ABB 380V/60Hz	
			GA200 ABB 6kV/50Hz					GA250 ABB 440-460V/60Hz	
			GA200 ABB 3,3kV/60Hz					GA315 ABB 380V/60Hz	
			GA200 ABB 4,16kV/60Hz		0301	2378 00	2	GA315 ABB 440-460V/60Hz	
			GA200 ABB 6,6kV/60Hz					GA200 ABB 3kV/50Hz	
			GA250 ABB 3kV/50Hz					GA200 ABB 3,3kV/50Hz	
			GA250 ABB 3,3V/50Hz					GA200 ABB 6kV/50Hz	
			GA250 ABB 6kV/50Hz					GA200 ABB 3,3kV/60Hz	
			GA250 ABB 3,3kV/60Hz					GA200 ABB 4,16kV/60Hz	
			GA250 ABB 4,13kV/60Hz					GA200 ABB 6,6kV/60Hz	
			GA250 ABB 6,6kV/60Hz					GA250 ABB 3kV/50Hz	
			GA315 ABB 3,3kV/60Hz					GA250 ABB 3,3V/50Hz	
			GA315 ABB 4,13kV/60Hz					GA250 ABB 6kV/50Hz	
			GA315 ABB 6,6kV/60Hz					GA250 ABB 3,3kV/60Hz	
	0301 2358 00	2	GA200 Siemens 440-460V/60Hz					GA250 ABB 4,13kV/60Hz	
			GA200 Siemens 575V/60Hz					GA250 ABB 6,6kV/60Hz	
	0301 2358 00	2	GA250 Siemens 440-460V/60Hz					GA315 ABB 3,3kV/60Hz	
			GA250 Siemens 575V/60Hz		0301	2378 00	1	GA315 ABB 4,13kV/60Hz	
			GA315 Siemens 440-460V/60Hz					GA315 ABB 6,6kV/60Hz	
			GA315 Siemens 575V/60Hz		0301	2378 00	1	GA200 Siemens 440-460V/60Hz	
1125			Bolt					GA200 Siemens 575V/60Hz	
	0147 1475 03	1	GA200 ABB 380-415V/50Hz					GA250 Siemens 440-460V/60Hz	
			GA200 ABB 500V/50Hz					GA315 Siemens 440-460V/60Hz	
			GA200 ABB 380V/60Hz					GA315 Siemens 575V/60Hz	
			GA200 ABB 440-460V/60Hz		1135		1	Support	
	0147 1475 03	1	GA250 ABB 380-415V/50Hz					GA200 ABB 380-415V/50Hz	
			GA250 ABB 500V/50Hz		1614	9653 00		GA200 ABB 500V/50Hz	
			GA250 ABB 380V/60Hz					GA200 ABB 380V/60Hz	
			GA250 ABB 440-460V/60Hz					GA200 ABB 440-460V/60Hz	
			GA315 ABB 380V/60Hz					GA250 ABB 380-415V/50Hz	
			GA315 ABB 440-460V/60Hz		1614	9653 00		GA250 ABB 500V/50Hz	
	0147 1475 03	2	GA200 ABB 3kV/50Hz					GA250 ABB 380V/60Hz	
			GA200 ABB 3,3kV/50Hz					GA250 ABB 440-460V/60Hz	
			GA200 ABB 6kV/50Hz					GA315 ABB 380V/60Hz	
			GA200 ABB 3,3kV/60Hz					GA315 ABB 440-460V/60Hz	
			GA200 ABB 4,16kV/60Hz					GA200 ABB 3kV/50Hz	
			GA200 ABB 6,6kV/60Hz		1614	9654 00		GA200 ABB 3,3kV/50Hz	
			GA250 ABB 3kV/50Hz					GA200 ABB 6kV/50Hz	
			GA250 ABB 3,3V/50Hz					GA200 ABB 3,3kV/60Hz	
			GA250 ABB 6kV/50Hz					GA200 ABB 4,16kV/60Hz	
			GA250 ABB 3,3kV/60Hz					GA200 ABB 6,6kV/60Hz	
			GA250 ABB 4,13kV/60Hz					GA250 ABB 3kV/50Hz	
			GA250 ABB 6,6kV/60Hz					GA250 ABB 3,3V/50Hz	
			GA315 ABB 3,3kV/60Hz					GA250 ABB 6kV/50Hz	
			GA315 ABB 4,13kV/60Hz					GA250 ABB 3,3kV/60Hz	
			GA315 ABB 6,6kV/60Hz					GA250 ABB 4,13kV/60Hz	
	0147 1475 03	1	GA200 Siemens 440-460V/60Hz					GA250 ABB 6,6kV/60Hz	
			GA200 Siemens 575V/60Hz					GA315 ABB 3,3kV/60Hz	
	0147 1475 03	1	GA250 Siemens 440-460V/60Hz					GA315 ABB 4,13kV/60Hz	
			GA250 Siemens 575V/60Hz		1614	9651 00		GA315 ABB 6,6kV/60Hz	
			GA315 Siemens 440-460V/60Hz					GA200 Siemens 440-460V/60Hz	
			GA315 Siemens 575V/60Hz		1614	9652 00		GA200 Siemens 575V/60Hz	
1130		1	Washer					GA250 Siemens 440-460V/60Hz	

12

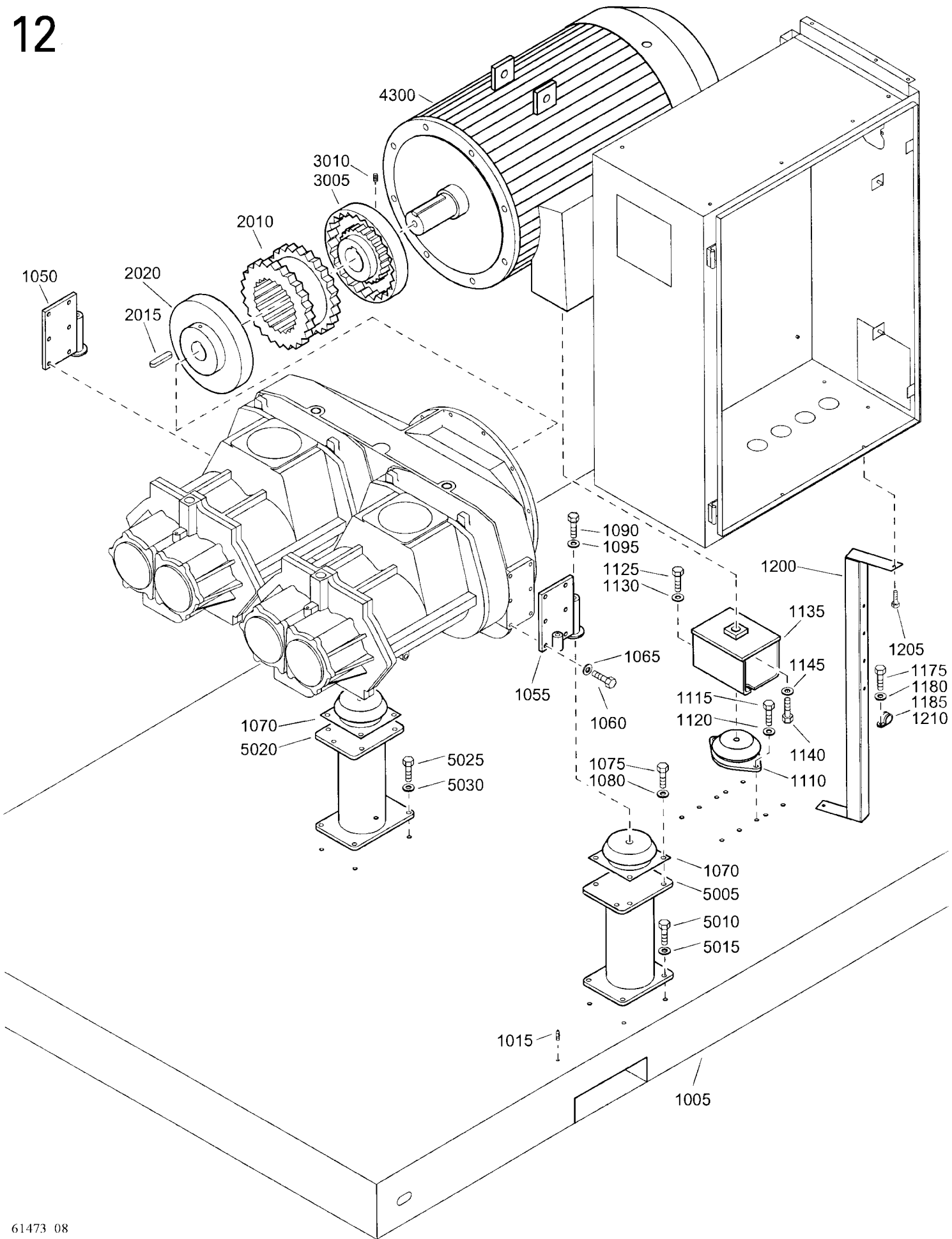


Frame and coupling

12

Ref.	Part number	Qty	Name	Remarks	Ref.	Part number	Qty	Name	Remarks
1140	0147 1549 03	1	GA250 Siemens 575V/60Hz.		0301 2405 00			GA200 Siemens 440-460V/60Hz.	
			GA315 Siemens 440-460V/60Hz.				GA200 Siemens 575V/60Hz.		
			GA315 Siemens 575V/60Hz.		0301 2434 00		GA250 Siemens 440-460V/60Hz.		
			Bolt				GA250 Siemens 575V/60Hz.		
			GA200 ABB 380-415V/50Hz.				GA315 Siemens 440-460V/60Hz.		
			GA200 ABB 500V/50Hz.				GA315 Siemens 575V/60Hz.		
			GA200 ABB 380V/60Hz.				Bolt		
			GA200 ABB 440-460V/60Hz.				Lock washer		
			GA250 ABB 380-415V/50Hz.	1175	0147 1360 03	2	Clamp		
			GA250 ABB 500V/50Hz.	1180	0333 3232 00	2	Support		
			GA250 ABB 380V/60Hz.	1185	1619 2861 04	2	GA250 Siemens 440-460V/60Hz.		
			GA250 ABB 440-460V/60Hz.	1200	1614 9875 00	1	GA250 Siemens 575V/60Hz.		
			GA315 ABB 380V/60Hz.				GA315 Siemens 440-460V/60Hz.		
			GA315 ABB 440-460V/60Hz.				GA315 Siemens 575V/60Hz.		
			GA200 ABB 3kV/50Hz.				Bolt		
			GA200 ABB 3.3kV/50Hz.				GA250 Siemens 440-460V/60Hz.		
			GA200 ABB 6kV/50Hz.				GA250 Siemens 575V/60Hz.		
			GA200 ABB 3.3kV/60Hz.				GA315 Siemens 440-460V/60Hz.		
			GA200 ABB 4.16kV/60Hz.	1205	1079 1472 06	4	GA315 Siemens 575V/60Hz.		
			GA200 ABB 6.6kV/60Hz.				Pipe clamp		
			GA250 ABB 3kV/50Hz.				GA250 Siemens 440-460V/60Hz.		
			GA250 ABB 3.3V/50Hz.				GA250 Siemens 575V/60Hz.		
			GA250 ABB 6kV/50Hz.				GA315 Siemens 440-460V/60Hz.		
			GA250 ABB 3.3kV/60Hz.				GA315 Siemens 575V/60Hz.		
			GA250 ABB 4.13kV/60Hz.				GA250 Siemens 440-460V/60Hz.		
			GA250 ABB 6.6kV/60Hz.	1210	0346 1005 19	4	GA250 Siemens 575V/60Hz.		
GA315 ABB 3.3kV/60Hz.				GA315 Siemens 440-460V/60Hz.					
GA315 ABB 4.13kV/60Hz.				GA315 Siemens 575V/60Hz.					
GA315 ABB 6.6kV/60Hz.				Flex.coupling					
GA200 Siemens 440-460V/60Hz.				Parallel key					
GA200 Siemens 575V/60Hz.				Coupling half					
GA250 Siemens 440-460V/60Hz.	2010	1614 8739 00	1	Coupling half					
GA250 Siemens 575V/60Hz.	2015	0337 0009 12	1						
GA315 Siemens 440-460V/60Hz.	2020	2255 0196 13	1						
GA315 Siemens 575V/60Hz.	3005	2255 0196 04	1						
GA200 Siemens 440-460V/60Hz.				GA200 ABB 380-415V/50Hz.					
GA200 Siemens 575V/60Hz.				GA200 ABB 380V/60Hz.					
GA250 Siemens 440-460V/60Hz.				GA200 ABB 440-460V/60Hz.					
GA250 Siemens 575V/60Hz.				GA200 ABB 500V/50Hz.					
Washer				GA250 ABB 380-415V/50Hz.					
GA200 ABB 380-415V/50Hz.				GA250 ABB 380V/60Hz.					
GA200 ABB 500V/50Hz.				GA250 ABB 440-460V/60Hz.					
GA200 ABB 380V/60Hz.				GA250 ABB 500V/50Hz.					
GA200 ABB 440-460V/60Hz.				GA315 ABB 380V/60Hz.					
GA250 ABB 380-415V/50Hz.				GA315 ABB 440-460V/60Hz.					
GA250 ABB 500V/50Hz.				GA200 Siemens 440-460V/60Hz.					
GA250 ABB 380V/60Hz.				GA200 Siemens 575V/60Hz.					
GA250 ABB 440-460V/60Hz.				GA250 Siemens 440-460V/60Hz.					
GA315 ABB 380V/60Hz.				GA250 Siemens 575V/60Hz.					
GA315 ABB 440-460V/60Hz.				GA315 Siemens 440-460V/60Hz.					
GA200 ABB 3kV/50Hz.				GA200 ABB 3kV/50Hz.					
GA200 ABB 3.3kV/50Hz.				GA200 ABB 6kV/50Hz.					
GA200 ABB 6kV/50Hz.				GA200 ABB 3.3kV/60Hz.					
GA200 ABB 3.3kV/60Hz.				GA200 ABB 4.16kV/60Hz.					
GA200 ABB 4.16kV/60Hz.				GA200 ABB 6.6kV/60Hz.					
GA200 ABB 6.6kV/60Hz.				GA250 ABB 3kV/50Hz.					
GA250 ABB 3kV/50Hz.				GA250 ABB 3.3kV/50Hz.					
GA250 ABB 3.3V/50Hz.				GA200 ABB 6kV/50Hz.					
GA250 ABB 6kV/50Hz.				GA200 ABB 3.3kV/60Hz.					
GA250 ABB 3.3kV/60Hz.				GA200 ABB 4.16kV/60Hz.					
GA250 ABB 4.13kV/60Hz.				GA250 ABB 3kV/50Hz.					
GA250 ABB 6.6kV/60Hz.				GA250 ABB 3.3kV/50Hz.					
GA315 ABB 3.3kV/60Hz.				GA250 ABB 6kV/50Hz.					
GA315 ABB 4.13kV/60Hz.									
GA315 ABB 6.6kV/60Hz.									

12

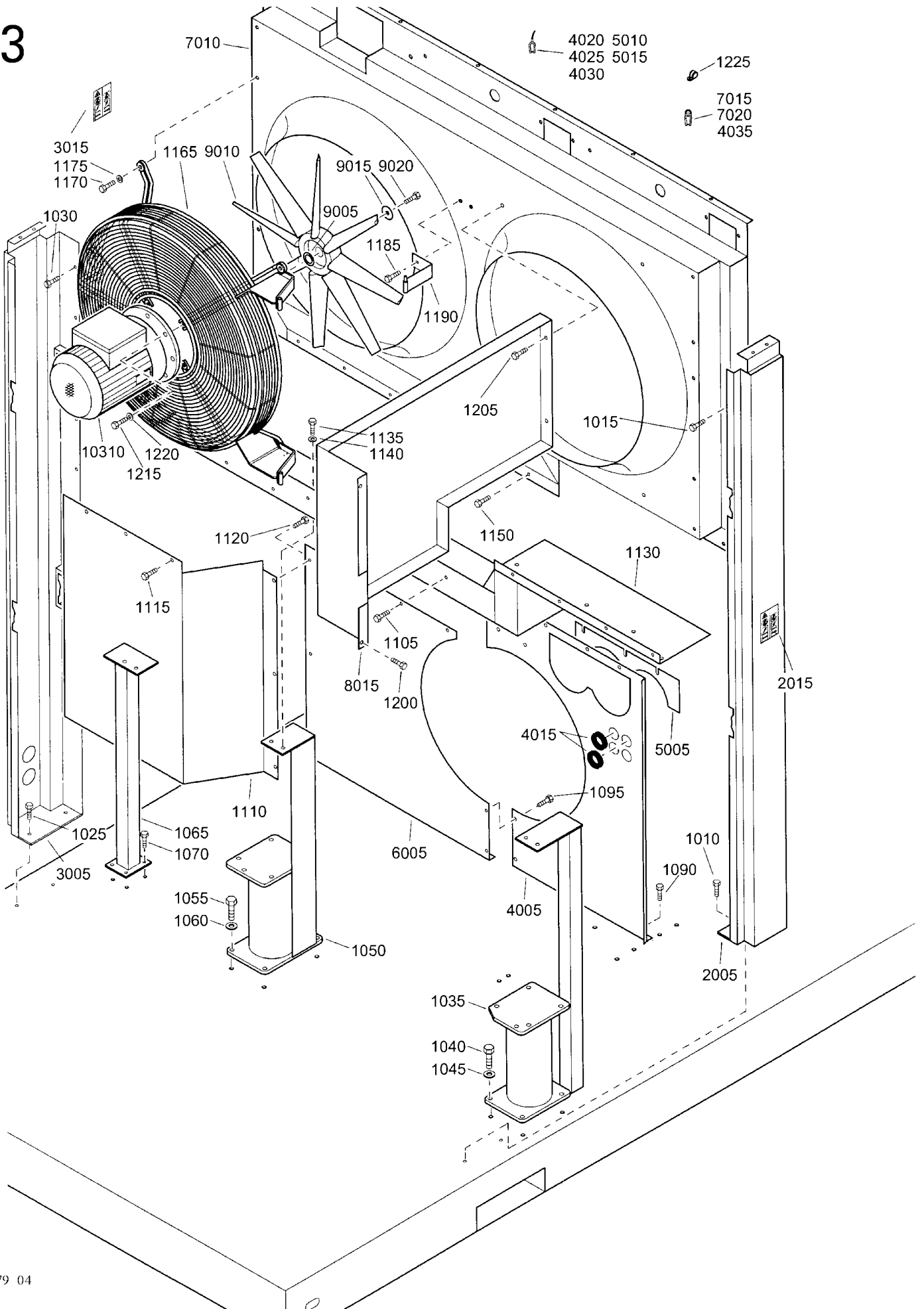


Frame and coupling

Ref.	Part number	Qty	Name	Remarks
			GA250 ABB 3.3kV/60Hz	
			GA250 ABB 4.16kV/60Hz	
			GA250 ABB 6.6kV/60Hz	
			GA315 ABB 3.3kV/60Hz	
			GA315 ABB 4.16kV/60Hz	
			GA315 ABB 6.6kV/60Hz	
3010	0196 1360 00	• 1	Screw plug	
4300		1	Motor	
			ABB	
	1080 2859 52		GA200 380-415V/50Hz	
	1080 2859 88		GA200 380V/60Hz	
	1080 2859 59		GA200 440-460V/60Hz	
	1080 2859 84		GA200 500V/50Hz	
	1080 4075 01		GA200 3kV/50Hz	
	1080 4075 02		GA200 3.3kV/50Hz	
	1080 4075 05		GA200 6kV/50Hz	
	1080 4075 51		GA200 3.3kV/60Hz	
	1080 4075 52		GA200 4.16kV/60Hz	
	1080 4075 53		GA200 6.6kV/60Hz	
	1080 4046 02		GA250 380-415V/50Hz	
	1080 4046 98		GA250 380V/60Hz	
	1080 4046 09		GA250 440-460V/60Hz	
	1080 4046 84		GA250 500V/50Hz	
	1080 4075 11		GA250 3kV/50Hz	
	1080 4075 12		GA250 3.3kV/50Hz	
	1080 4075 15		GA250 6kV/50Hz	
	1080 4075 61		GA250 3.3kV/60Hz	
	1080 4075 62		GA250 4.16kV/60Hz	
	1080 4075 63		GA250 6.6kV/60Hz	
	1080 4046 88		GA315 380V/60Hz	
	1080 4046 19		GA315 440-460V/60Hz	
	1080 4075 71		GA315 3.3kV/60Hz	
	1080 4075 72		GA315 4.16kV/60Hz	
	1080 4075 73		GA315 6.6kV/60Hz	
			SIEMENS	
	1080 4050 09		GA200 440-460V/60Hz	
	1080 4050 10		GA200 575V/60Hz	
	1080 4051 09		GA250 440-460V/60Hz	
	1080 4051 10		GA250 575V/60Hz	
	1080 4052 09		GA315 440-460V/60Hz	
	1080 4052 10		GA315 575V/60Hz	
5005	1614 9893 00	1	Support	1)
5010	0147 1402 03	4	Bolt	1)
5015	0301 2358 00	4	Washer	1)
5020	1614 8914 00	1	Support	1)
5025	0147 1402 03	4	Bolt	1)
5030	0301 2358 00	4	Washer	1)

- 1) Watercooled units / Watergekoelde versies / Vattenkylda utföranden / Wassergekühlte Ausführungen / Versions refroidies par eau / Variantes refrigeradas por agua / Versioni raffreddate ad acqua / Vandkølede modeller / Versões arrefecidas a água / Vannkjølte versjoner / Vesijäähdytteiset mallit

13

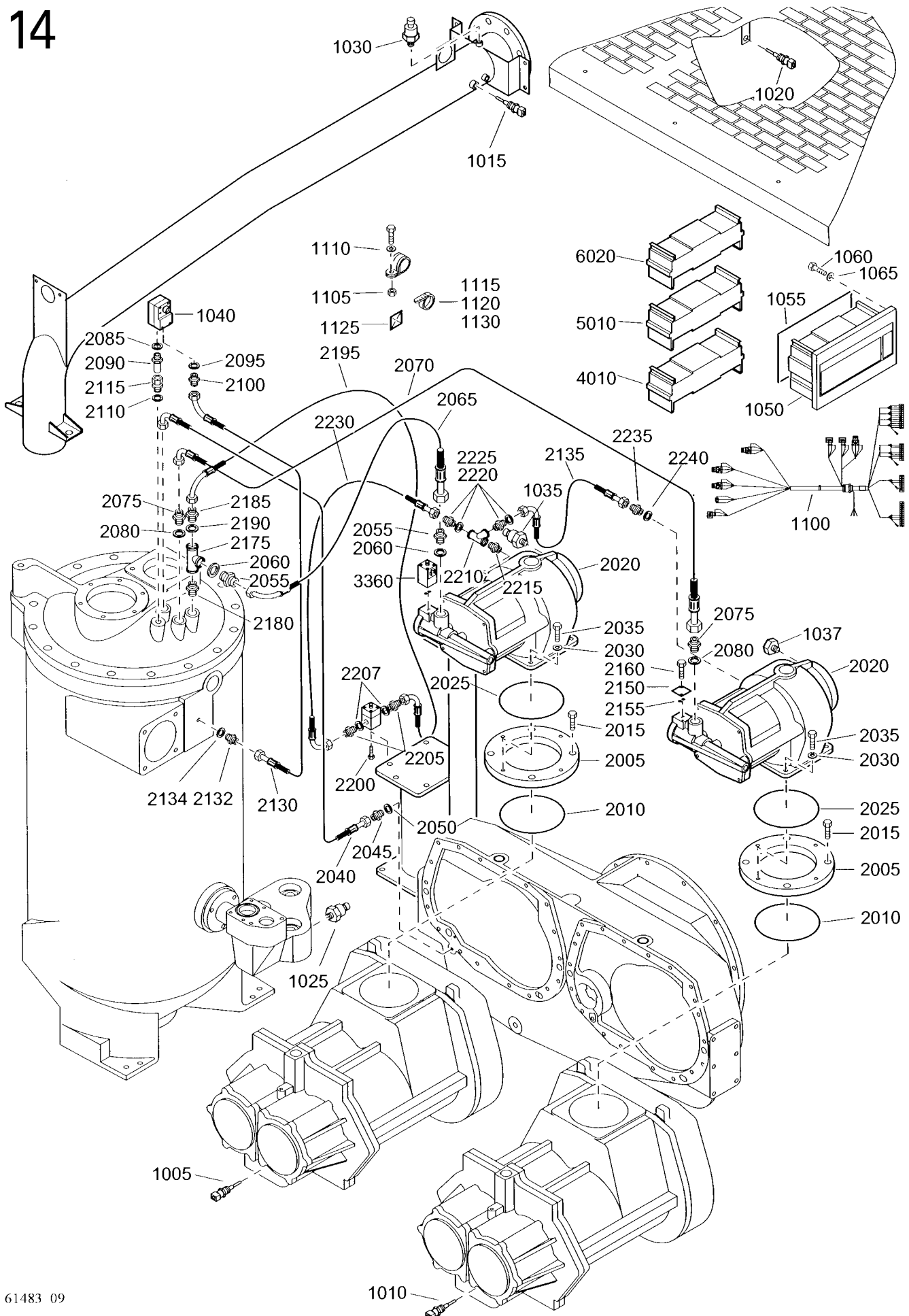


Fan and cooling duct plates - GA

Ref.	Part number	Qty	Name	Remarks	Ref.	Part number	Qty	Name	Remarks
1010	1619 5337 01	4	Bolt			1614 9602 80	1	Baffle ass'y	
1015	1619 2766 00	6	Bolt		4005	•	1	Baffle	
1025	1619 5337 01	4	Bolt		4015	1088 0803 26	• 3	Grommet	
1030	1619 2766 00	6	Bolt		4020	1619 2795 00	• AR	Rubber strip	
1035	1621 9092 00	1	Support		4025	1619 2795 00	• AR	Rubber strip	
1040	0147 1402 03	4	Bolt		4030	1503 1056 00	• AR	Scal	
1045	0301 2358 00	4	Washer		4035	1619 6449 00	• AR	Scal	
1050	1621 9091 00	1	Support			1614 9790 80	1	Plate	
1055	0147 1402 03	4	Bolt		5005	•	1	Plate	
1060	0301 2358 00	4	Washer		5010	1619 2795 00	• AR	Rubber strip	
1065	1621 9093 00	1	Support		5015	1619 2795 00	• AR	Rubber strip	
1070	1619 5337 01	4	Bolt			1614 9603 80	1	Baffle	
1090	1619 2766 00	7	Bolt		6005	•	1	Baffle	
1095	1079 1472 06	2	Bolt			1621 9040 80	1	Fan cowl	
1105	1619 2766 00	7	Bolt		7010	•	1	Fan cowl	
1110	1614 9604 00	1	Baffle		7015	1619 2473 00	• AR	Scal	
1115	1619 2766 00	7	Bolt		7020	1619 2473 00	• AR	Scal	
1120	1079 1472 06	3	Bolt			1614 9601 80	1	Baffle	1)
1130	1621 9090 00	1	Support		8015	•	1	Baffle	
1135	0147 1362 03	6	Bolt		9005	1614 6453 00	4	Washer	
1140	0301 2344 00	6	Washer		9010		2	Fan	
1150	1619 2766 00	12	Bolt			1614 9285 00		50Hz	
1165	1614 9882 00	2	Fan guard			1614 9287 00		60Hz	
1170	0147 1363 03	10	Bolt		9015	1614 6456 00	2	Washer	
1175	0333 3232 00	10	Lock washer		9020	0147 1363 03	2	Bolt	
1185	1619 5337 01	8	Bolt		10310		2	Fan motor	
1190	1614 9762 00	4	Hinge			1080 4034 17		380V/60Hz	Y
1200	1619 2766 00	2	Bolt			1080 4034 17		220V/60Hz	D
1205	1079 1472 06	2	Bolt			1080 4034 12		380-415V/50Hz	Y + D
1215	0147 1401 03	8	Bolt			1080 4034 12		440-460V/60Hz	Y
1220	0301 2358 00	8	Washer			1080 4034 14		500V/50Hz	D
1225	0346 1000 15	3	Pipe clamp			1080 4034 14		575V/60Hz	D
	1614 9594 80	1	Stay ass'y	1)					
2005	•	1	Stay						
2015	1079 9901 09	• 1	Label						
	1614 9747 80	1	Stay ass'y	1)					
3005	•	1	Stay						
3015	1079 9901 09	• 1	Label						

1) Lined with / Bekledd med / Beklädd med / Ausgekleidet mit / Garnir de / Rivestido de / Allineato con / Forret med / Revestido com / Kledd med / Vuorattu :
Foam : 0395 6001 69 (AR) 50 x 2040 x 1650

14

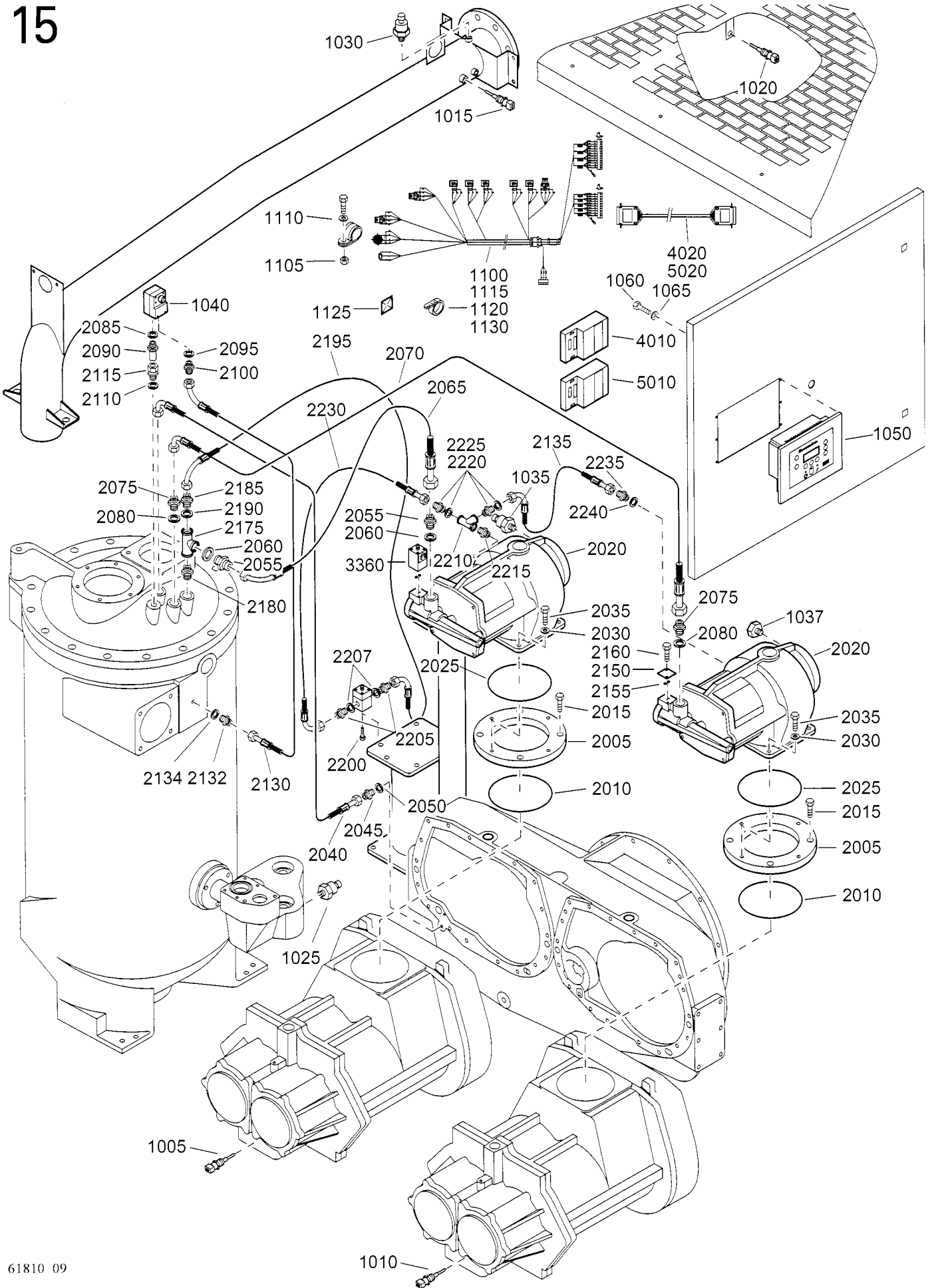


Regulating system 1)

Ref.	Part number	Qty	Name	Remarks	Ref.	Part number	Qty	Name	Remarks
1005	1089 0574 07	1	Temp. sensor		2100	1079 5840 01	1	Nipple	
1010	1089 0574 07	1	Temp. sensor		2110	0661 1000 25	1	Seal washer	
1015	1089 0574 07	1	Temp. sensor		2115	0580 0013 32	1	Coupling	
1020	1089 0574 07	1	Temp. sensor		2130	0575 0361 18	1	Hose assembly	
1025	1089 0575 28	1	Press.transducer		2132	1079 5840 01	1	Nipple	
1030	1089 0575 28	1	Press.transducer		2134	0661 1000 24	1	Seal washer	
1035	1089 0575 33	1	Press.transducer		2135	0574 8231 31	1	Hose assembly	
1037	0686 3115 58	1	Plug		2150	1614 9728 00	1	Flange	
1040	1089 0575 20	1	Dp transducer		2155	0663 2106 09	2	O-ring	
1050	1900 0701 25	1	Regulator		2160	0147 1171 03	2	Bolt	
1055	1503 2467 00	AR	Seal cord		2175	0564 0000 18	1	Tee	
1060	0160 6059 00	4	Screw		2180	0603 4105 03	1	Hexagon nipple	
1065	0301 2318 00	4	Washer		2185	1079 5840 19	1	Nipple	
1100	1614 9639 00	1	Wire harness		2190	0661 1000 27	1	Seal washer	
1105	0266 2110 00	1	Nut		2195	0574 8841 53	1	Hose assembly	
1110	0301 2335 00	1	Washer		2200	0147 1171 03	4	Bolt	
1115	1088 1301 01	5	Cable strip	L = 92	2205	1079 5840 01	2	Nipple	
1120	1088 1301 02	1	Cable strip	L = 104	2207	0661 1000 24	2	Seal washer	
1125	0348 0111 06	10	Hose clip		2210	0564 0000 78	1	Tee	
1130	1088 1301 03	10	Cable strip	L = 186	2215	0603 4102 03	1	Hexagon nipple	
2005	1614 9237 00	2	Spacer	1)	2220	1619 5205 00	2	Nipple	
2010	0663 2109 71	2	O-ring	1)	2225	0661 1000 25	2	Seal washer	
2015	0211 1362 03	8	Cap screw	1)	2230	0574 8236 35	1	Hose assembly	
2020	<<<< >>>>	2	Unloader assembly		2235	1619 5205 00	1	Nipple	
2025	0663 2109 71	2	O-ring		2240	0661 1000 25	1	Seal washer	
2030	0301 2344 00	8	Washer		3360		1	Solenoid valve	
2035	0147 1364 03	8	Bolt			1089 0621 10		50Hz	
2040	0575 0121 47	1	Hose assembly			1089 0621 11		60Hz	CSA/UL
2045	1619 5205 00	1	Nipple		4010	1900 0701 45	1	Sioc module	
2050	0661 1000 25	1	Seal washer		5010	1900 0701 82	1	Com2 module	
2055	1079 5840 29	2	Hexagon nipple		6020	1900 0701 91	1	Profibus	
2060	0661 1000 29	2	Seal washer						
2065	0574 8235 30	1	Hose assembly						
2070	0574 8235 41	1	Hose assembly						
2075	1079 5840 29	2	Hexagon nipple						
2080	0661 1000 29	2	Seal washer						
2085	0661 1000 24	1	Seal washer						
2090	1615 3624 00	1	Nozzle						
2095	0661 1000 24	1	Seal washer						

1) Aircooled version / Luchtgekoelde versie / Luftkylda utföranden / Luftgekühlte Ausführungen / Version refroidie par air / Variante refrigerada por aire / Versioni raffreddate ad aria / Luftkølede modeller / Versões arrefecidas a ar / Luftkjølte versjoner / Ilmajäähdytteisiet mallit

15

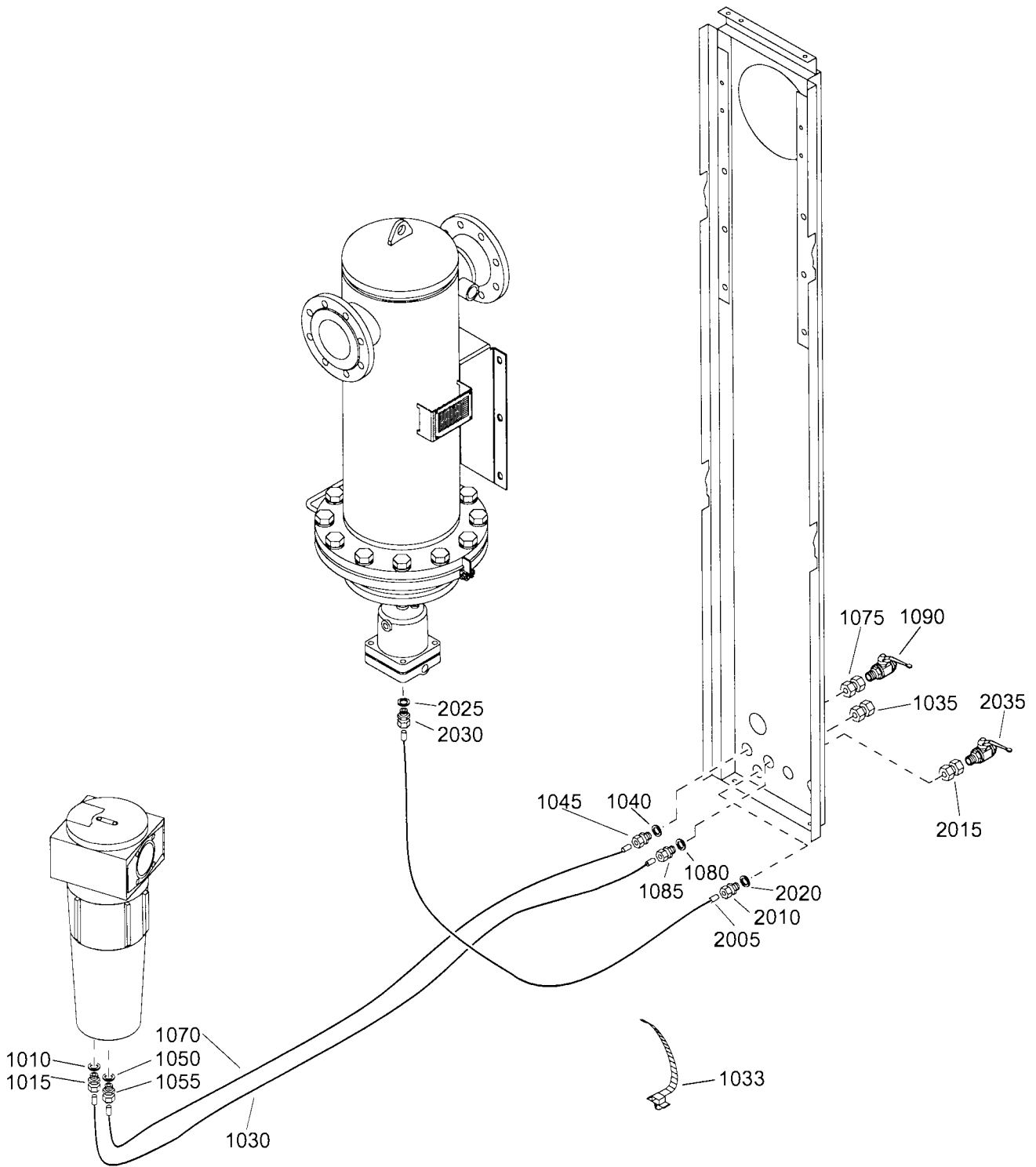


Regulating system 2)

Ref.	Part number	Qty	Name	Remarks	Ref.	Part number	Qty	Name	Remarks
1005	1089 0574 40	1	Temp. sensor		2110	0661 1000 25	1	Seal washer	
1010	1089 0574 40	1	Temp. sensor		2115	0580 0400 03	1	Str.coupling	
1015	1089 0574 40	1	Temp. sensor		2130	0575 0361 18	1	Hose assembly	
1020	1089 0574 40	1	Temp. sensor		2132	1079 5840 01	1	Nipple	
1025	1089 0575 28	1	Press.transducer		2134	0661 1000 24	1	Seal washer	
1030	1089 0575 28	1	Press.transducer		2135	0574 8231 31	1	Hose assembly	
1035	1089 0575 33	1	Press.transducer		2150	1614 9728 00	1	Flange	
1037	0686 3115 58	1	Plug		2155	0663 2106 09	2	O-ring	
1040	1089 0575 20	1	Dp transducer		2160	0147 1171 03	2	Bolt	
1050	1900 0710 31	1	Regulator		2175	0564 0000 18	1	Tee	
1060	0160 6038 00	4	Screw		2180	0603 4105 03	1	Hexagon nipple	
1065	0301 2315 00	4	Washer		2185	1079 5840 19	1	Nipple	
1100	1621 0921 00	1	Wire harness		2190	0661 1000 27	1	Seal washer	
1105	0266 2110 00	1	Nut		2195	0574 8841 53	1	Hose assembly	
1110	0301 2335 00	1	Washer		2200	0147 1171 03	4	Bolt	
1115	1088 1301 01	5	Cable strip	L = 92	2205	1079 5840 01	2	Nipple	
1120	1088 1301 02	1	Cable strip	L = 104	2207	0661 1000 24	2	Seal washer	
1125	0348 0111 06	11	Hose clip		2210	0564 0000 78	1	Tee	
1130	1088 1301 03	11	Cable strip	L = 186	2215	0603 4102 03	1	Hexagon nipple	
2005	1614 9237 00	2	Spacer	1)	2220	1619 5205 00	2	Nipple	
2010	0663 2109 71	2	O-ring	1)	2225	0661 1000 25	2	Seal washer	
2015	0211 1362 03	8	Cap screw	1)	2230	0574 8236 35	1	Hose assembly	
2020	<<<< >>>>	2	Unloader assembly		2235	1619 5205 00	1	Nipple	
2025	0663 2109 71	2	O-ring		2240	0661 1000 25	1	Seal washer	
2030	0301 2344 00	8	Washer		3360		1	Solenoid valve	
2035	0147 1364 03	8	Bolt			1089 0621 04		50Hz	
2040	0575 0121 47	1	Hose assembly			1089 0621 05		60Hz	
2045	1619 5205 00	1	Nipple		4010	1900 0710 41	1	Regulator	SIOE- module
2050	0661 1000 25	1	Seal washer		4020	1622 0661 03	1	Cable	
2055	1079 5840 29	2	Hexagon nipple		5010	1900 0710 71	1	Regulator	DIOE- module
2060	0661 1000 29	2	Seal washer		5020	1622 0661 03	1	Cable	
2065	0574 8235 30	1	Hose assembly						
2070	0574 8235 41	1	Hose assembly						
2075	1079 5840 29	2	Hexagon nipple						
2080	0661 1000 29	2	Seal washer						
2085	0661 1000 24	1	Seal washer						
2090	1615 3624 00	1	Nozzle						
2095	0661 1000 24	1	Seal washer						
2100	1079 5840 01	1	Nipple						

1) Aircooled version / Luchtgekoelde versie / Luftkylda utföranden / Luftgekühlte Ausführungen / Version refroidie par air / Variante refrigerada por aire / Versioni raffreddate ad aria / Luftkølede modeller / Versões arrefecidas a ar / Luftkjølte versjoner / Ilmajähdytteiset mallit

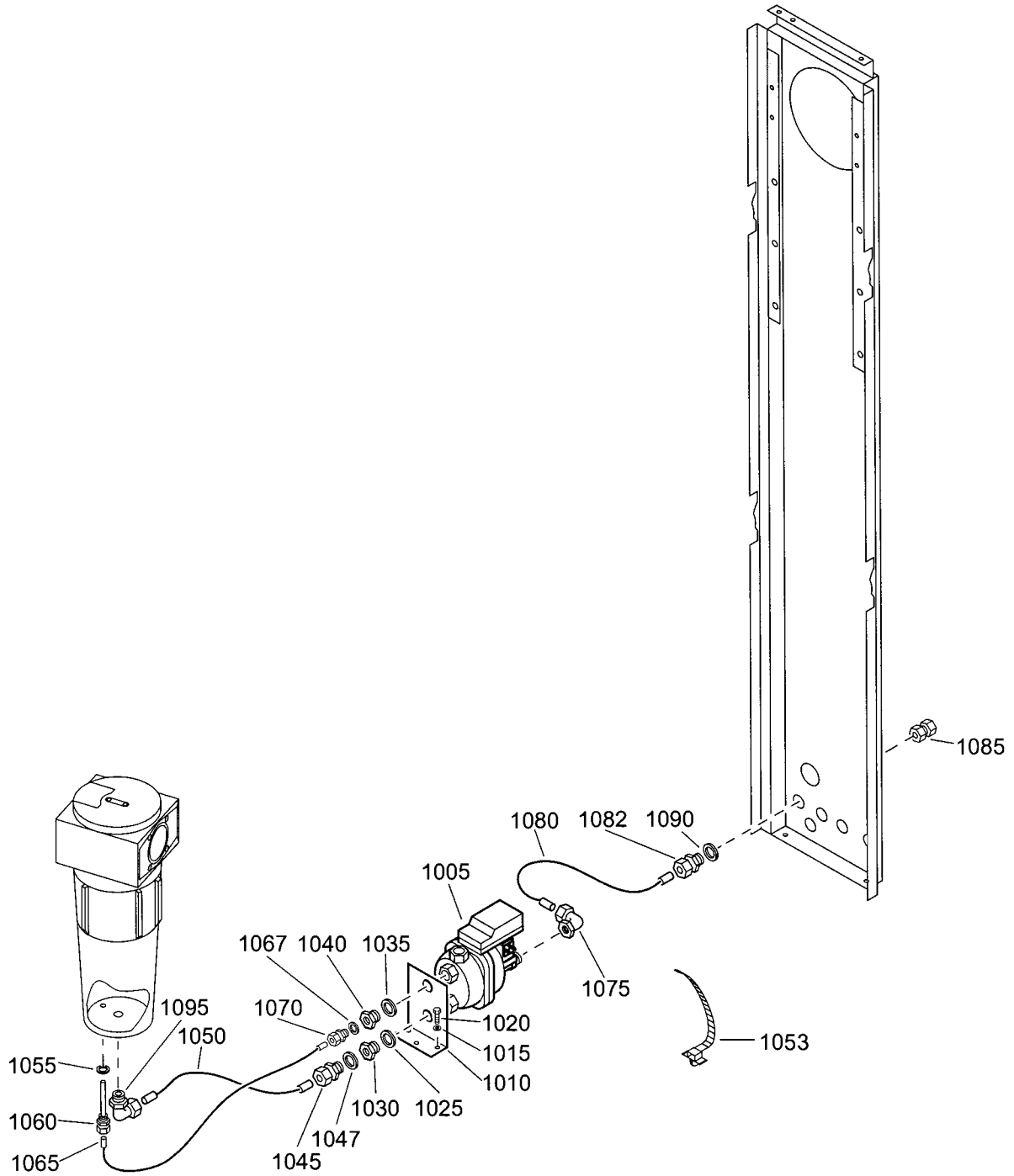
16



Drain system - Basic- and DD-filter drain

Ref.	Part number	Qty	Name	Remarks	Ref.	Part number	Qty	Name	Remarks
1010	0661 1000 25	1	Seal washer		1080	0653 1124 00	1	Flat gasket	
1015	0581 0000 45	1	Pipe coupling		1085	0581 0000 53	1	Pipe coupling	
1030	0070 6002 06	AR	Plastic tube		1090	0852 0010 33	1	Ball valve	
1033	0348 0102 06	3	Cable tie		2005	0070 6002 05	AR	Plastic tube	
1035	0581 0000 86	1	Pipe coupling		2010	0581 0000 73	1	Str. coupl.	
1040	0653 1124 00	1	Flat gasket		2015	0581 0000 86	1	Pipe coupling	
1045	0581 0000 53	1	Pipe coupling		2020	0661 1000 27	1	Seal washer	
1050	0653 1062 00	1	Flat gasket		2025	0581 0000 73	1	Str. coupl.	
1055	0581 0000 45	1	Pipe coupling		2030	0661 1000 27	1	Seal washer	
1070	0070 6002 06	AR	Plastic tube		2035	0852 0010 33	1	Ball valve	
1075	0581 0000 86	1	Pipe coupling						

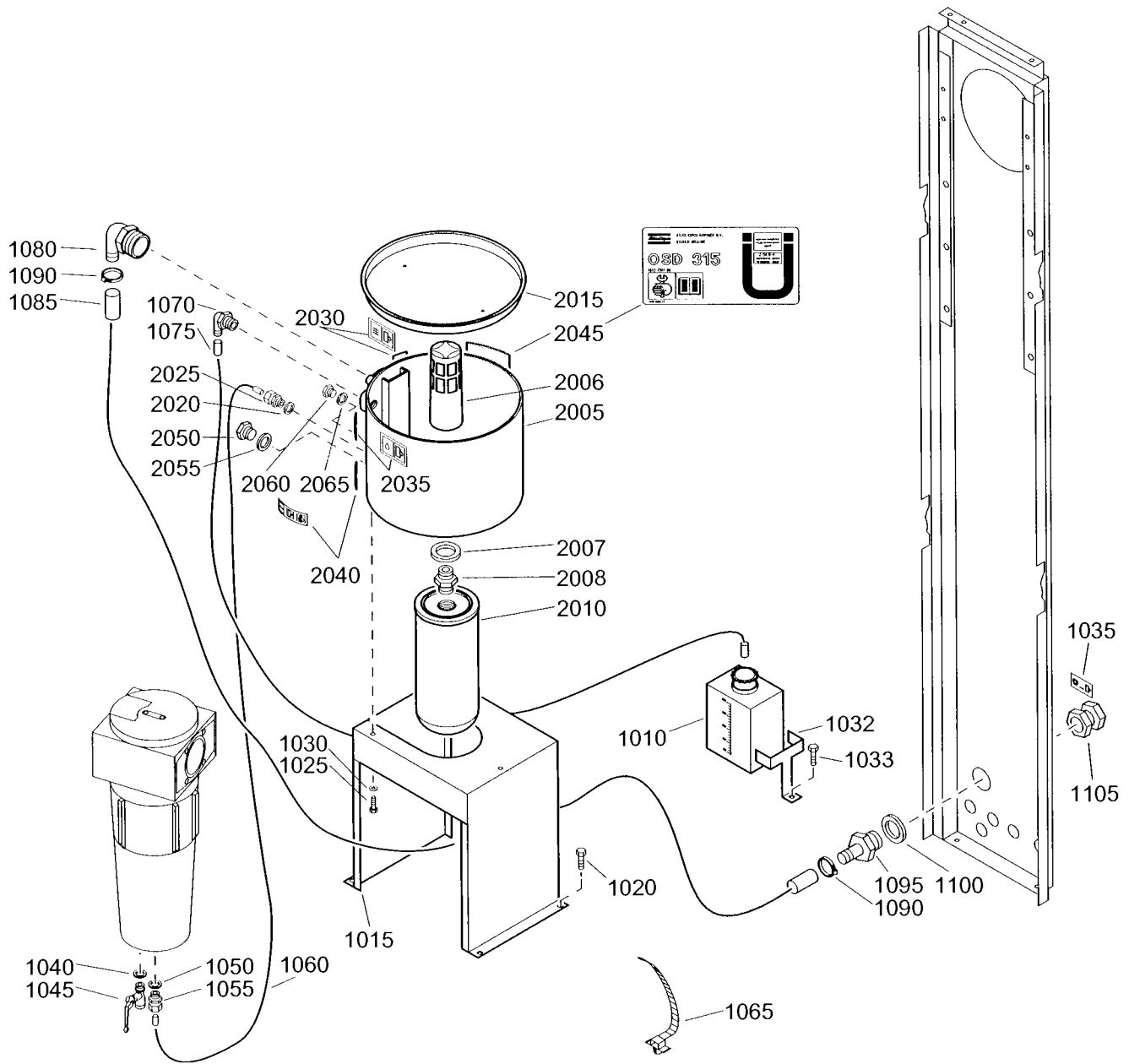
17



Drain system - Electronic drain system

Ref.	Part number	Qty	Name	Remarks	Ref.	Part number	Qty	Name	Remarks
1005	8102 0425 80	1	Drain valve		1055	0661 1000 25	1	Seal washer	
1010	1617 1768 00	1	Support		1060	1613 8084 00	1	Pipe coupling	
1015	0301 2335 00	3	Washer		1065	0070 6002 05	AR	Plastic tube	
1020	0147 1323 03	3	Bolt		1067	0661 1000 25	1	Seal washer	
1025	0661 1000 29	1	Seal washer		1070	0581 0000 35	1	Pipe coupling	
1030	0605 8700 84	1	Bushing		1075	0581 1200 47	1	Pipe coupling	
1035	0661 1000 29	1	Seal washer		1080	0070 6002 13	AR	Plastic tube	
1040	0605 8820 05	1	Bushing		1082	0581 0000 71	1	Pipe coupling	
1045	0581 0000 71	1	Pipe coupling		1085	0581 0000 86	1	Pipe coupling	
1047	0661 1000 27	1	Seal washer		1090	0661 1000 27	1	Seal washer	
1050	0070 6002 13	AR	Plastic tube		1095	0581 1200 38	1	Pipe coupling	
1053	0348 0102 06	3	Cable tie						

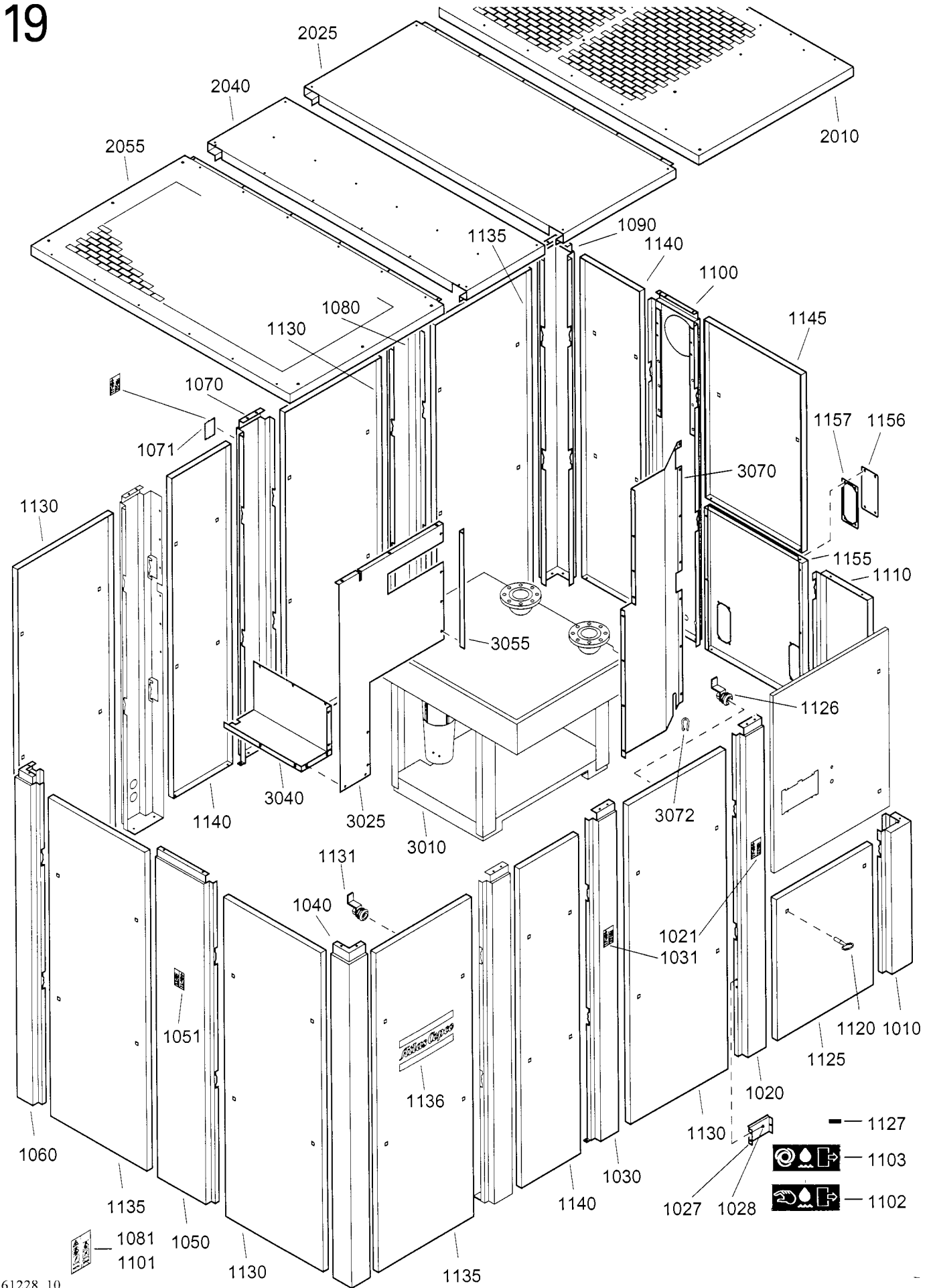
18



Drain system - Oil Separator condensate Drain

Ref.	Part number	Qty	Name	Remarks	Ref.	Part number	Qty	Name	Remarks
1010	1613 9735 00	1	Oil can		1095	1614 9876 00	1	Hose nipple	
1015	1621 9084 00	1	Support		1100	0661 1000 31	1	Seal washer	
1020	1619 2766 00	4	Bolt		1105	1614 9881 00	1	Bushing	
1025	0147 1322 03	3	Bolt		2005	1614 9351 00	1	Housing	
1030	0301 2335 00	3	Washer		2006	1613 7299 00	1	Strainer	
1032	1622 0091 00	1	Support		2007	9125 6295 00	1	Seal washer	
1033	1619 2766 00	1	Bolt		2008	1613 7297 00	1	Check valve	
1035	1079 9910 97	1	Label		2010	1614 9352 00	1	Oil filter	
1040	0661 1000 25	1	Seal washer		2015	1614 9707 00	1	Cover	
1045	0852 0010 29	1	Ball valve		2020	0661 1000 25	1	Seal washer	
1050	0661 1000 25	1	Seal washer		2025	1614 9363 00	1	Pipe coupling	
1055	0581 0000 35	1	Pipe coupling		2030	1079 9913 69	1	Inform.label	
1060	0070 6002 03	AR	Flexible		2035	1079 9912 28	1	Information label	
1065	0348 0102 06	3	Cable tie		2040	1079 9912 07	1	Information label	
1070	1613 7335 00	1	Hose nipple		2045	1079 9920 17	1	Information label	
1075	0070 6002 14	AR	Flexible		2050	0686 3716 45	1	Hexagon plug	
1080	1614 9706 00	1	Hose nipple		2055	0661 1000 27	1	Seal washer	
1085	0070 6002 28	AR	Plastic tube		2060	0686 3716 44	1	Hexagon plug	
1090	0347 6110 00	2	Hose clip		2065	0661 1000 25	1	Seal washer	

19

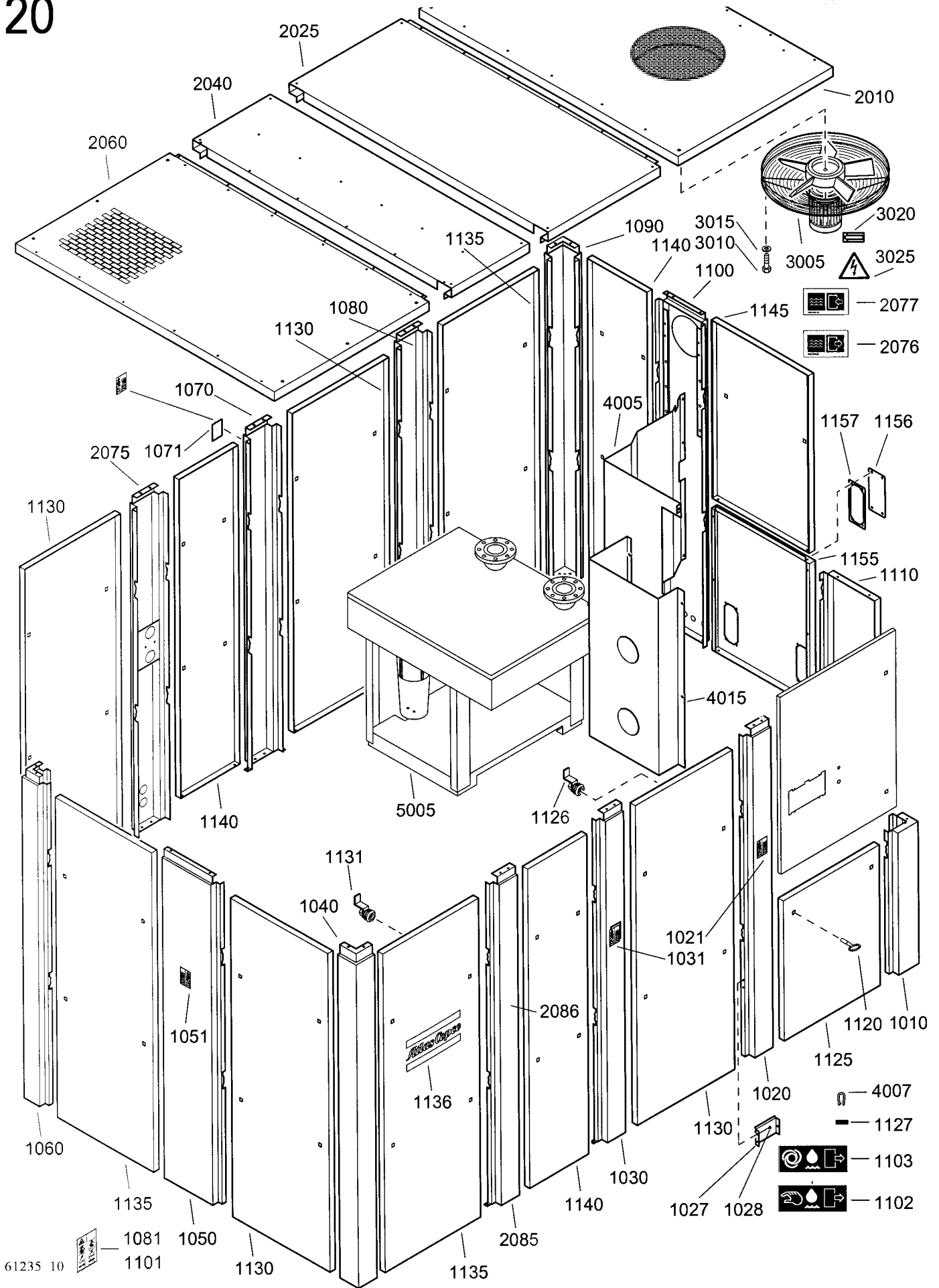


61228 10

Bodywork - GA

Ref.	Part number	Qty	Name	Remarks	Ref.	Part number	Qty	Name	Remarks
1010	1614 9505 00	1	Stay	1)	1155	1614 9401 00	1	Baffle	1)2)
1020	1614 9898 00	1	Stay	1)	1156	1088 0412 06	2	Flange	
1021	1079 9901 09	1	Label		1157	1088 0497 06	2	Gasket	
1027	1614 9908 00	1	Plate		2010	1614 9894 00	1	Roof	
1028	1079 2904 01	3	Push nail		2025	1614 9573 00	1	Roof	1)
1030	1614 9886 00	1	Stay	1)	2040	1621 9042 00	1	Roof	1)
1031	1079 9901 09	1	Label		2055	1614 9575 00	1	Roof	1)
1040	1614 9502 00	1	Stay	1)	3010	<<<< >>>>	1	Air dryer	
1050	1614 9501 00	1	Stay	1)	3025	1614 9899 00	1	Baffle	
1051	1079 9901 09	1	Label		3040	1614 9900 00	1	Baffle	
1060	1614 9502 00	1	Stay	1)	3055	1614 9880 00	1	Stiffener	
1070	1614 9886 00	1	Stay	1)	3070	1614 9923 00	1	Baffle	
1071	1079 9901 09	1	Label		3072	1503 1056 00	AR	Scal	
1080	1614 9886 00	1	Stay	1)			AR	Bolt	
1081	1079 9901 09	1	Label					M8 x 16	
1090	1614 9502 00	1	Stay	1)	0147 1322 03			M8 x 20	
1100	1614 9919 00	1	Stay	1)	1619 2766 00			M8 x 25	
1101	1079 9901 09	1	Label		0147 1325 03			M8 x 30	
1102	1079 9910 95	1	Label		1079 1472 06			M8 x 30	
1103	1079 9910 96	1	Label		1619 5337 01			M12 x 50	
1110	1614 9599 00	1	Stay	1)	0147 1405 03			Washer	
1120	1089 9068 01	1	Key				AR	Washer	
1125	1614 9615 00	1	Panel	1)	0301 2335 00			Ø8.4 x 16 x 1.6	
1126	2252 7237 00	2	Doorlock		0301 2358 00			Ø13 x 24 x 2.5	
1127	1619 5188 00	AR	Scal						
1130	1614 9592 00	4	Door	1)					
1131	2252 7237 00	4	Doorlock						
1135			Door						
	1614 9592 00	4		1)3)					
	1614 9592 00	3		1)2)					
1136	0690 1140 01	1	House mark						
1140	1614 9593 00	3	Door	1)					
1145	1614 9703 00	1	Panel	1)2)					

20

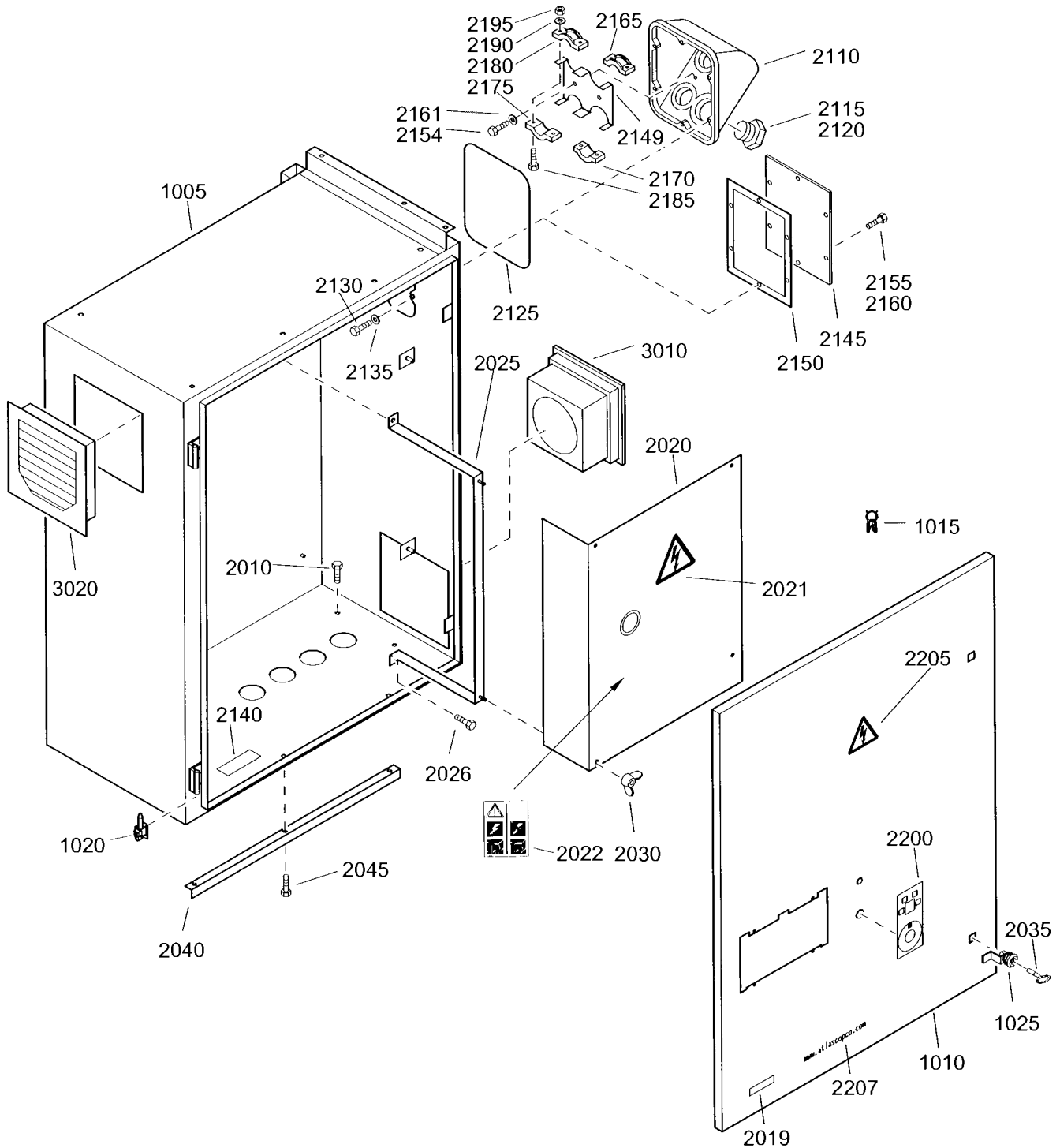


Bodywork - GA W

Ref.	Part number	Qty	Name	Remarks	Ref.	Part number	Qty	Name	Remarks
1010	1614 9505 00	1	Stay	1)	2076	1079 9913 69	1	Inform.label	
1020	1614 9898 00	1	Stay	1)	2077	1079 9913 79	1	Inform.label	
1021	1079 9901 09	1	Label		2085	1614 9886 00	1	Stay	1)
1027	1614 9908 00	1	Plate		2086	1079 9901 09	1	Label	
1028	1079 2904 01	3	Push nail		3005		1	Fan assembly	
1030	1614 9886 00	1	Stay	1)		1614 9608 01		400V/50Hz	
1031	1079 9901 09	1	Label			1614 9608 02		500V/50Hz	
1040	1614 9502 00	1	Stay	1)		1614 9608 03		380V/60Hz	
1050	1614 9501 00	1	Stay	1)		1614 9608 04		440-460V/60Hz	
1051	1079 9901 09	1	Label			1614 9608 05		575V/60Hz	
1060	1614 9502 00	1	Stay	1)	3010	0147 1250 03	3	Bolt	
1070	1614 9886 00	1	Stay	1)	3015	0300 0274 35	3	Washer	
1071	1079 9901 09	1	Label		3020	1503 0786 00	1	Rotation arrow	
1080	1614 9886 00	1	Stay	1)	3025	1088 1001 01	1	Warning mark	
1081	1079 9901 09	1	Label		4005		1	Plate	
1090	1614 9502 00	1	Stay	1)		1614 9911 00			4)
1100	1614 9919 00	1	Stay	1)		1614 9902 00			Others
1101	1079 9901 09	1	Label		4007		AR	Scal	
1102	1079 9910 95	1	Label			1202 6584 00			4)
1103	1079 9910 96	1	Label			1503 1056 00			Others
1110	1614 9599 00	1	Stay	1)	4015	1614 9862 00	1	Plate	4)
1120	1089 9068 01	1	Key		5005	<<< >>>	1	Air dryer	
1125	1614 9615 00	1	Panel	1)			AR	Bolt	
1126	2252 7237 00	2	Doorlock					M8 x 16	
1127	1619 5188 00	AR	Scal			0147 1322 03		M8 x 20	
1130	1614 9592 00	4	Door	1)		1619 2766 00		M8 x 25	
1131	2252 7237 00	4	Doorlock			0147 1325 03		M8 x 30	
1135			Door			1079 1472 06		M8 x 30	
	1614 9592 00	4		1)3)		1619 5337 01		M12 x 50	
	1614 9592 00	3		1)2)		0147 1405 03		Washer	
1136	0690 1140 01	1	House mark				AR	Ø8,4 x 16 x 1.6	
1140	1614 9593 00	3	Door	1)		0301 2335 00		Ø13 x 24 x 2.5	
1145	1614 9703 00	1	Panel	1)2)		0301 2358 00			
1155	1614 9401 00	1	Baffle	1)2)					
1156	1088 0412 06	2	Flange	2)					
1157	1088 0497 06	2	Gasket	2)					
2010	1614 9895 00	1	Roof	1)					
2025	1614 9573 00	1	Roof	1)					
2040	1621 9042 00	1	Roof	1)					
2060	1614 9907 00	1	Roof	1)					
2075	1614 9749 00	1	Stay	1)					

- 1) Lined with / Bekledd med / Beklädd med / Ausgekleidet mit / Garnir de / Rivestido de / Allincato con / Foret med / Revestido com / Kledd med / Vuorattu ;
Foam: 0395 6001 69 (AR) 50 x 2040 x 1650
- 2) Medium voltage
- 3) Low voltage
- 4) Only for units with heavy duty filter

21

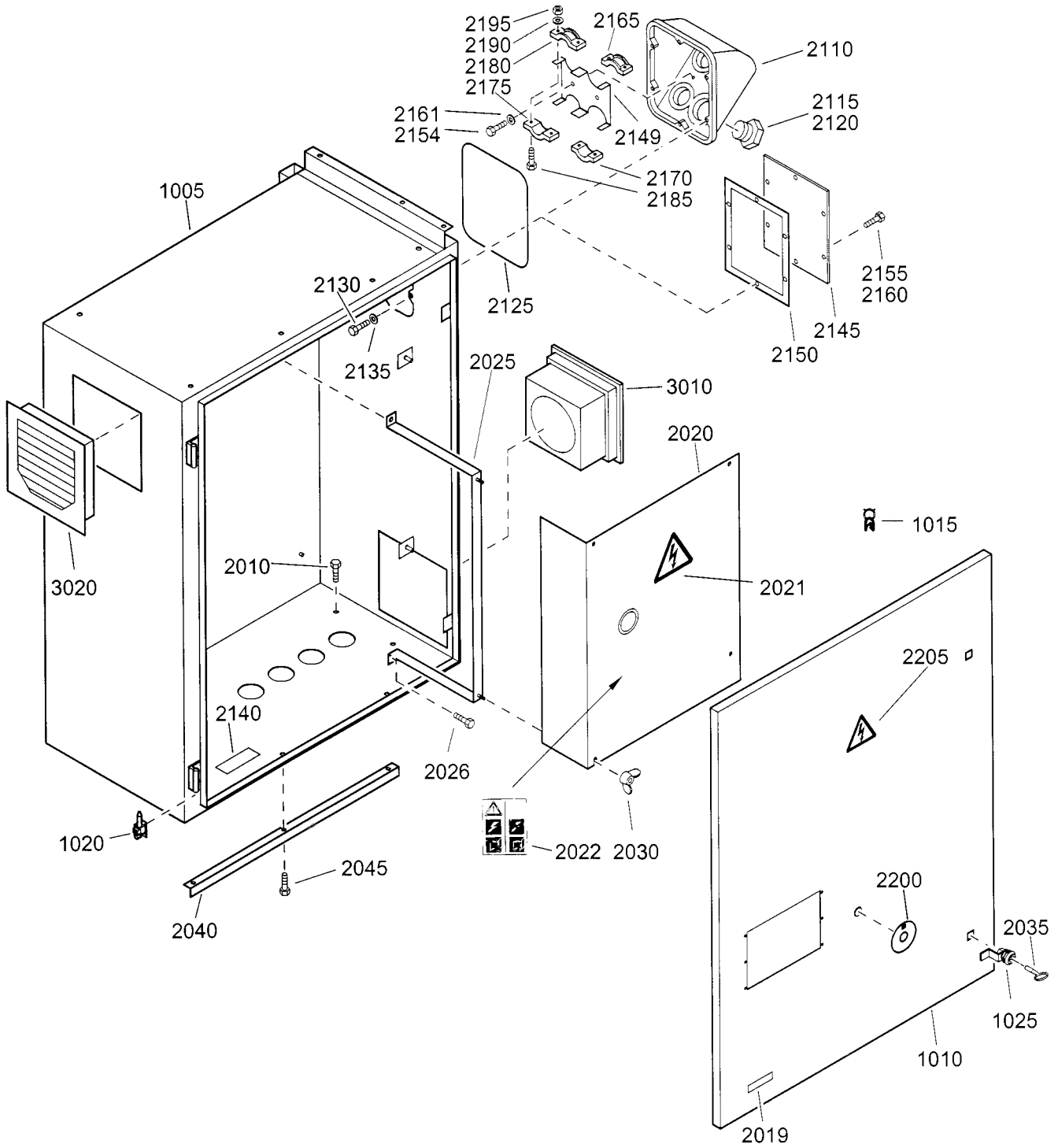


Cubicle 1)

Ref.	Part number	Qty	Name	Remarks	Ref.	Part number	Qty	Name	Remarks
		1	Cubicle		2135	0301 2335 00	6	Washer	
	1614 9904 80		HAT version		2140	1613 5330 00	1	Listing mark	(CSA/UL)
	1614 9903 80		Others		2145	1614 7146 00	1	Flange	(CSA/UL)
1005		• 1	Cubicle		2149	1614 6566 00	1	Plate	
	1614 9904 00		HAT version		2150	1614 7145 00	1	Gasket	(CSA/UL)
	1614 9903 00		Others		2154	0147 1322 03	2	Bolt	
1010	1614 9905 00	• 1	Door		2155	0147 1325 03	6	Bolt	(CSA/UL)
1015	1202 6584 00	• AR	Seal		2160	0266 2110 00	6	Nut	(CSA/UL)
1020	1614 9106 03	• 2	Pin		2161	0301 2335 00	2	Washer	
1025	1619 7704 00	• 2	Lock		2165	1614 6562 00	2	Clamp	
2010	1079 1472 06	4	Bolt		2170	1614 6563 00	2	Clamp	
2019	1613 3431 00	1	Label	(CSA/UL)	2175	1614 6565 00	2	Clamp	
2020		1	Screen		2180	1614 6564 00	2	Clamp	
	1614 9872 00		HAT version		2185	0147 1250 03	8	Bolt	
	1614 8924 00		Others		2190	0301 2321 00	8	Washer	
2021	1088 1001 04	1	Warning mark		2195	0266 2108 00	8	Nut	
2022	1079 9901 67	1	Label		2200	1614 8071 00	1	Label	
2025	1614 9108 00	1	Bracket		2205	1088 1001 01	1	Warning mark	
2026	1619 2766 00	2	Bolt		2207	1079 9920 56	1	Label	
2030	0296 1108 02	4	Wing nut		3010		1	Fan motor	
2035	1089 9154 02	1	Key					HAT version	
2040	1614 9380 00	1	Bracket			1089 0598 01		50Hz	
2045	1079 1472 06	3	Bolt			1089 0598 02		60Hz	
2110	1614 6571 00	1	Cable box		3020	1089 0598 03	1	Filter	
2115	1088 0524 09	2	Plug					HAT version	
2120	1088 0524 10	2	Plug						
2125	1614 6567 00	1	Scal						
2130	0147 1322 03	6	Bolt						

HAT version : High Ambient Temperature

22

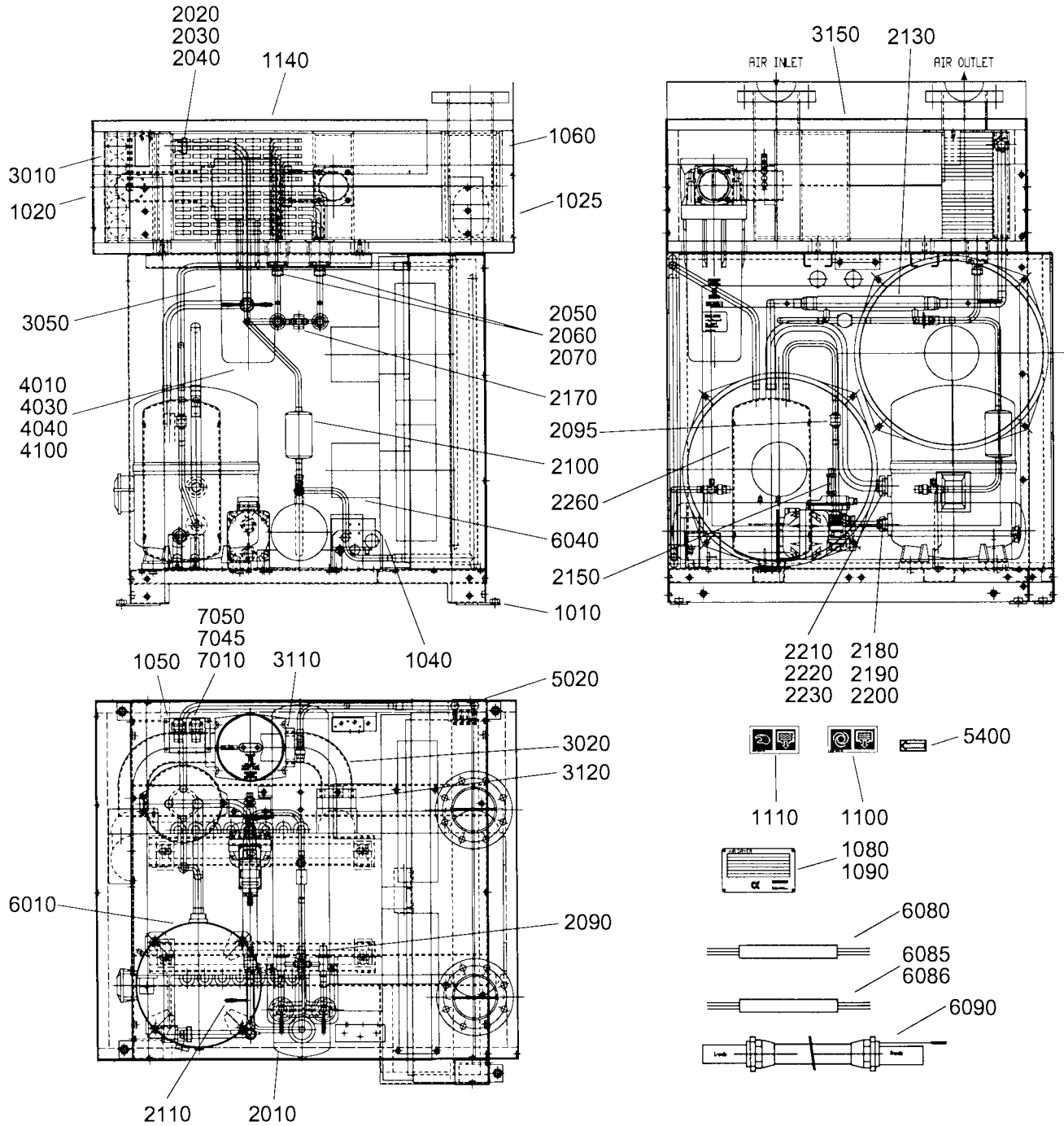


Cubicle 2)

Ref.	Part number	Qty	Name	Remarks	Ref.	Part number	Qty	Name	Remarks
	1621 4506 80	1	Cubicle		2135	0301 2335 00	6	Washer	
	1621 4501 80		HAT version		2140	1613 5330 00	1	Listing mark	(CSA/UL)
			Others		2145	1614 7146 00	1	Flange	(CSA/UL)
1005		• 1	Cubicle		2149	1614 6566 00	1	Plate	
	1621 4506 00		HAT version		2150	1614 7145 00	1	Gasket	(CSA/UL)
	1621 4501 00		Others		2154	0147 1322 03	2	Bolt	
1010	1621 4601 00	• 1	Door		2155	0147 1325 03	6	Bolt	(CSA/UL)
1015	1202 6584 00	• AR	Seal		2160	0266 2110 00	6	Nut	(CSA/UL)
1020	1614 9106 03	• 2	Pin		2161	0301 2335 00	2	Washer	
1025	1619 7704 00	• 2	Lock		2165	1614 6562 00	2	Clamp	
2010	1079 1472 06	4	Bolt		2170	1614 6563 00	2	Clamp	
2019	1613 3431 00	1	Label	(CSA/UL)	2175	1614 6565 00	2	Clamp	
2020		1	Screen		2180	1614 6564 00	2	Clamp	
	1621 9286 00		HAT version		2185	0147 1250 03	8	Bolt	
	1621 9285 00		Others		2190	0301 2321 00	8	Washer	
2021	1088 1001 04	1	Warning mark		2195	0266 2108 00	8	Nut	
2022	1079 9901 67	1	Label		2200	1621 0478 00	1	Label	
2025	1614 9108 00	1	Bracket		2205	1088 1001 01	1	Warning mark	
2026	1619 2766 00	2	Bolt		3010		1	Fan motor	
2030	0296 1108 02	4	Wing nut			1089 0598 01		HAT version	
2035	1089 9154 02	1	Key			1089 0598 02		230V-50/60Hz	
2040	1614 9380 00	1	Bracket			1089 0598 02		115V-50/60Hz	CSA/UL
2045	1079 1472 06	3	Bolt		3020	1089 0598 03	1	Filter	
2110	1614 6571 00	1	Cable box					HAT version	
2115	1088 0524 09	2	Plug						
2120	1088 0524 10	2	Plug						
2125	1614 6567 00	1	Seal						
2130	0147 1322 03	6	Bolt						

HAT version : High Ambient Temperature

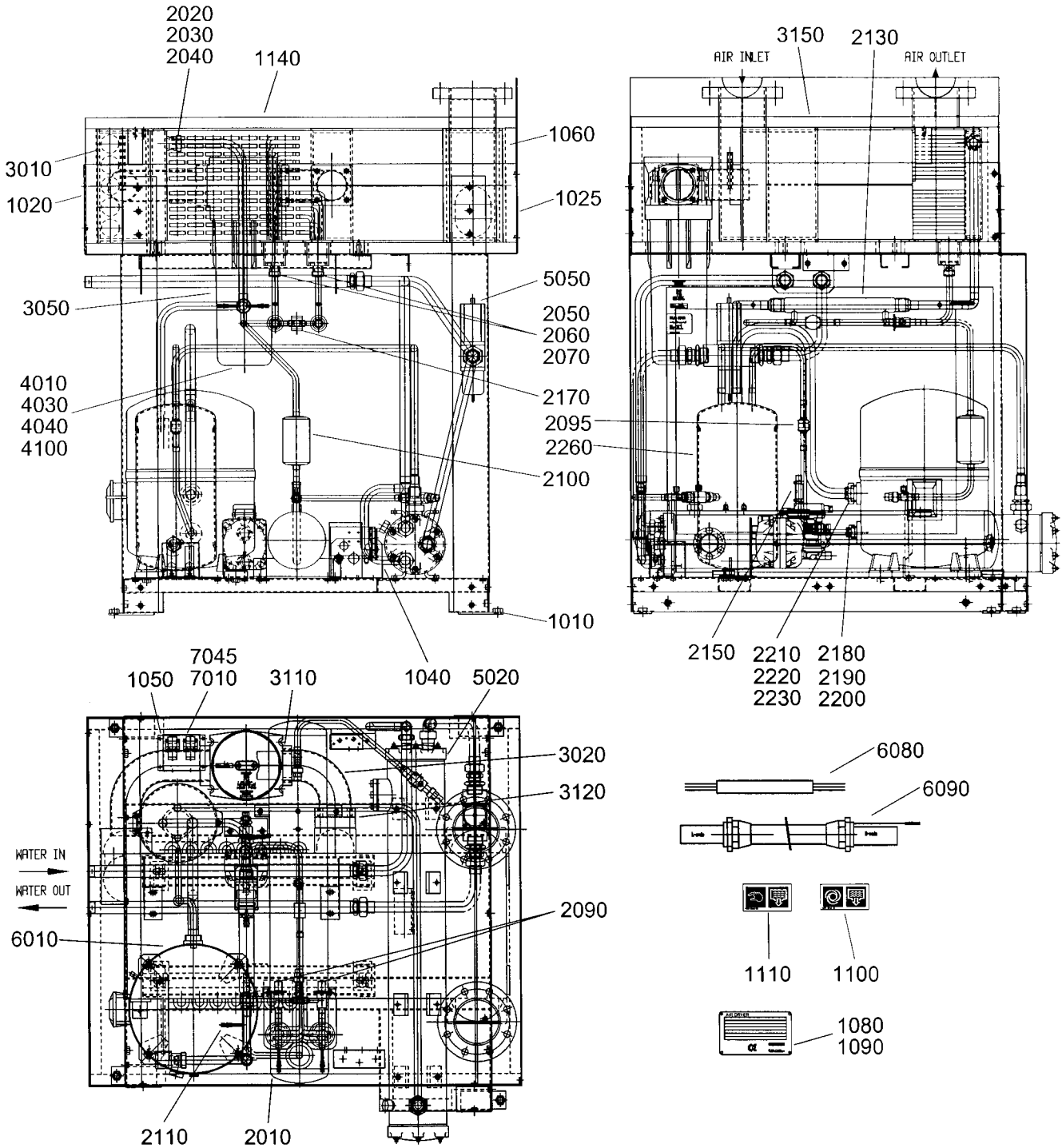
23



Air dryer - GA

Ref.	Part number	Qty	Name	Remarks	Ref.	Part number	Qty	Name	Remarks
		1	Air dryer		4100	0070 6002 13	•	AR Plastic tube	
	1617 2165 81		380-415V/50Hz		5020	1617 2137 00	•	1 Condensor	
	1617 2165 82		500V/50Hz		5400	1503 0786 00	•	2 Rotation arrow	
	1617 2165 86		440-460V/60Hz		6010		•	1 Refrigerant compressor	
	1617 2165 87		380V/60Hz			1619 7675 26		380-415V/50Hz, 440-460V/60Hz	
	1617 2165 88		575V/60Hz			1619 7675 28		380V 60Hz	
1010	1617 2133 00	•	1 Frame			1619 7675 33		500V/50Hz, 575V/60Hz	
1020	1617 2134 00	•	1 Support left		6040		•	2 Fan ass'y	
1025	1617 2135 00	•	1 Support right		1617 1183 81			380-415V/50Hz	
1040	1617 2069 00	•	1 Support		1617 1183 82			500V/50Hz, 575V/60Hz, 440-460V/60Hz	
1050	1617 2313 00	•	1 Box ip54		1614 9608 03		••	1 Fan motor	
1060	1617 2136 00	•	1 Box		1617 2382 00			380-415V/50Hz	
1080	1617 0745 00	•	1 Data plate		1617 2383 00			500V/50Hz, 575V/60Hz, 440-460V/60Hz	
1090	0129 3103 00	•	4 Blind rivet			1080 4049 07		380V 60Hz	
1100	1079 9915 89	•	1 Label				••	1 Fan	
1110	1079 9915 98	•	1 Label		1614 9623 00			380V 60Hz	
1140	1617 2631 00	•	1 Cover		1617 0526 00			Others	
2010	1617 1565 00	•	1 Liquid receiver		1614 9614 00		••	1 Fan guard	
2020	1617 0488 00	•	1 Sleeve		1617 0364 00		••	1 Adapter	
2030	1617 0476 00	•	1 Nut		1617 0136 00			380-415V/50Hz, 500V/50Hz, 575V/60Hz, 440-460V/60Hz	
2040	1617 0320 00	•	1 Ring		6080		•	1 Cable (compressor)	
2050	1617 0386 00	•	2 Sleeve			1617 2512 01		60Hz	CSA/UL
2060	1617 0314 00	•	2 Nut			1617 2512 04		50Hz	
2070	1617 0315 00	•	2 Ring		6085		•	1 Cable (fan 1)	
2090	1619 6768 17	•	2 Expansion valve			1617 2512 02		60Hz	CSA/UL
2095	1617 2384 00	•	1 Non return valve			1617 2512 05		50Hz	
2100	1619 5566 04	•	1 Freon dryer		6086		•	1 Cable (fan 2)	
2110	1619 5563 06	•	4 Non return valve			1617 2512 03		60Hz	CSA/UL
2130	1617 0962 00	•	1 Freon exchanger			1617 2512 06		50Hz	
2150	1617 2248 00	•	1 Safety valve		6090		•	1 Wiring (regulating)	
2170	1619 5567 04	•	1 Sight glass			1617 2498 00		60Hz	CSA/UL
2180	1617 0314 00	•	1 Nut			1617 2497 00		50Hz	
2190	1617 0386 00	•	1 Sleeve		7010	1089 9214 10	•	1 Pressure switch	
2200	1617 0315 00	•	1 Ring		7045	1617 2618 00	•	2 Capillar connection	
2210	1617 0476 00	•	1 Nut		7050	1089 9214 33	•	1 Pressure switch	
2220	1617 1124 00	•	1 Sleeve						
2230	1617 0320 00	•	1 Ring						
2260	1617 2317 00	•	1 Liquid seperator						
	1603 2132 80	•	1 Heat exchanger set						
3010	1617 2132 00	••	1 Heat exchanger						
3020	1617 1247 00	••	1 Connector						
3050	1613 6728 00	•	1 Waterseparator						
3110	0663 2107 46	•	2 O-ring						
3120	0650 1001 21	•	1 Gasket						
3150	1617 2318 80	•	1 Insulation box						
4010	0653 1062 00	•	2 Flat gasket						
4030	0581 0000 35	•	2 Straight coupling						
4040	0070 6002 05	•	AR Plastic tube						

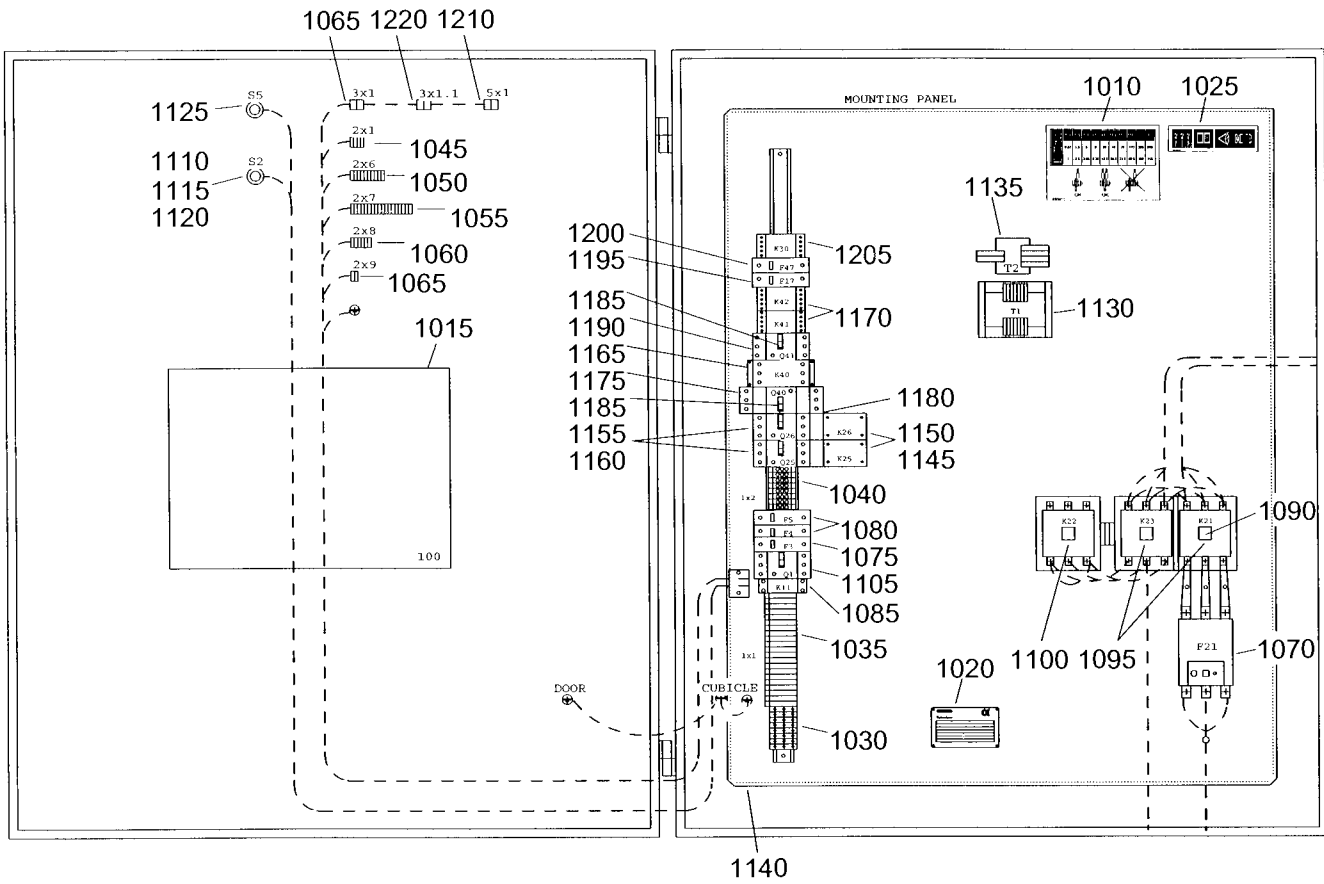
24



Air dryer - GA W

Ref.	Part number	Qty	Name	Remarks	Ref.	Part number	Qty	Name	Remarks
	1617 2166 81	1	Air dryer		2200	1617 0315 00 •	1	Ring	
			380-415V/50Hz		2210	1617 0476 00 •	1	Nut	
	1617 2166 82		500V/50Hz		2220	1617 1124 00 •	1	Sleeve	
	1617 2166 86		440-460V/60Hz		2230	1617 0320 00 •	1	Ring	
	1617 2166 87		380V/60Hz		2260	1617 2317 00 •	1	Liquid separator	
	1617 2166 88		575V/60Hz			1603 2132 80 •	1	Heat exchanger set	
1010	1617 2133 00 •	1	Frame		3010	1617 2132 00 ••	1	Heat exchanger	
1020	1617 2134 00 •	1	Support left		3020	1617 1247 00 ••	1	Connector	
1025	1617 2135 00 •	1	Support right		3050	1613 6728 00 •	1	Waterseparator	
1040	1617 2069 00 •	1	Support		3110	0663 2107 46 •	2	O-ring	
1050	1617 2313 00 •	1	Box ip54		3120	0650 1001 21 •	1	Gasket	
1060	1617 2136 00 •	1	Box		3150	1617 2318 80 •	1	Insulation box	
1080	1617 0745 00 •	1	Data plate		4010	0653 1062 00 •	2	Flat gasket	
1090	0129 3103 00 •	4	Blind rivet		4030	0581 0000 35 •	2	Straight coupling	
1100	1079 9915 89 •	1	Label		4040	0070 6002 05 •	AR	Plastic tube	
1110	1079 9915 98 •	1	Label		4100	0070 6002 13 •	AR	Plastic tube	
1140	1617 2631 00 •	1	Cover		5020	1617 1131 01 •	1	Condensor	
2010	1617 1565 00 •	1	Liquid receiver		5050	1617 2043 02 •	1	Regulating valve	
2020	1617 0488 00 •	1	Sleeve		6010		•	Refrigerant compressor	
2030	1617 0476 00 •	1	Nut			1619 7675 26		380-415V/50Hz, 440-460V/60Hz	
2040	1617 0320 00 •	1	Ring			1619 7675 28		380V 60Hz	
2050	1617 0386 00 •	2	Sleeve			1619 7675 33		500V/50Hz, 575V/60Hz	
2060	1617 0314 00 •	2	Nut						
2070	1617 0315 00 •	2	Ring						
2090	1619 6768 17 •	2	Expansion valve		6080		•	Cable (compressor)	
2095	1617 2384 00 •	1	Non return valve			1617 2512 01		440-460V/60Hz	
2100	1619 5566 04 •	1	Freon dryer			1617 2512 04		Others	
2110	1619 5563 06 •	4	Non return valve		6090		•	Wiring (regulation)	
2130	1617 0962 00 •	1	Freon exchanger			1617 2498 00		440-460V/60Hz	
2150	1617 2248 00 •	1	Safety valve			1617 2497 00		Others	
2170	1619 5567 04 •	1	Sight glass		7010	1089 9214 10 •	1	Pressure switch	
2180	1617 0314 00 •	1	Nut		7045	1617 2618 00 •	2	Capillar connection	
2190	1617 0386 00 •	1	Sleeve						

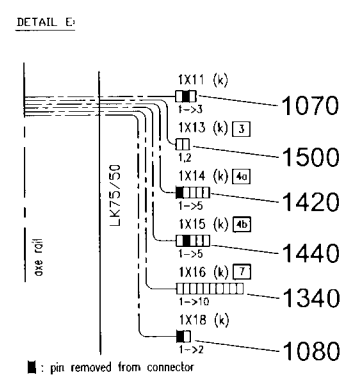
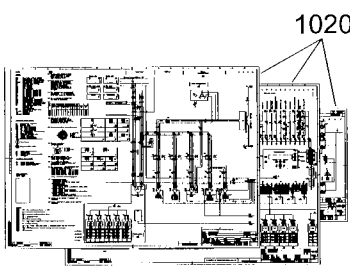
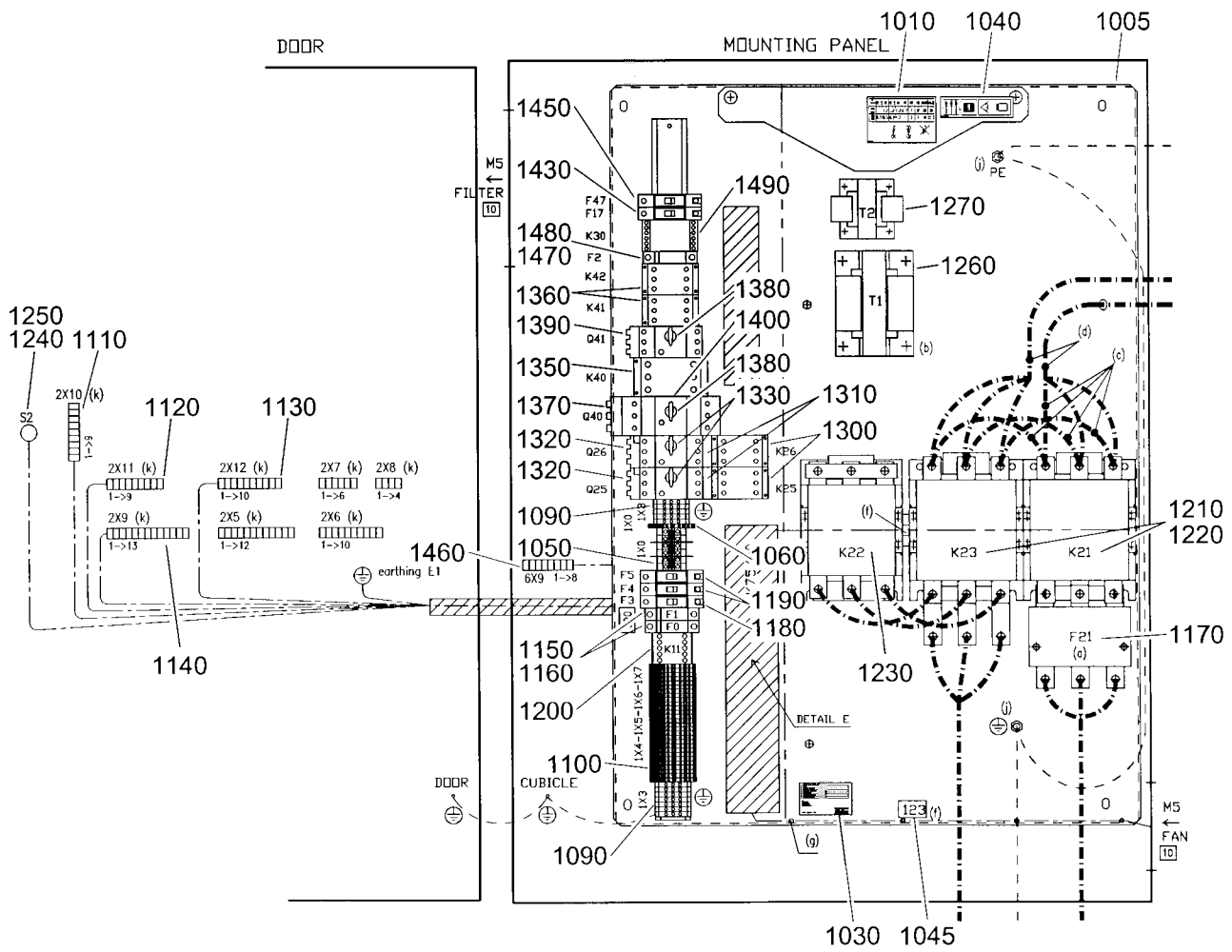
25



Start cubicle - star/delta - Control Voltage 230/24V - Full options 1)

25

Ref.	Part number	Qty	Name	Remarks	Ref.	Part number	Qty	Name	Remarks
		1	Control panel		1145			Contactor	
	1900 3103 15		GA200 400V/50Hz			1089 9415 21	2	1)2)3)4)	Aircooled
	1900 3103 16		GA250 400V/50Hz			1089 9415 23	2	8)9)10)	Aircooled
	1900 3103 19		GA200 500V/50Hz			1089 9415 11	1		Watercooled
	1900 3103 20		GA250 500V/50Hz		1150			Connection element	
	1900 3104 15		GA200 380V/60Hz			1089 9416 91	2	1)2)3)4)8)9)10)	Aircooled
	1900 3104 16		GA250 380V/60Hz			1089 9416 06	1		Watercooled
	1900 3104 17		GA315 380V/60Hz		1155			Circuit breaker	
	1900 3104 19		GA200 440-460V/60Hz			1089 9416 70	2	1)2)8)9)10)	Aircooled
	1900 3104 20		GA250 440-460V/60Hz			1089 9416 69	2	3)4)	Aircooled
	1900 3104 21		GA315 440-460V/60Hz			1089 9416 21	1	1)2)5)6)7)	Watercooled
1010	1079 9906 09	• 1	Label			1089 9416 20	1	3)4)8)9)10)	Watercooled
1015	9823 1821 01	• 1	Label		1160			Contact block	
1020	1613 6639 00	• 1	Data plate			1089 9416 07	2	1)2)3)4)8)9)10)	Aircooled
1025	1079 9901 68	• 1	Label			1089 9416 07	1		Watercooled
1030	1089 0506 27	• 10	Terminal		1165			Contactor	
1035	1089 9398 11	• 36	Terminal			1089 9415 31		1)2)	
1040	1089 0506 06	• 6	Terminal			1089 9415 23		3)4)	
1045	1088 0024 04	• 1	Connector			1089 9415 32		5)6)7)8)9)10)	
1050	1088 0024 10	• 1	Connector		1170		2	Contactor	
1055	1088 0024 18	• 1	Connector			1089 9415 11		1)2)3)4)	Aircooled
1060	1088 0000 06	• 1	Connector			1089 9415 12		5)6)7)	Aircooled
1065	1088 0024 02	• 2	Connector		1175		1	Circuit breaker	
1070		• 1	Overload relay			1089 9416 84		1)2)	
	1089 9399 02		3)			1089 9416 73		3)4)	
	1089 9399 03		1)2)4)5)6)7)8)9)10)			1089 9416 81		5)6)7)8)9)10)	
1075	1089 9203 11	• 1	Circuit breaker		1180		1	Connection element	
1080	1089 9203 04	• 2	Circuit breaker			1089 9416 91		3)4)	
1085	1089 9388 01	• 1	Interface relay		1185			Contact block	
1090	1089 9221 95	• 1	Contact block			1089 9416 07	2		Aircooled
1095		• 2	Contactor			1089 9416 07	1		Watercooled
	1089 9221 30		3)		1190		1	Circuit breaker	
	1089 9421 14		7)			1089 9416 27		1)2)3)4)	Aircooled
	1089 9221 96		1)2)4)5)6)8)9)10)			1089 9416 29		5)6)7)8)9)10)	Aircooled
1100		• 1	Contactor		1195	1089 9203 23	1	Circuit breaker	
	1089 9421 11		1)4)8)		1200	1089 9203 23	1	Circuit breaker	
	1089 9221 30		2)5)		1205		1	Phase sequence relay	
	1089 9221 03		3)			1089 9461 01		1)2)5)6)7)	
	1089 9421 12		6)7)9)10)			1089 9461 03		3)4)8)9)10)	
1105		• 1	Circuit breaker		1210	1088 0024 02	1	Connector	
	1089 9416 24		1)2)9)10)		1220	1088 0024 02	1	Connector	
	1089 9416 23		3)4)8)						
	1089 9416 25		5)6)7)						
1110	1089 0362 51	• 1	Emergency stop button		1)	GA200 400V/50Hz			
1115	1089 0362 50	• 1	Contact block		2)	GA250 400V/50Hz			
1120	1089 0362 58	• 1	Contact block		3)	GA200 500V/50Hz			
1125	1089 9082 24	• 1	Key switch		4)	GA250 500V/50Hz			
1130		• 1	Transformer		5)	GA200 380V/60Hz			
	1089 9136 98		1)2)		6)	GA250 380V/60Hz			
	1089 9436 07		3)4)8)		7)	GA315 380V/60Hz			
	1089 9436 08		5)6)7)9)10)		8)	GA200 440-460V/60Hz			
1135	1089 9436 11	• 1	Transformer		9)	GA250 440-460V/60Hz			
1140	1614 9906 00	• 1	Mounting plate		10)	GA315 440-460V/60Hz			

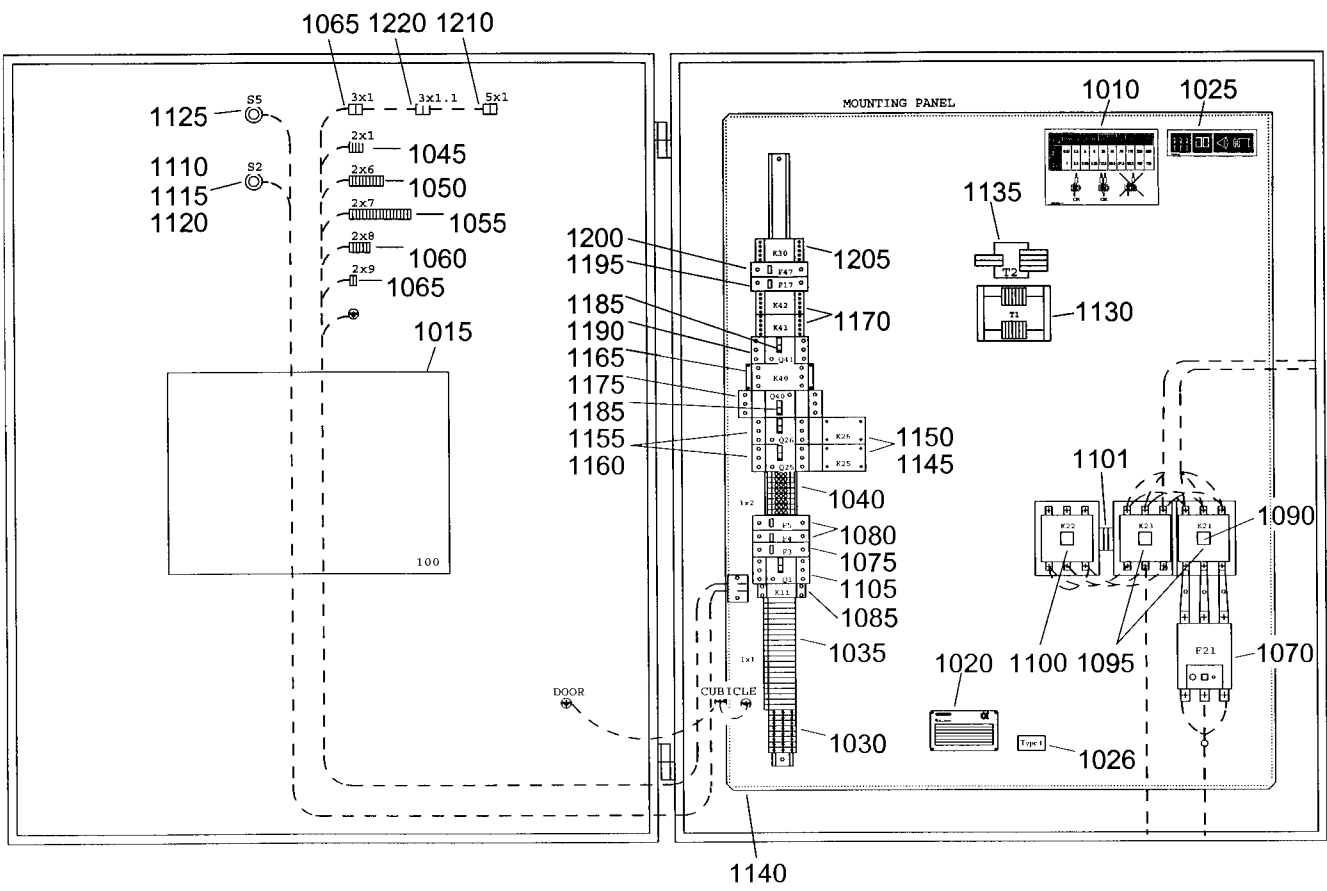


Start cubicle - star/delta - Control Voltage 230/24V - Full options 2)

26

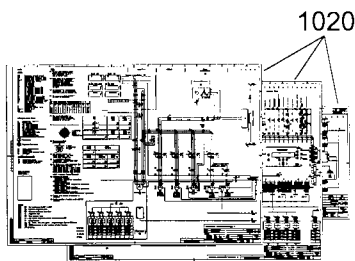
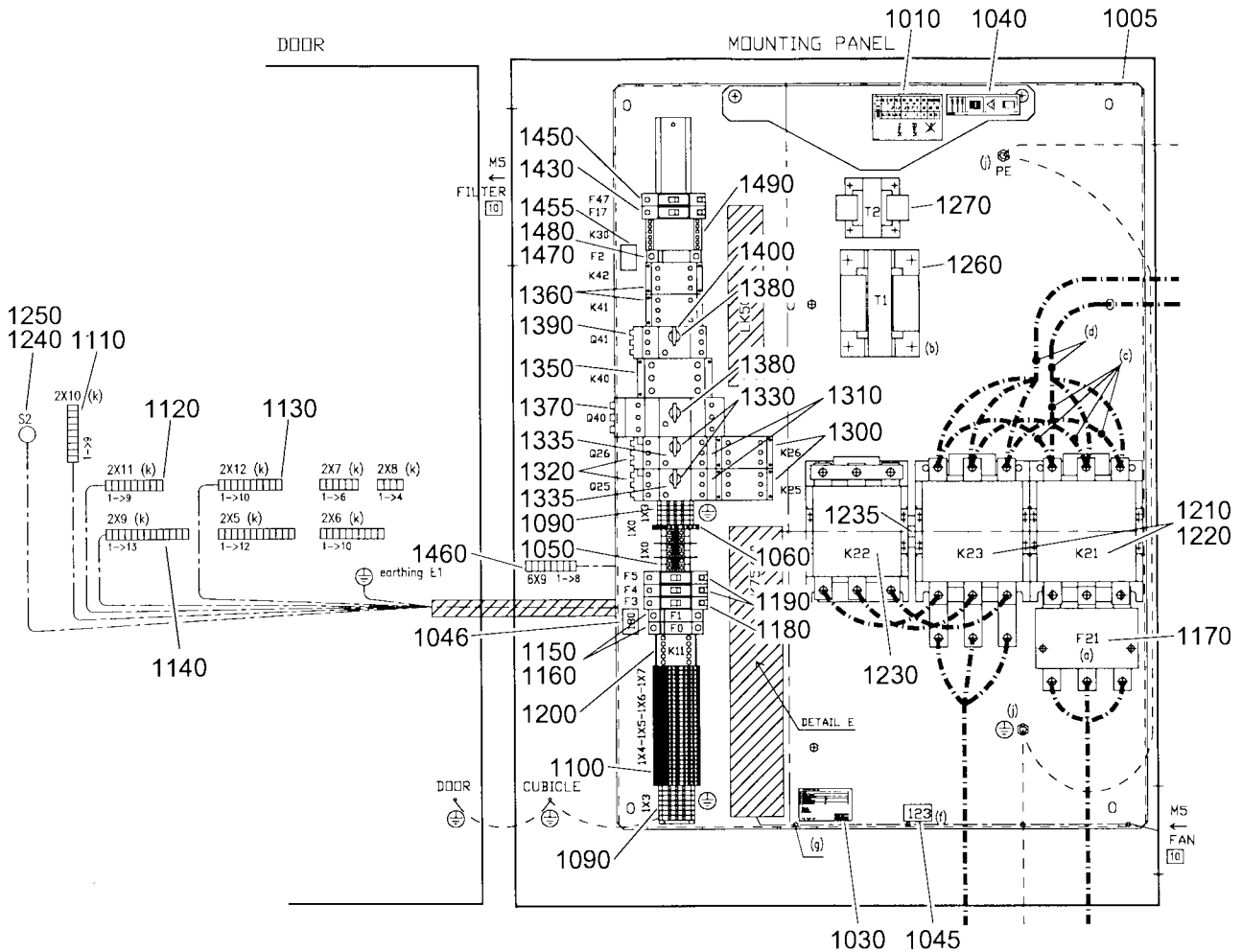
Ref.	Part number	Qty	Name	Remarks	Ref.	Part number	Qty	Name	Remarks
	1900 3130 10	1	Control panel		1310			Connection element	
			GA200 400V/50Hz,		1089 9416 91	•	2	1)3)4)5)	Aircooled
			GA200 500V/50Hz,					6)7)8)10)	Aircooled
			GA200 440-460V/60Hz,		1089 9416 06	•	2	2)9)	Aircooled
	1900 3130 11		GA250 400V/50Hz,		1089 9416 06	•	1		Watercooled
			GA200 380V/60Hz,		1320			Circuit breaker	
			GA250 380V/60Hz,		1089 9416 70	•	2	1)3)4)5)	Aircooled
			GA250 440-460V/60Hz,					6)7)8)10)	Aircooled
			GA315 440-460V/60Hz,		1089 9416 29	•	2	2)9)	Aircooled
	1900 3130 12		GA250 500V/50Hz,		1089 9416 21	•	1	1)4)5)6)10)	Watercooled
	1900 3130 13		GA315 380V/60Hz,		1089 9416 20	•	1	2)3)7)8)9)	Watercooled
1005	1614 9906 00	• 1	Mounting plate		1330			Contact block	
1010	1079 9906 09	• 1	Label		1089 9416 07	•	2		Aircooled
1020	9823 1821 11	• 1	Service diagram		1089 9416 07	•	1		Watercooled
1030	1613 6639 00	• 1	Data plate		1340	1088 0031 10	• 1	Connector	1X16
1040	1079 9901 68	• 1	Label		1350			Contact block	
1045	1079 9911 01	• 1	Label		1089 9415 31	•		1)4)	
1050	1089 0506 06	• 6	Terminal 16-1P		1089 9415 23	•		2)9)	
1060		• 1	Terminal 4mm ²		1089 9415 32	•		3)5)6)7)8)10)	
1070	1088 0031 03	• 1	Connector	1X11	1360			Contact block	
1080	1088 0031 02	• 1	Connector	1X18	1089 9415 11	•	2	1)2)4)9)	Aircooled
1090	1089 0506 27	• 13	Terminal	1X3	1089 9415 13	•		3)5)6)7)8)10)	
1100	1089 9398 11	• 27	Terminal	1X4-1X5- 1X6-1X7	1370			Circuit breaker	
1110	1088 0031 49	• 1	Connector	2X10	1089 9416 84	•	1	1)4)	
1120	1088 0031 29	• 1	Connector	2X11	1089 9416 73	•		2)9)	
1130	1088 0031 30	• 1	Connector	2X12	1089 9416 81	•		3)5)6)7)8)10)	
1140	1088 0031 13	• 1	Connector	2X9	1380			Contact block	
1150	1089 0612 25	• 2	Fuse		1089 9416 07	•	2		Aircooled
1160	1089 0612 01	• 2	Fuse holder		1089 9416 07	•	1		Watercooled
1170		• 1	Overload relay		1390			Circuit breaker	Aircooled
	1089 9446 22		1)2)3)9)		1089 9416 27	•	1	1)2)4)9)	
	1089 9446 23		4)5)6)7)8)10)		1089 9416 29	•		3)5)6)7)8)10)	
1180	1089 9203 11	• 1	Circuit breaker		1400			Connecting element	
1190	1089 9203 11	• 2	Circuit breaker		1089 9416 91	•	1	2)9)	
1200	1089 9415 17	• 1	Contact block		1420	1088 0031 05	• 1	Connector	1X14
1210		• 2	Contact block		1430	1089 9203 31	• 1	Circuit breaker	
	1089 9415 78		1)2)3)		1440	1088 0031 05	• 1	Connector	1X15
	1089 9415 80		4)5)6)7)8)		1450	1089 9203 31	• 1	Circuit breaker	
	1089 9415 79		9)		1460	1088 0031 08	• 1	Connector	6X9
	1089 9415 74		10)		1470	1089 0612 24	• 1	Fuse	
1220		• 2	Contact block		1480	1089 0612 01	• 1	Fuse holder	
1230		• 1	Contact block		1490			Phase sequence relay	
	1089 9415 58		1)2)3)9)		1089 9461 01	•		1)4)5)6)10)	
	1089 9415 78		4)5)6)7)8)10)		1089 9461 03	•		2)3)7)8)9)	
1240	1089 0362 51	• 1	Emergency stop button		1500	1088 0031 02	• 1	Connector	1X13
1250	1089 0362 58	• 1	Contact block		1)	GA200 400V/50Hz			
1260		• 1	Transformer		2)	GA200 500V/50Hz			
	1089 9436 08		1)2)3)4)5)6)7)8)10)		3)	GA200 440-460V/60Hz			
	1089 9436 07		9)		4)	GA250 400V/50Hz			
1270	1089 9136 93	• 1	Transformer		5)	GA200 380V/60Hz			
1300		•	Contact block		6)	GA250 380V/60Hz			
	1089 9415 21	2	1)3)4)5)	Aircooled	7)	GA250 440-460V/60Hz			
			6)7)8)10)	Aircooled	8)	GA315 440-460V/60Hz			
	1089 9415 13	2	2)9)	Aircooled	9)	GA250 500V/50Hz			
	1089 9415 11	1		Watercooled	10)	GA315 380V/60Hz			

27

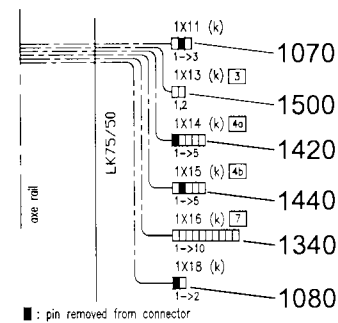


Start cubicle - star/delta - Control Voltage 115/24V - CSA/UL - Full options 1)

Ref.	Part number	Qty	Name	Remarks	Ref.	Part number	Qty	Name	Remarks
		1	Control panel C,U		1135	1089 9436 11 •	1	Transformer	
	1900 3105 19		GA200 440-460V/60Hz.		1140	1614 9906 00 •	1	Mounting plate	
	1900 3105 20		GA250 440-460V/60Hz.		1145			Contactors	
	1900 3105 21		GA315 440-460V/60Hz.			1089 9415 24	2		Aircooled
	1900 3105 23		GA200 575V/60Hz.			1089 9415 14	1		Watercooled
	1900 3105 24		GA250 575V/60Hz.		1150			Connection element	
	1900 3105 25		GA315 575V/60Hz.			1089 9416 91	2		Aircooled
1010	1079 9906 09 •	1	Label			1089 9416 06	1		Watercooled
1015	9823 1821 01 •	1	Label		1155			Circuit breaker	
1020	1613 3046 00 •	1	Data plate			1089 9416 70	2	1)2)3)	Aircooled
1025	1079 9901 68 •	1	Label			1089 9416 69	2	4)5)6)	Aircooled
1026	1079 9911 01 •	1	Label			1089 9416 21	1	1)2)3)	Watercooled
1030	1089 0506 27 •	10	Terminal			1089 9416 20	1	4)5)6)	Watercooled
1035	1089 9398 11 •	36	Terminal		1160			Contact block	
1040	1089 0506 06 •	6	Terminal			1089 9416 07	2		Aircooled
1045	1088 0024 04 •	1	Connector			1089 9416 07	1		Watercooled
1050	1088 0024 10 •	1	Connector		1165			Contactors	
1055	1088 0024 18 •	1	Connector			1089 9415 35		1)2)3)	
1060	1088 0000 06 •	1	Connector			1089 9415 34		4)5)6)	
1065	1088 0024 02 •	2	Connector		1170	1089 9415 14	2	Contactors	Aircooled
1070	1089 9399 12 •	1	Overload relay		1175			Circuit breaker	
1075		•	Circuit breaker			1089 9416 81		1)2)3)	
	1089 9203 38		1)2)3)			1089 9416 84		4)5)6)	
	* * *		4)5)6)		1185			Contact block	
1080	1089 9203 36 •	2	Circuit breaker			1089 9416 07	2		Aircooled
1085	1089 9388 01 •	1	Interface relay			1089 9416 07	1		Watercooled
1090	1089 9221 95 •	1	Contact block		1190			Circuit breaker	
1095		•	Contactors			1089 9416 69		1)2)3)	Aircooled
	1089 9221 50		1)5)6)			1089 9416 68		4)5)6)	Aircooled
	1089 9221 94		2)3)		1195	1089 9203 31	1	Circuit breaker	
	1089 9221 43		4)		1200	1089 9203 31	1	Circuit breaker	
1100		•	Contactors		1205			Phase sequence relay	
	1089 9221 43		1)3)			1089 9461 03		1)2)3)	
	1089 9221 49		2)			1089 9461 04		4)5)6)	
	1089 9221 48		4)5)		1210	1088 0024 02	1	Connector	
	1089 9221 93		6)		1220	1088 0024 02	1	Connector	
1101	1089 9216 03 •	1	Interlock						
1105		•	Circuit breaker		1)	GA200 440-460V/60Hz.			
	1089 9416 24		1)2)3)		2)	GA250 440-460V/60Hz.			
	1089 9416 22		4)5)6)		3)	GA315 440-460V/60Hz.			
1110	1089 0362 51 •	1	Emergency stop button		4)	GA200 575V/60Hz.			
1115	1089 0362 50 •	1	Contact block		5)	GA250 575V/60Hz.			
1120	1089 0362 58 •	1	Contact block		6)	GA315 575V/60Hz.			
1125	1089 9082 24 •	1	Key switch						
1130		•	Transformer						
	1089 9436 09		1)2)3)						
	1089 9436 08		4)5)6)						



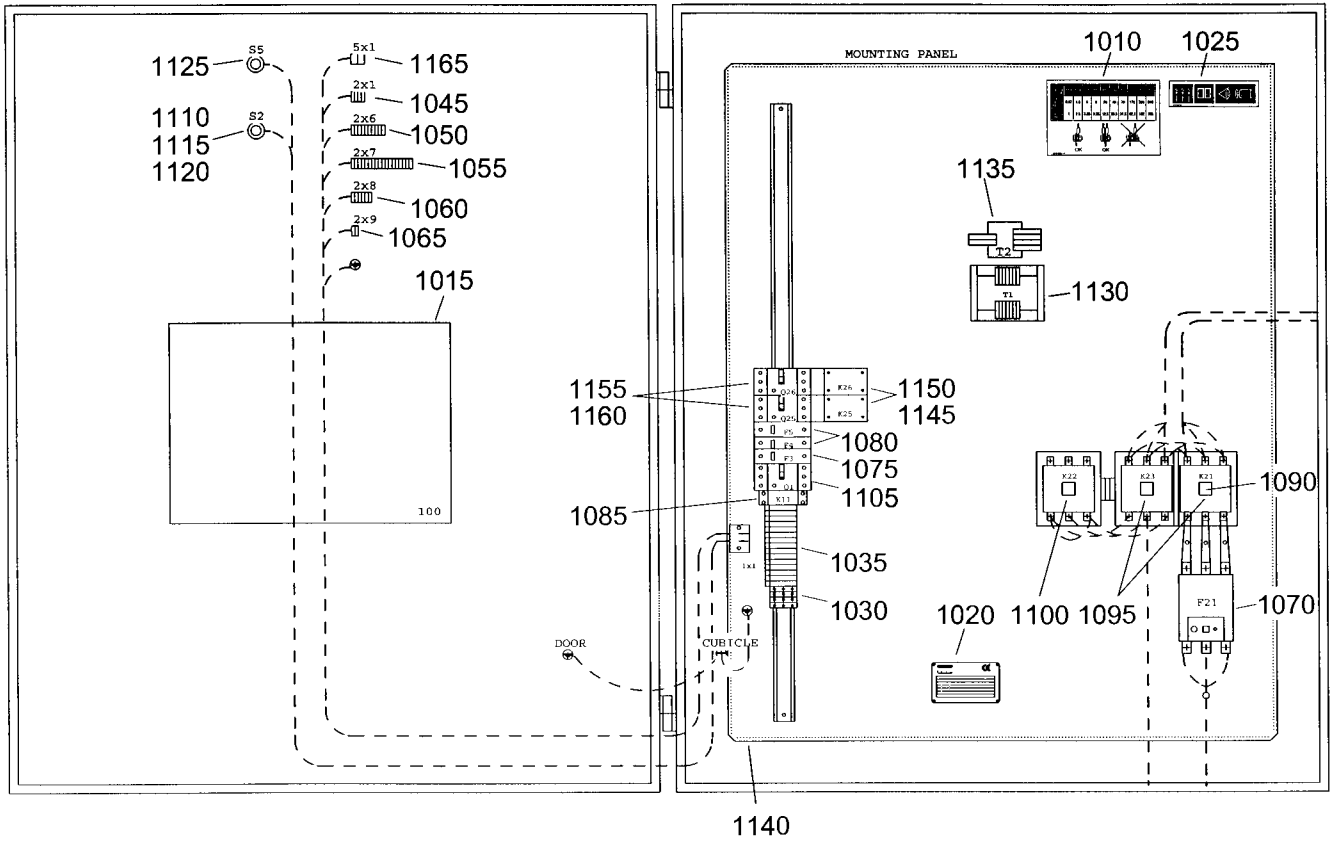
DETAIL E:



Start cubicle - star/delta - Control Voltage 115/24V - CSA/UL - Full options 2)

Ref.	Part number	Qty	Name	Remarks	Ref.	Part number	Qty	Name	Remarks
		1	Control panel C,U		1270	1089 9436 11	• 1	Transformer	
	1900 3131 10		GA200 440-460V/60Hz		1300		•	Contact	
	1900 3131 11		GA200 575V/60Hz			1089 9415 24	2		Aircooled
	1900 3131 12		GA250 440-460V/60Hz			1089 9415 24	1		Watercooled
	1900 3131 13		GA315 440-460V/60Hz		1310		•	Connecting element	
	1900 3131 14		GA250 575V/60Hz, GA315 575V/60Hz			1089 9416 91	2		Aircooled
1005	1614 9906 00	• 1	Mounting plate			1089 9416 91	1		Watercooled
1010	1079 9906 09	• 1	Label		1320		•	Circuit breaker	
1020	9823 1821 11	• 1	Service diagram			1089 9416 70	2	1)3)4)	Aircooled
1030	1614 8949 00	• 1	Data plate			1089 9416 69	2	2)5)6)	Aircooled
1040	1079 9901 68	• 1	Label			1089 9416 61	1	1)3)4)	Watercooled
1045	1079 9911 01	• 1	Label			1089 9416 60	1	2)5)6)	Watercooled
1046		• 1	Label		1330		•	Contact block	
	1079 9922 74		1)3)4)5)6)			1089 9416 07	2		Aircooled
	1079 9922 70		2)			1089 9416 07	1		Watercooled
1050	1089 0506 06	• 6	Terminal 16-1P		1335		•	Terminal block	
1060		• 1	Terminal 4mm ²			1089 9416 75	2		Aircooled
1070	1088 0031 03	• 1	Connector	1X11		1089 9416 75	1		Watercooled
1080	1088 0031 02	• 1	Connector	1X18	1340	1088 0031 10	• 1	Connector	1X16
1090	1089 0506 27	• 13	Terminal	1X3	1350		• 1	Contact	
1100	1089 9398 11	• 27	Terminal	1X4-1X5- 1X6-1X7		1089 9415 35		1)3)4)	
1110	1088 0031 49	• 1	Connector	2X10	1360	1089 9415 34		2)5)6)	
1120	1088 0031 29	• 1	Connector	2X11	1370	1089 9415 24	• 2	Contact	Aircooled
1130	1088 0031 30	• 1	Connector	2X12			• 1	Circuit breaker	
1140	1088 0031 13	• 1	Connector	2X9		1089 9416 81		1)3)4)	
1150		• 2	Fuse		1380	1089 9416 84		2)5)6)	
	1089 9168 27		1)3)4)5)6)				• 2	Contact block	Aircooled
	1089 9168 26		2)			1089 9416 07	1		Watercooled
1160	1089 0612 01	• 2	Fuse holder		1390		• 1	Circuit breaker	Aircooled
1170		• 1	Overload relay			1089 9416 69		1)3)4)	
	1089 9446 22		1)5)6)			1089 9416 68		2)5)6)	
	1089 9446 21		2)		1400	1089 9416 75	• 1	Terminal block	Aircooled
	1089 9446 23		3)4)		1420	1088 0031 05	• 1	Connector	1X14
1180	1089 9203 38	• 1	Circuit breaker		1430	1089 9203 31	• 1	Circuit breaker	
1190	1089 9203 36	• 2	Circuit breaker		1440	1088 0031 05	• 1	Connector	1X15
1200	1089 9415 17	• 1	Contact		1450	1089 9203 31	• 1	Circuit breaker	
1210		• 2	Contact		1455	1079 9922 78	• 1	Label	
	1089 9415 83		1)3)		1460	1088 0031 08	• 1	Connector	6X9
	1089 9415 63		2)		1470	1089 9168 24	• 1	Fuse	
	1089 9415 76		4)		1480	1089 0612 01	• 1	Fuse holder	
	1089 9415 82		5)6)		1490		• 1	Watch relay	
1220		• 2	Contact block			1089 9461 03		1)3)4)	
1230		• 1	Contact			1089 9461 04		2)5)6)	
	1089 9415 62		1)		1500	1088 0031 02	• 1	Connector	1X13
	1089 9415 61		2)5)6)						
	1089 9415 63		3)4)		1)	GA200 440-460V/60Hz			
1235	1089 9415 91	• 1	Interlock		2)	GA200 575V/60Hz			
1240	1089 0362 51	• 1	Emergency stop button		3)	GA250 440-460V/60Hz			
1250	1089 0362 58	• 1	Contact block		4)	GA315 440-460V/60Hz			
1260		• 1	Transformer		5)	GA250 575V/60Hz			
	1089 9436 09		1)3)4)5)6)		6)	GA315 575V/60Hz			
	1089 9436 08		2)						

29

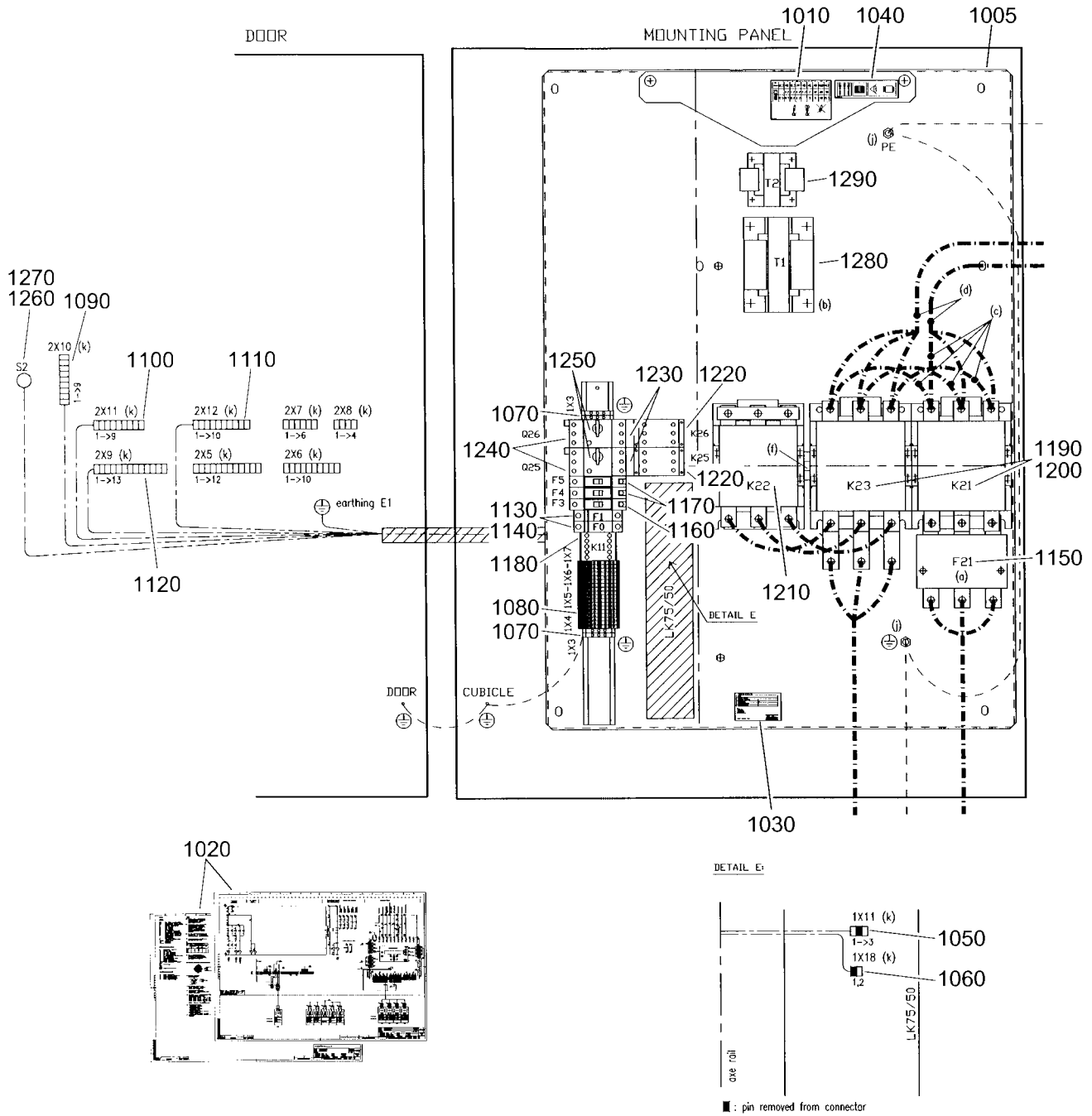


Start cubicle - star/delta - Control Voltage 230/24V - COM 1 option only 1)

29

Ref.	Part number	Qty	Name	Remarks	Ref.	Part number	Qty	Name	Remarks
		1	Control panel		1110	1089 0362 51	• 1	Emergency stop button	
	1900 3103 31		GA200 400V/50Hz		1115	1089 0362 50	• 1	Contact block	
	1900 3103 32		GA250 400V/50Hz		1120	1089 0362 58	• 1	Contact block	
	1900 3103 41		GA200 W 400V/50Hz		1125	1089 9082 24	• 1	Key switch	
	1900 3103 42		GA250 W 400V/50Hz		1130		• 1	Transformer	
	1900 3104 31		GA200 440-460V/60Hz			1089 9136 98		1)2)3)4)	
	1900 3104 32		GA250 440-460V/60Hz			1089 9436 07		5)6)7)8)9)10)	
	1900 3104 33		GA315 440-460V/60Hz		1135	1089 9136 93	• 1	Transformer	
	1900 3104 41		GA200 W 440-460V/60Hz		1140	1614 9906 00	• 1	Mounting plate	
	1900 3104 42		GA250 W 440-460V/60Hz		1145		•	Contact	
	1900 3104 43		GA315 W 440-460V/60Hz			1089 9415 21	2	1)2)5)6)7)	
1010	1079 9906 09	• 1	Label			1089 9415 11	1	3)4)8)9)10)	
1015	9823 1821 02	• 1	Label		1150		•	Connection element	
1020	1613 6639 00	• 1	Data plate			1089 9416 91	2	1)2)5)6)7)	
1025	1079 9901 68	• 1	Label			1089 9416 06	1	3)4)8)9)10)	
1030	1089 0506 27	• 4	Terminal		1155		•	Circuit breaker	
1035	1089 9398 11	• 19	Terminal			1089 9416 70	2	1)2)5)6)7)	
1045	1088 0024 04	• 1	Connector			1089 9416 21	1	3)4)8)9)10)	
1050	1088 0024 10	• 1	Connector		1160		•	Contact block	
1055	1088 0024 18	• 1	Connector			1089 9416 07	2	1)2)5)6)7)	
1060	1088 0000 06	• 1	Connector			1089 9416 07	1	3)4)8)9)10)	
1065	1088 0024 02	• 1	Connector		1165	1088 0024 02	1	Connector	
1070	1089 9399 03	• 1	Overload relay						
1075	1089 9203 11	• 1	Circuit breaker		1)	GA200 400V/50Hz			
1080	1089 9203 11	• 2	Circuit breaker		2)	GA250 400V/50Hz			
1085	1089 9388 01	• 1	Interface relay		3)	GA200 W 400V/50Hz			
1090	1089 9221 95	• 1	Contact block		4)	GA250 W 400V/50Hz			
1095	1089 9221 96	• 2	Contact		5)	GA200 440-460V/60Hz			
1100		• 1	Contact		6)	GA250 440-460V/60Hz			
	1089 9421 11		1)3)5)8)		7)	GA315 440-460V/60Hz			
	1089 9221 30		2)4)		8)	GA200 W 440-460V/60Hz			
	1089 9421 12		6)7)9)10)		9)	GA250 W 440-460V/60Hz			
1105		• 1	Circuit breaker		10)	GA315 W 440-460V/60Hz			
	1089 9416 24		1)2)3)4)						
	1089 9416 23		5)6)7)8)9)10)						

30



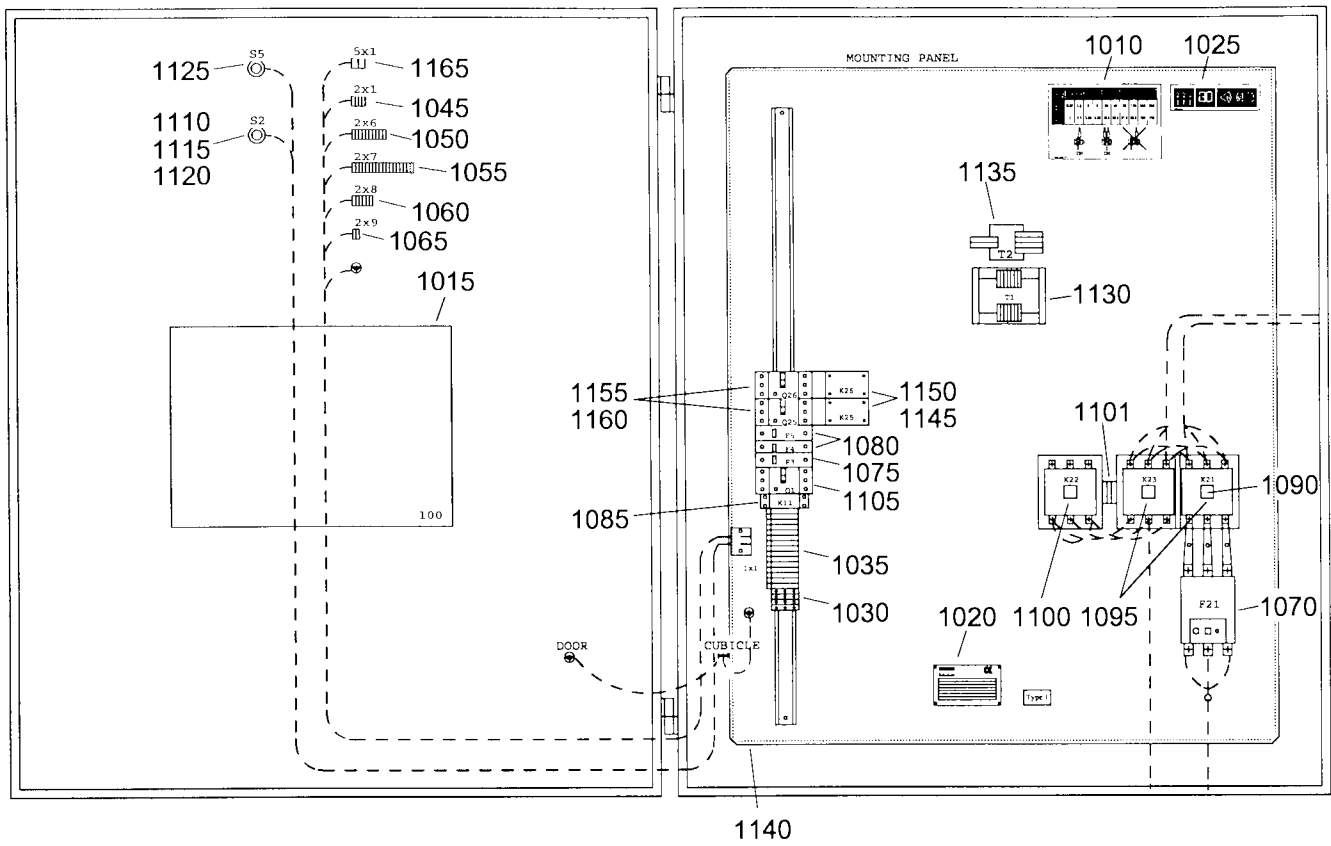
Start cubicle - star/delta - Control Voltage 230/24V - Basic parts 2)

Ref.	Part number	Qty	Name	Remarks	Ref.	Part number	Qty	Name	Remarks
		1	Control panel		1150		1	Overload relay	
	1900 3132 01		GA200 400V/50Hz			1089 9446 22		1)	
	1900 3132 02		GA250 400V/50Hz			1089 9446 23		2)	
1005	1614 9906 00	• 1	Mounting plate		1160	1089 9203 11	• 1	Circuit breaker	
1010	1079 9906 09	• 1	Label		1170	1089 9203 11	• 2	Circuit breaker	
1020	9823 1821 13	• 1	Service diagram		1180	1089 9415 17	• 1	Contact	
1030	1613 6639 00	• 1	Data plate		1190		• 2	Contact	
1040	1079 9901 68	• 1	Label			1089 9415 78		1)	
1050	1088 0031 03	• 1	Connector	1X11		1089 9415 80		2)	
1060	1088 0031 02	• 1	Connector	1X18	1200		• 1	Contact block	
1070	1089 0506 27	• 4	Terminal	1X3	1210	1089 9415 58	• 1	Contact	
1080	1089 9398 11	• 18	Terminal	1X4-1X5- 1X6-1X7	1220	1089 9415 21	• 2	Contact	
1090	1088 0031 49	• 1	Connector	2X10	1230	1089 9416 91	• 2	Connecting element	
1100	1088 0031 29	• 1	Connector	2X11	1240	1089 9416 70	• 2	Circuit breaker	
1110	1088 0031 30	• 1	Connector	2X12	1250	1089 9416 07	• 2	Contact block	
1120	1088 0031 13	• 1	Connector	2X9	1260	1089 0362 51	• 1	Emergency stop button	
1130	1089 0612 25	• 2	Fuse		1270	1089 0362 58	• 1	Contact block	
1140	1089 0612 01	• 2	Fuse holder		1280	1089 9436 07	• 1	Transformer	
					1290	1089 9136 93	• 1	Transformer	

1) GA200 400V/50Hz

2) GA250 400V/50Hz

31

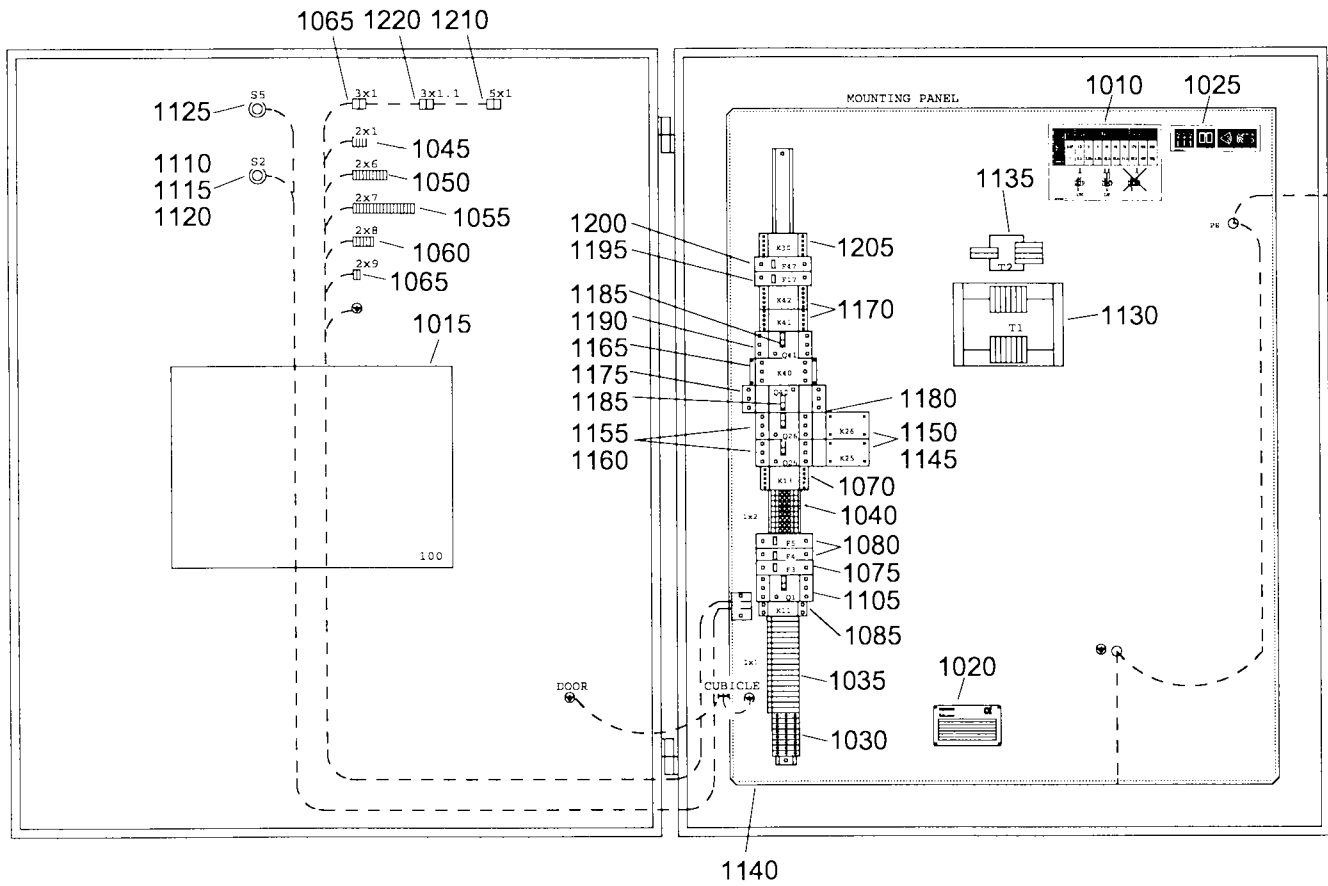


Start cubicle - star/delta - Control Voltage 115/24V - CSA/UL - COM 1 option only 1)

31

Ref.	Part number	Qty	Name	Remarks	Ref.	Part number	Qty	Name	Remarks
		1	Control panel C,U		1105	1089 9416 24	• 1	Circuit breaker	
	1900 3105 31		GA200 440-460V/60Hz		1110	1089 0362 51	• 1	Emergency stop button	
	1900 3105 32		GA250 440-460V/60Hz		1115	1089 0362 50	• 1	Contact block	
	1900 3105 33		GA315 440-460V/60Hz		1120	1089 0362 58	• 1	Contact block	
	1900 3105 41		GA200 W 440-460V/60Hz		1125	1089 9082 24	• 1	Key switch	
	1900 3105 42		GA250 W 440-460V/60Hz		1130	1089 9436 09	• 1	Transformer	
	1900 3105 43		GA315 W 440-460V/60Hz		1135	1089 9136 27	• 1	Transformer	
1010	1079 9906 09	• 1	Label		1140	1614 9906 00	• 1	Mounting plate	
1015	9823 1821 02	• 1	Label		1145		•	Contact	
1020	1613 3046 00	• 1	Data plate			1089 9415 24	2	1)2)3)	
1025	1079 9901 68	• 1	Label			1089 9415 14	1	4)5)6)	
1030	1089 0506 27	• 4	Terminal		1150		•	Connection element	
1035	1089 9398 11	• 19	Terminal			1089 9416 91	2	1)2)3)	
1045	1088 0024 04	• 1	Connector			1089 9416 06	1	4)5)6)	
1050	1088 0024 10	• 1	Connector		1155		•	Circuit breaker	
1055	1088 0024 18	• 1	Connector			1089 9416 70	2	1)2)3)	
1060	1088 0000 06	• 1	Connector			1089 9416 21	1	4)5)6)	
1065	1088 0024 02	• 1	Connector		1160		•	Contact block	
1070	1089 9399 12	• 1	Overload relay			1089 9416 07	2	1)2)3)	
1075	1089 9203 38	• 1	Circuit breaker			1089 9416 07	1	4)5)6)	
1080	1089 9203 35	• 2	Circuit breaker		1165	1088 0024 02	1	Connector	
1085	1089 9388 01	• 1	Interface relay						
1090	1089 9221 95	• 1	Contact block						
1095		• 2	Contact						
	1089 9221 50		1)4)						
	1089 9221 94		2)3)5)6)						
1100		• 1	Contact						
	1089 9221 43		1)3)4)6)						
	1089 9221 49		2)5)						
1101	1089 9216 03	• 1	Interlock						

32

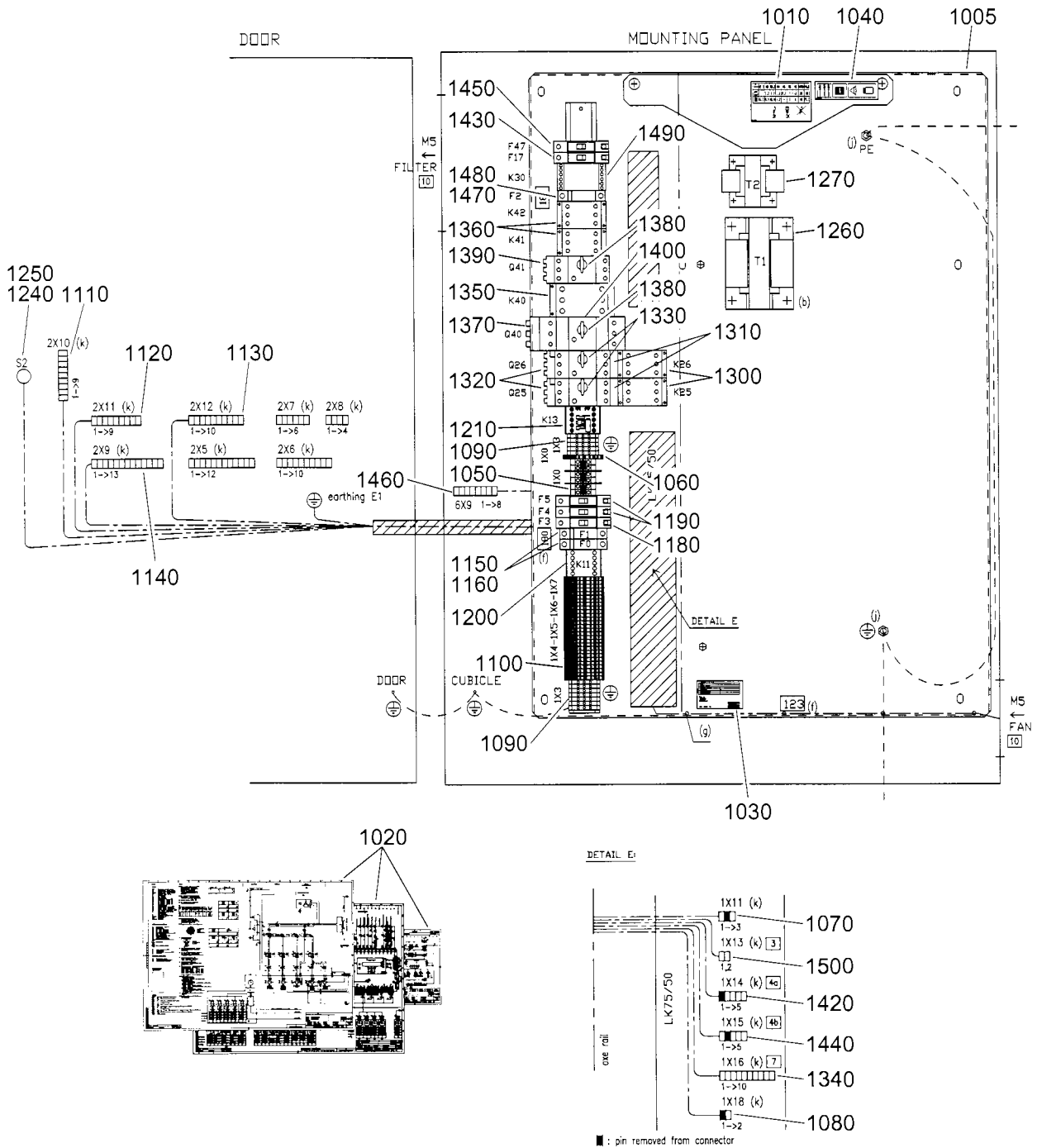


Start cubicle, without starter - Control Voltage 230/24V - Full options 1)

32

Ref.	Part number	Qty	Name	Remarks	Ref.	Part number	Qty	Name	Remarks
	1900 3103 01	1	Control panel		1160			Contact block	
	1900 3104 01		GA200-315 50Hz		1089 9416 07	2	1)2)3)4)8)9)10)	Aircooled	
			GA200-315 60Hz		1089 9416 07	1		Watercooled	
1010	1079 9906 09	• 1	Label		1165		1	Contact	
1015	9823 1821 03	• 1	Label		1089 9415 31			1)2)	
1020	1613 6639 00	• 1	Data plate		1089 9415 23			3)4)	
1025	1079 9901 68	• 1	Label		1089 9415 32			5)6)7)8)9)10)	
1030	1089 0506 27	• 10	Terminal		1170		2	Contact	
1035	1089 9398 11	• 36	Terminal		1089 9415 11			1)2)3)4)	Aircooled
1040	1089 0506 06	• 6	Terminal		1089 9415 12			5)6)7)	Aircooled
1045	1088 0024 04	• 1	Connector		1175		1	Circuit breaker	
1050	1088 0024 10	• 1	Connector		1089 9416 84			1)2)	
1055	1088 0024 18	• 1	Connector		1089 9416 73			3)4)	
1060	1088 0000 06	• 1	Connector		1089 9416 81			5)6)7)8)9)10)	
1065	1088 0024 02	• 2	Connector		1180		1	Connection element	
1070	1089 9438 02	• 1	Relay		1089 9416 91			3)4)	
1075	1089 9203 11	• 1	Circuit breaker		1185			Contact block	
1080	1089 9203 04	• 2	Circuit breaker		1089 9416 07	2			Aircooled
1085	1089 9388 01	• 1	Interface relay		1089 9416 07	1			Watercooled
1105	1089 9416 24	• 1	Circuit breaker		1190		1	Circuit breaker	
1110	1089 0362 51	• 1	Emergency stop button		1089 9416 27			1)2)3)4)	Aircooled
1115	1089 0362 50	• 1	Contact block		1089 9416 29			5)6)7)8)9)10)	Aircooled
1120	1089 0362 58	• 1	Contact block		1195	1089 9203 23	1	Circuit breaker	
1125	1089 9082 24	• 1	Key switch		1200	1089 9203 23	1	Circuit breaker	
1130		• 1	Transformer		1205		1	Phase sequence relay	
	1089 9436 07		GA200-315 50Hz		1089 9461 01			1)2)5)6)7)	
	1089 9436 08		GA200-315 60Hz		1089 9461 03			3)4)8)9)10)	
1135	1089 9436 11	• 1	Transformer		1210	1088 0024 02	1	Connector	
1140	1614 9906 00	• 1	Mounting plate		1220	1088 0024 02	1	Connector	
1145			Contact						
	1089 9415 21	2	1)2)3)4)	Aircooled	1)	GA200 400V/50Hz			
	1089 9415 23	2	8)9)10)	Aircooled	2)	GA250 400V/50Hz			
	1089 9415 11	1		Watercooled	3)	GA200 500V/50Hz			
1150			Connection element		4)	GA250 500V/50Hz			
	1089 9416 91	2	1)2)3)4)8)9)10)	Aircooled	5)	GA200 380V/60Hz			
	1089 9416 06	1		Watercooled	6)	GA250 380V/60Hz			
1155			Circuit breaker		7)	GA315 380V/60Hz			
	1089 9416 70	2	1)2)8)9)10)	Aircooled	8)	GA200 440-460V/60Hz			
	1089 9416 69	2	3)4)	Aircooled	9)	GA250 440-460V/60Hz			
	1089 9416 21	1	1)2)5)6)7)	Watercooled	10)	GA315 440-460V/60Hz			
	1089 9416 20	1	3)4)8)9)10)	Watercooled					

33

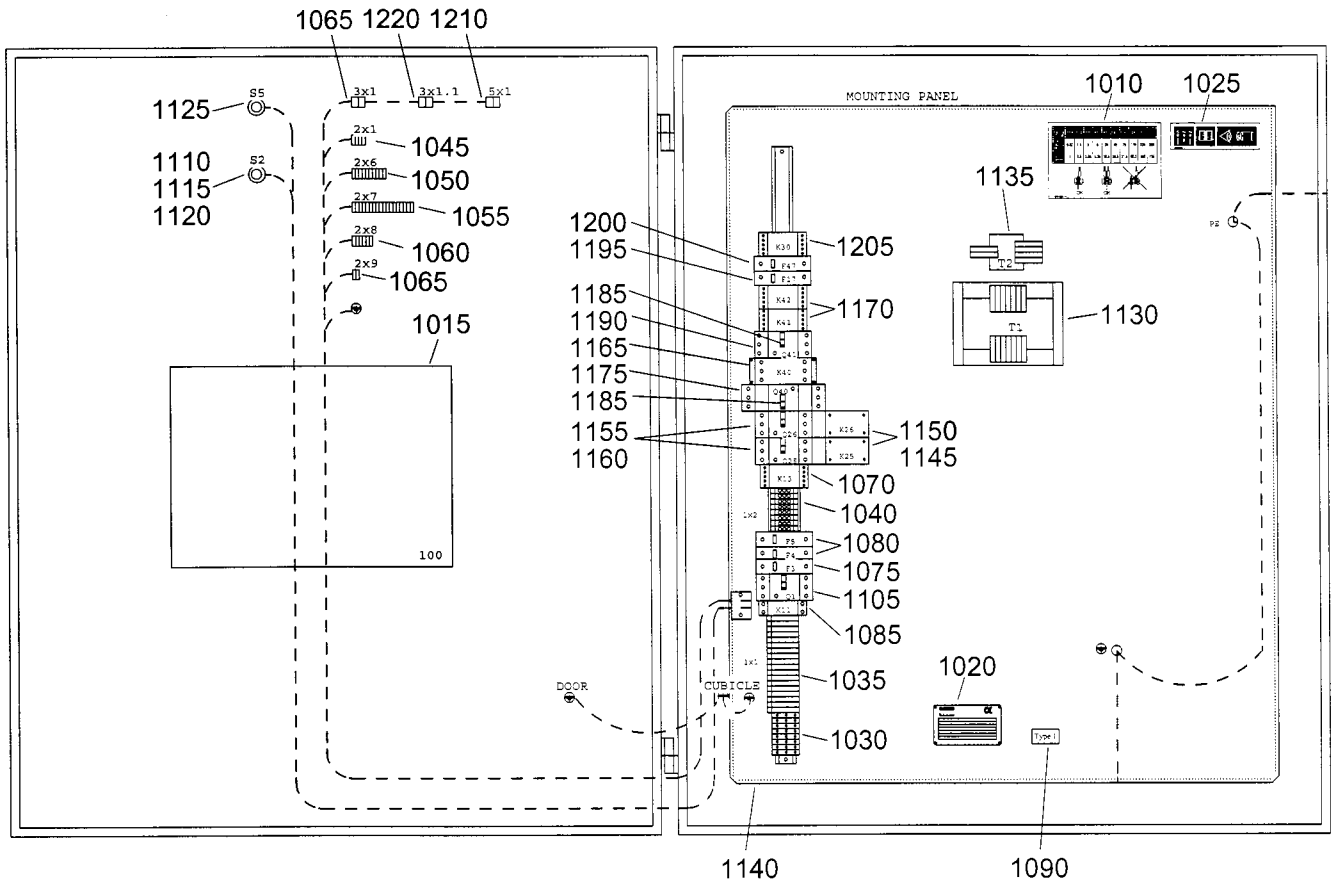


Start cubicle, without starter - Control Voltage 230/24V - Full options 2)

33

Ref.	Part number	Qty	Name	Remarks	Ref.	Part number	Qty	Name	Remarks
	1900 3130 01	1	Control panel		1330	•		Contact block	
			GA200-315 50/60Hz			1089 9416 07	2		Aircooled
1005	1614 9906 00	• 1	Mounting plate			1089 9416 07	1		Watercooled
1010	1079 9906 09	• 1	Label		1340	1088 0031 10	• 1	Connector	1X16
1020	9823 1821 12	• 1	Service diagram		1350	•	1	Contact	
1030	1613 6639 00	• 1	Data plate			1089 9415 31		1)4)	
1040	1079 9901 68	• 1	Label			1089 9415 23		2)9)	
1050	1089 0506 06	• 6	Terminal 16-1P			1089 9415 32		3)5)6)7)8)10)	
1060	•	• 1	Terminal 4mm ²		1360	•	2	Contact	Aircooled
1070	1088 0031 03	• 1	Connector	1X11		1089 9415 11		1)2)4)9)	
1080	1088 0031 02	• 1	Connector	1X18		1089 9415 13		3)5)6)7)8)10)	
1090	1089 0506 27	• 13	Terminal	1X3	1370	•	1	Circuit breaker	
1100	1089 9398 11	• 29	Terminal	1X4-1X5- 1X6-1X7		1089 9416 84		1)4)	
						1089 9416 73		2)9)	
1110	1088 0031 49	• 1	Connector	2X10		1089 9416 81		3)5)6)7)8)10)	
1120	1088 0031 29	• 1	Connector	2X11	1380	•		Contact block	
1130	1088 0031 30	• 1	Connector	2X12		1089 9416 07	2		Aircooled
1140	1088 0031 13	• 1	Connector	2X9		1089 9416 07	1		Watercooled
1150	1089 0612 25	• 2	Fuse		1390	•	1	Circuit breaker	Aircooled
1160	1089 0612 01	• 2	Fuse holder			1089 9416 27		1)2)4)9)	
1180	1089 9203 11	• 1	Circuit breaker			1089 9416 29		3)5)6)7)8)10)	
1190	1089 9203 11	• 2	Circuit breaker		1400	•	1	Connecting element	
1200	1089 9415 17	• 1	Contact			1089 9416 91		2)9)	
1210	1089 9438 02	• 1	Relay		1420	1088 0031 05	• 1	Connector	1X14
1240	1089 0362 51	• 1	Emergency stop button		1430	1089 9203 31	• 1	Circuit breaker	
1250	1089 0362 58	• 1	Contact block		1440	1088 0031 05	• 1	Connector	1X15
1260	1089 9436 07	• 1	Transformer		1450	1089 9203 31	• 1	Circuit breaker	
1270	1089 9136 93	• 1	Transformer		1460	1088 0031 08	• 1	Connector	6X9
1300	•	•	Contact		1470	1089 0612 24	• 1	Fuse	
	1089 9415 21	2	1)3)4)5)6)7)8)10)	Aircooled	1480	1089 0612 01	• 1	Fuse holder	
				Aircooled	1490	•	1	Phase sequence relay	
	1089 9415 13	2	2)9)	Aircooled		1089 9461 01		1)4)5)6)10)	
	1089 9415 11	1		Watercooled		1089 9461 03		2)3)7)8)9)	
1310	•	•	Connection element		1500	1088 0031 02	• 1	Connector	1X13
	1089 9416 91	2	1)3)4)5)6)7)8)10)	Aircooled					
				Aircooled		1)		GA200 400V/50Hz	
	1089 9416 06	2	2)9)	Aircooled		2)		GA200 500V/50Hz	
	1089 9416 06	1		Watercooled		3)		GA200 440-460V/60Hz	
1320	•	•	Circuit breaker			4)		GA250 400V/50Hz	
	1089 9416 70	2	1)3)4)5)6)7)8)10)	Aircooled		5)		GA200 380V/60Hz	
				Aircooled		6)		GA250 380V/60Hz	
	1089 9416 29	2	2)9)	Aircooled		7)		GA250 440-460V/60Hz	
	1089 9416 21	1	1)4)5)6)10)	Watercooled		8)		GA315 440-460V/60Hz	
	1089 9416 20	1	2)3)7)8)9)	Watercooled		9)		GA250 500V/50Hz	
						10)		GA315 380V/60Hz	

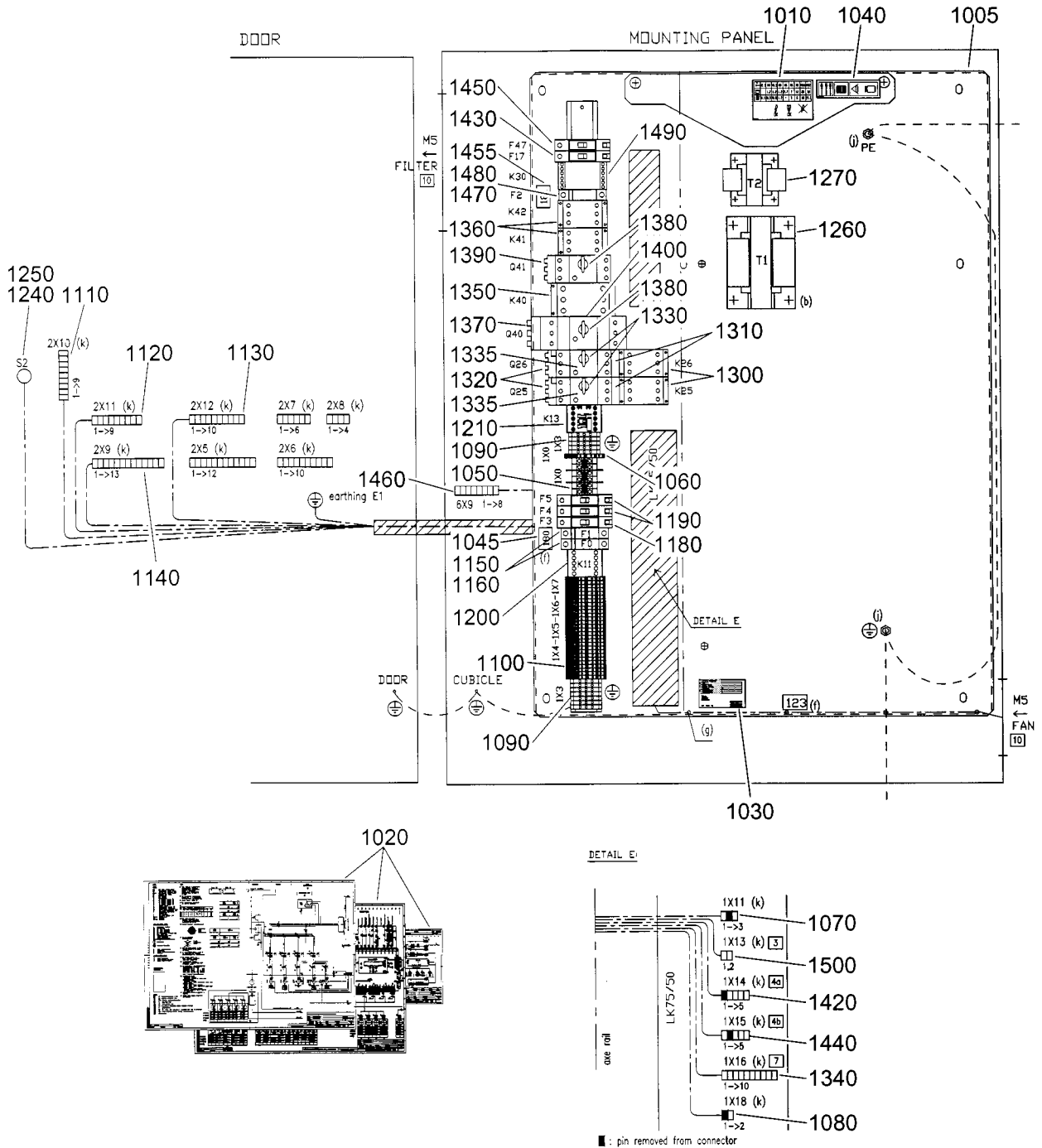
34



Start cubicle, without starter - Control Voltage 115/24V - CSA/UL - Full options 1)

Ref.	Part number	Qty	Name	Remarks	Ref.	Part number	Qty	Name	Remarks
	1900 3105 01	1	Control panel C,U						
			GA200-315 60Hz						
1010	1079 9906 09	• 1	Label		1160	1089 9416 21	1	1)2)3)	Watercooled
1015	9823 1821 03	• 1	Label			1089 9416 20	1	4)5)6)	Watercooled
1020	1613 3046 00	• 1	Data plate					Contact block	
1025	1079 9901 68	• 1	Label			1089 9416 07	2		Aircooled
1030	1089 0506 27	• 10	Terminal			1089 9416 07	1		Watercooled
1035	1089 9398 11	• 36	Terminal		1165		1	Contactor	
1040	1089 0506 06	• 6	Terminal			1089 9415 35		1)2)3)	
1045	1088 0024 04	• 1	Connector			1089 9415 34		4)5)6)	
1050	1088 0024 10	• 1	Connector		1170	1089 9415 14	2	Contactor	Aircooled
1055	1088 0024 18	• 1	Connector		1175		1	Circuit breaker	
1060	1088 0000 06	• 1	Connector			1089 9416 81		1)2)3)	
1065	1088 0024 02	• 2	Connector			1089 9416 84		4)5)6)	
1070	1089 9438 03	• 1	Relay		1185			Contact block	
1075	1089 9203 38	• 1	Circuit breaker			1089 9416 07	2		Aircooled
1080	1089 9203 36	• 2	Circuit breaker			1089 9416 07	1		Watercooled
1085	1089 9388 01	• 1	Interface relay		1190		1	Circuit breaker	
1090	1079 9911 01	• 1	Label			1089 9416 69		1)2)3)	Aircooled
1105	1089 9416 24	• 1	Circuit breaker			1089 9416 68		4)5)6)	Aircooled
1110	1089 0362 51	• 1	Emergency stop button		1195	1089 9203 31	1	Circuit breaker	
1115	1089 0362 50	• 1	Contact block		1200	1089 9203 31	1	Circuit breaker	
1120	1089 0362 58	• 1	Contact block		1205		1	Phase sequence relay	
1125	1089 9082 24	• 1	Key switch			1089 9461 03		1)2)3)	
1130	1089 9436 09	• 1	Transformer			1089 9461 04		4)5)6)	
1135	1089 9436 11	• 1	Transformer		1210	1088 0024 02	1	Connector	
1140	1614 9906 00	• 1	Mounting plate		1220	1088 0024 02	1	Connector	
1145			Contactor						
	1089 9415 24	2		Aircooled					
	1089 9415 14	1		Watercooled					
1150			Connection element						
	1089 9416 91	2		Aircooled					
	1089 9416 06	1		Watercooled					
1155			Circuit breaker						
	1089 9416 70	2	1)2)3)	Aircooled					
	1089 9416 69	2	4)5)6)	Aircooled					

35



Start cubicle, without starter - Control Voltage 115/24V - CSA/UL - Full options 2)

Ref.	Part number	Qty	Name	Remarks	Ref.	Part number	Qty	Name	Remarks
		1	Control panel C,U		1330			Contact block	
	1900 3131 01		GA200-315 60Hz			1089 9416 07	2		Aircooled
1005	1614 9906 00	• 1	Mounting plate			1089 9416 07	1		Watercooled
1010	1079 9906 09	• 1	Label		1335			Terminal block	
1020	9823 1821 12	• 1	Service diagram			1089 9416 75	2		Aircooled
1030	1614 8949 00	• 1	Data plate			1089 9416 75	1		Watercooled
1040	1079 9901 68	• 1	Label		1340	1088 0031 10	• 1	Connector	1X16
1045	1079 9922 74	• 1	Label		1350			Connector	
1050	1089 0506 06	• 6	Terminal 16-1P			1089 9415 35		1)3)4)	
1060		• 1	Terminal 4mm ²			1089 9415 34		2)5)6)	
1070	1088 0031 03	• 1	Connector	1X11	1360	1089 9415 24	• 2	Connector	Aircooled
1080	1088 0031 02	• 1	Connector	1X18	1370		• 1	Circuit breaker	
1090	1089 0506 27	• 13	Terminal	1X3		1089 9416 81		1)3)4)	
1100	1089 9398 11	• 29	Terminal	1X4-1X5- 1X6-1X7		1089 9416 84		2)5)6)	
1110	1088 0031 49	• 1	Connector	2X10	1380			Contact block	
1120	1088 0031 29	• 1	Connector	2X11		1089 9416 07	2		Aircooled
1130	1088 0031 30	• 1	Connector	2X12		1089 9416 07	1		Watercooled
1140	1088 0031 13	• 1	Connector	2X9	1390			Circuit breaker	Aircooled
1150	1089 9168 27	• 2	Fuse			1089 9416 69		1)3)4)	
1160	1089 0612 01	• 2	Fuse holder			1089 9416 68		2)5)6)	
1180	1089 9203 38	• 1	Circuit breaker		1400	1089 9416 75	• 1	Terminal block	Aircooled
1190	1089 9203 36	• 2	Circuit breaker		1420	1088 0031 05	• 1	Connector	1X14
1200	1089 9415 17	• 1	Contactactor		1430	1089 9203 31	• 1	Circuit breaker	
1210	1089 9438 03	• 1	Relay		1440	1088 0031 05	• 1	Connector	1X15
1240	1089 0362 51	• 1	Emergency stop button		1450	1089 9203 31	• 1	Circuit breaker	
1250	1089 0362 58	• 1	Contact block		1455	1079 9922 78	• 1	Label	
1260	1089 9436 09	• 1	Transformer		1460	1088 0031 08	• 1	Connector	6X9
1270	1089 9436 11	• 1	Transformer		1470	1089 9168 24	• 1	Fuse	
1300		•	Contactactor		1480	1089 0612 01	• 1	Fuse holder	
	1089 9415 24	2		Aircooled	1490		• 1	Watch relay	
	1089 9415 24	1		Watercooled		1089 9461 03		1)3)4)	
1310		•	Connecting element			1089 9461 04		2)5)6)	
	1089 9416 91	2		Aircooled	1500	1088 0031 02	• 1	Connector	1X13
	1089 9416 91	1		Watercooled					
1320		•	Circuit breaker		1)	GA200 440-460V/60Hz			
	1089 9416 70	2	1)3)4)	Aircooled	2)	GA200 575V/60Hz			
	1089 9416 69	2	2)5)6)	Aircooled	3)	GA250 440-460V/60Hz			
	1089 9416 61	1	1)3)4)	Watercooled	4)	GA315 440-460V/60Hz			
	1089 9416 60	1	2)5)6)	Watercooled	5)	GA250 575V/60Hz			
					6)	GA315 575V/60Hz			

36

Service kits

Ref.	Part number	Qty	Name	Remarks	Ref.	Part number	Qty	Name	Remarks
	2906 0093 00	1	Check valve kit			2906 0566 00	1	Cooler kit	
	0663 2106 18 •	1	O-ring					GA200, GA250, GA315	
	0663 2106 20 •	1	O-ring			0663 2106 19 •	1	O-ring	
	2254 5324 00 •	1	Check valve			0663 2106 15 •	1	O-ring	
	2254 8075 00 •	1	Spring			0663 2109 68 •	4	O-ring	
	0661 1000 25 •	1	Scal washer			0663 2106 17 •	1	O-ring	
	2906 0094 00	1	Oil stop valve kit			2906 0567 00	1	Cooler kit	
	0663 2108 12 •	1	O-ring					GA200 W, GA250 W,	
	0663 2106 15 •	1	O-ring					GA315 W	
	0663 2106 12 •	1	O-ring			0663 2106 17 •	2	O-ring	
	0661 1000 25 •	1	Scal washer			0663 2109 68 •	2	O-ring	
	2254 9868 00 •	1	Spring			0634 1000 49 •	2	Pipe coupling element	
	0663 2106 11 •	2	O-ring						
	0663 2109 68 •	1	O-ring						
	2906 0186 00	1	Compressor element overhaul kit			2906 0572 00	1	Flexmaster joint on water separator	
	0211 1407 00 •	6	Cap screw			0291 1114 00 •	2	Locknut	
	0508 2115 01 •	2	Roller bearing			0300 0276 03 •	4	Washer	
	0653 1124 00 •	2	Flat gasket			1614 9064 00 •	2	Rubber joint	
	0663 7154 00 •	2	O-ring			1614 9490 00 •	4	Absorber	
	1079 5081 05 •	2	Bearing						
	1616 5380 00 •	2	Wave spring			2906 0578 00	1	Seal washer kit	
	1616 5603 70 •	2	Spacer			0653 0500 08 •	3	Flat Cu gasket	
	1616 6446 00 •	1	Gasket			0653 1046 00 •	3	Flat Cu gasket	
	0663 7131 00 •	1	O-ring			0653 1062 00 •	12	Flat Cu gasket	
	2906 0199 00	1	Oil filter kit			0653 1100 00 •	3	Flat Cu gasket	
			For maximum 10bar,			0653 1124 00 •	3	Flat Cu gasket	
			150psi			0653 1165 00 •	3	Flat Cu gasket	
	0661 1000 29 •	1	Scal washer			0653 1189 00 •	3	Flat Cu gasket	
	0661 1000 25 •	6	Scal washer			0653 1227 00 •	3	Flat Cu gasket	
	1614 7273 99 •	3	Oil filter element			0653 9078 00 •	3	Flat Cu gasket	
	0661 1000 27 •	3	Scal washer			0661 1000 25 •	9	Scal ring	
	0661 1000 31 •	1	Scal washer			0661 1000 27 •	12	Scal ring	
	0653 1046 00 •	1	Gasket			0661 1000 29 •	6	Scal ring	
	0653 1100 00 •	1	Gasket			0661 1000 31 •	3	Scal ring	
	2906 0200 00	1	Air/Oil filter kit			0661 1000 36 •	3	Scal ring	
			For maximum 10bar,			0661 1000 30 •	3	Scal ring	
			150psi			0661 1000 32 •	3	Scal ring	
	1030 0979 99 •	2	Air filter element						
	0661 1000 29 •	1	Scal washer			2906 0586 00	1	Oil filter kit	
	0661 1000 25 •	6	Scal washer					For 13bar, 200psi	
	1614 7273 99 •	3	Oil filter element			0661 1000 29 •	1	Scal washer	
	0661 1000 27 •	3	Scal washer			0661 1000 25 •	6	Scal washer	
	0661 1000 31 •	1	Scal washer			1614 8065 00 •	3	Oil filter element	
	0653 1046 00 •	1	Gasket			0661 1000 27 •	1	Scal washer	
	0653 1100 00 •	1	Gasket						
	2906 0201 00	1	Min. Pressure valve kit			2906 0587 00	1	Air/oil filter kit	
	0663 2106 58 •	1	O-ring					For 13bar, 200psi	
	1619 6199 00 •	1	Scalring			1030 0979 99 •	2	Air filter element	
	2254 9215 00 •	1	Lockplate			0661 1000 29 •	1	Scal washer	
	1614 7279 00 •	1	Washer			0661 1000 25 •	6	Scal washer	
	2906 0563 00	1	Unloading valve kit			1614 8065 00 •	3	Oil filter element	
	0663 2109 71 •	2	O-ring			0661 1000 27 •	1	Scal washer	
	0663 2109 73 •	2	O-ring						
	0663 9868 00 •	1	O-ring			2906 0588 00	1	Oil separator kit	
	2906 6021 00 •	1	Piston assy			0663 2109 45 •	2	O-ring	
	1614 9156 00 •	1	Spring			1614 9521 00 •	1	Oil separator element	
	1619 6142 00 •	1	Scalring			0663 2106 20 •	1	O-ring	
	1619 6143 00 •	1	Scalring			2906 0591 00 •	1	Flexmaster joint kit	

Service kits

Ref.	Part number	Qty	Name	Remarks
	2906 0589 00	1	Exchange element installation kit	
	0211 1409 00 •	3	Cap screw driven gear	
	0337 6074 00 •	1	Key driven gear	
	0663 2109 73 •	3	O-ring nozzle	
	0663 2106 15 •	1	O-ring oil stop valve	
	0663 2106 20 •	1	O-ring check valve	
	0663 2108 12 •	1	O-ring oil stop valve	
	0663 2109 71 •	2	O-ring inlet valve	
	1616 5551 00 •	1	Gasket bearing housing	
	2906 0590 00	1	Gearbox overhaul kit	
	0211 1407 00 •	10	Cap screw	
	0506 0100 08 •	1	Bearing	
	0506 2109 00 •	1	Bearing	
	0663 2108 28 •	1	O-ring	
	0663 2107 76 •	1	O-ring	
	1614 9506 00 •	1	Scalring	
	1616 5519 00 •	1	Bushing	
	2906 0591 00	1	Flexmaster joint on oil separator, outlet pipe	
	0291 1114 00 •	2	Locknut	
	0306 2000 10 •	4	Washer	
	1614 9490 00 •	4	Absorber	
	1614 9513 00 •	2	Rubber joint	
	2906 0592 00	1	Maintenance kit - 4000h or yearly	
	2906 0200 00 •	1	Air/oil filter kit	
	2906 0094 00 •	2	Oil stop valve kit	
	2906 0201 00 •	1	Min. Pressure valve kit	
	0663 2106 18 •	2	O-ring check valve	
	0663 2106 20 •	2	O-ring check valve	
	2254 8075 00 •	2	Spring check valve	
	0661 1000 25 •	2	Seal washer check valve	
	2901 0301 00 •	1	Drain valve kit	
	2906 0593 00	1	Maintenance kit - 8000h or every 2 years	
	2906 0200 00 •	1	Air/oil filter kit	
	2906 0093 00 •	2	Check valve kit	
	2906 0094 00 •	2	Oil stop valve kit	
	2906 0201 00 •	1	Min. Press valve kit	
	2906 0563 00 •	2	Unloading valve kit	
	2906 0588 00 •	1	Oil separator kit	
	2906 0591 00 •	1	Flexmaster joint kit	
	2901 0301 00 •	1	Drain valve kit	
	1619 7560 00 •	1	Thermostatic valve	
	0663 2107 77 •	1	O-ring	