

# Atlas Copco Stationary Air Compressors

GX5 - GX7 - GX11

## Parts list

From following serial No. onwards :

AII - 620 000

- Copyright 2001, Atlas Copco Airpower n.v., Antwerp, Belgium.  
Any unauthorized use or copying of the contents or any part thereof is prohibited.  
This applies in particular to trademarks, model denominations, part numbers and drawings.
- **Use only authorized parts.** Any damage or malfunction caused by the use of unauthorized parts is not covered by Warranty or Product Liability.

No. 2930 1319 00

Registration code : APC GX 2001 / 39 / 999

2001-03

[www.atlascopco.com](http://www.atlascopco.com)



\* 2 9 3 0 1 3 1 9 0 0 \*

**Atlas Copco**

Contents  
Inhoud  
Innehåll  
Inhaltsverzeichnis  
Table des matières  
Indice

Indice  
Innholdsfortegnelse  
Indice  
Indholdsfortegnelse  
Sisällysluettelo

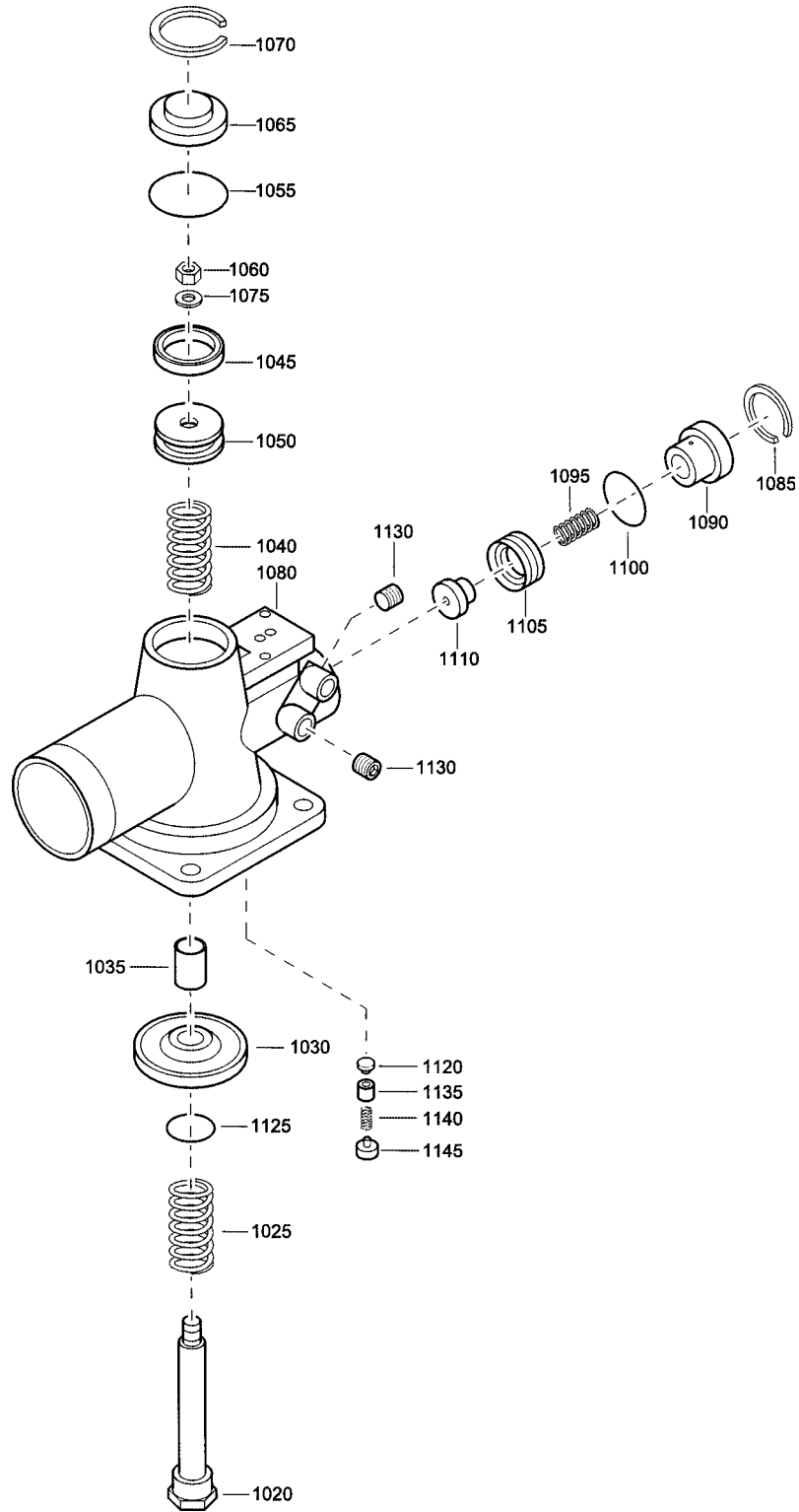
Unloading valve Ontlastventiel Avlastningsventil Entlastungsventil Soupape de décharge Válvula de descarga Valvola di messa a vuoto Aflastningsventil Válvula de descarga Avlastningsventil Kevennysventiili .....	1	Air dryer Luchtdroger Lufttork Lufttrockner Sécheur d'air Secador de aire Essiccatore d'aria Lufttørrer Secador de ar Lufttørker Kuivain .....	5
Drive arrangement Aandrijfuitvoering Drivarrangemang Antriebsanordnung Dispositif d'entraînement Disposición de accionamiento Disposizione di azionamento Arrangement Disposição de accionamento Drivarrangement Rakene .....	2	Air dryer connections Aansluitingen van de luchtdroger Lufttorkanslutningar Anschlüsse des Lufttrockners Connexions du sécheur d'air Conexiones del secador de aire Conessioni del essiccatore d'aria Tilslutninger, køletørrer Ligações do secador de ar Lufttørkertilkoplinger Kuivaimen liitännät - Full-feature .....	6
Air flow Luchtstroming Luftflöde Luftstrom Flux d'air Flujo de aire Flusso d'aria Luftflow Fluxo de ar Luftstrøm Ilman virtaus .....	3	Bodywork Carrosserie Karosseri Karosserie Capotage Carrocería Cappottatura Karosseri Carroceria Kabinett Kotelo .....	7
Oil system Oliesysteem Oljesystem Ölsystem Système d'huile Sistema de aceite Sistema dell'olio Oliesystem Sistema de óleo Oljesystem Voitelujärjestelmä .....	4	Start cubicle - star/delta Startkast - ster/driehoek Startskåp - stjärn/triangel Anlaßschrank - Stern/Dreieck Armoire de démarrage - étoile/triangle Cubículo de arranque - estrella/triángulo Armadio apparecch. di avviamento - stella/triangolo Starterskab - stjerne/trekant Cubículo-arranque estrela/triângulo Startskap - stjerne-trekant Käynnistinkotelo - Y/D .....	8

Start cubicle - DOL - CSA/UL	
Startkast - direkte starter	
Startskåp - direkt startutrustning	
Anlaßschrank - Direktschaltung	
Armoire de démarrage - démarreur direct	
Cubículo de arranque - arrancador directo	
Armadio apparecch. di avviamento - DOL (= diretto in linea)	
Starterskab-DOL (direkte start)	
Cubículo-Arranque directo	
Startskap - direkte start	
Käynnistinkotelo - suora käynnistys .....	9

Water separator connections	Optional
Aansluitingen van de waterafscheider	
Vattenavskiljarens anslutningar	
Anschlüsse des Wasserabscheiders	
Connexions du séparateur d'eau	
Conexiones del separador de agua	
Conessioni del separatore di condensa	
Tilslutninger, vandseparator	
Ligações ao dreno de condensados	
Vannutskillertilkoplinger	
Vedenerottimen liitännät	
- Pack .....	10

Service kits	
Service kits	
Service kits	
Service Kits	
Service kits	
Service kits	
Kit per la manutenzione	
Service kits	
Conjuntos de reparação	
Servicesett	
Huoltotarvikesarjat .....	11

1

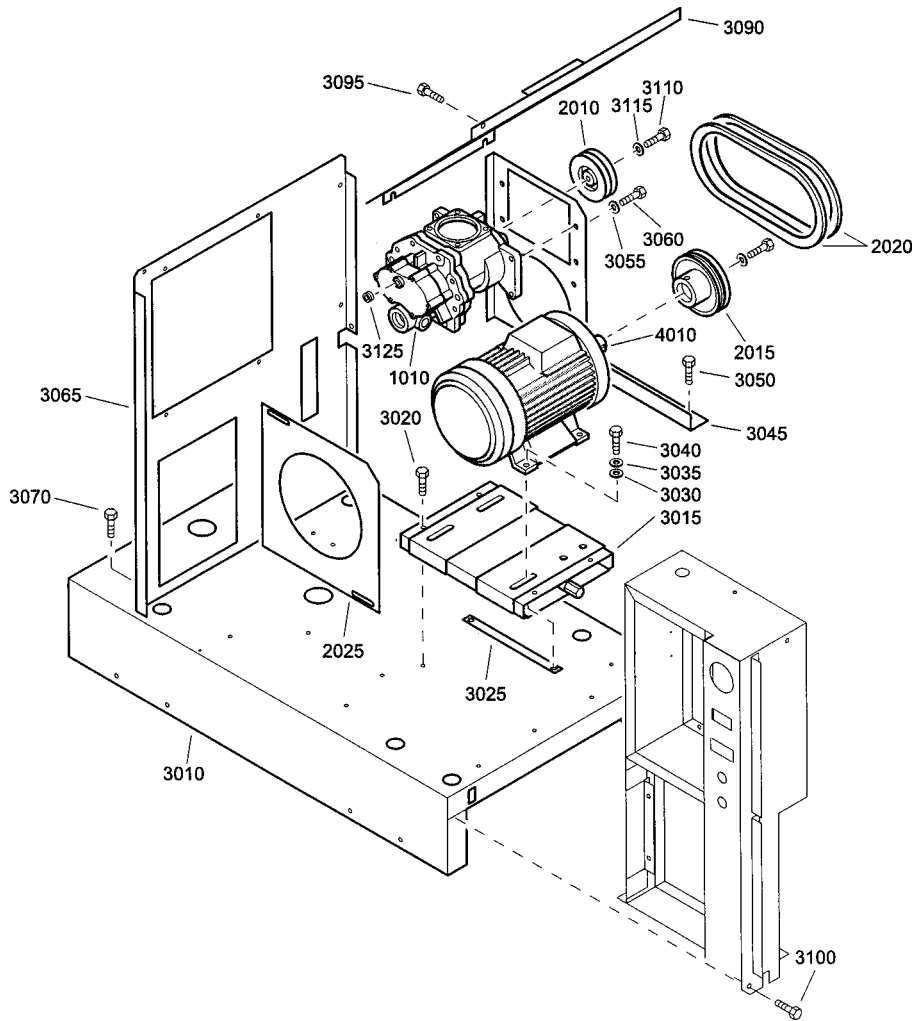


**Unloading valve**

1

Ref.	Part number	Qty	Name	Remarks	Ref.	Part number	Qty	Name	Remarks
	<b>1613 9008 84</b>	<b>1</b>	<b>Unloading valve</b>		1080	1613 9008 10	• 1	Valve housing	
1020	1613 9009 00	• 1	Piston rod		1085	0335 2130 00	• 1	Circlip	
1025	1513 0015 00	• 1	Spring		1090	1513 0533 00	• 1	Cover	
1030	1513 0398 00	• 1	Valve		1095	1513 0011 00	• 1	Spring	
1035	2235 3012 00	• 1	Bush		1100	0663 6129 00	• 1	O-ring	
1040	1513 0385 00	• 1	Spring		1105	1513 0532 00	• 1	Piston	
1045	1513 0019 00	• 1	Piston ring		1110	1513 0535 00	• 1	Valve seat	
1050	1513 0384 00	• 1	Piston		1120	2235 3039 00	• 1	Piston seat	
1055	0663 7132 00	• 1	O-ring		1125	0663 2105 13	• 1	O-ring	
1060	0266 1110 02	• 1	Nut		1130	0686 6126 00	• 2	Plug	
1065	1513 0382 00	• 1	Cover		1135	1513 0248 00	• 1	Piston	
1070	0335 2136 00	• 1	Circlip		1140	1513 0014 00	• 1	Spring	
1075	0301 2135 01	• 1	Washer		1145	1613 9662 00	• 1	Spring retainer	

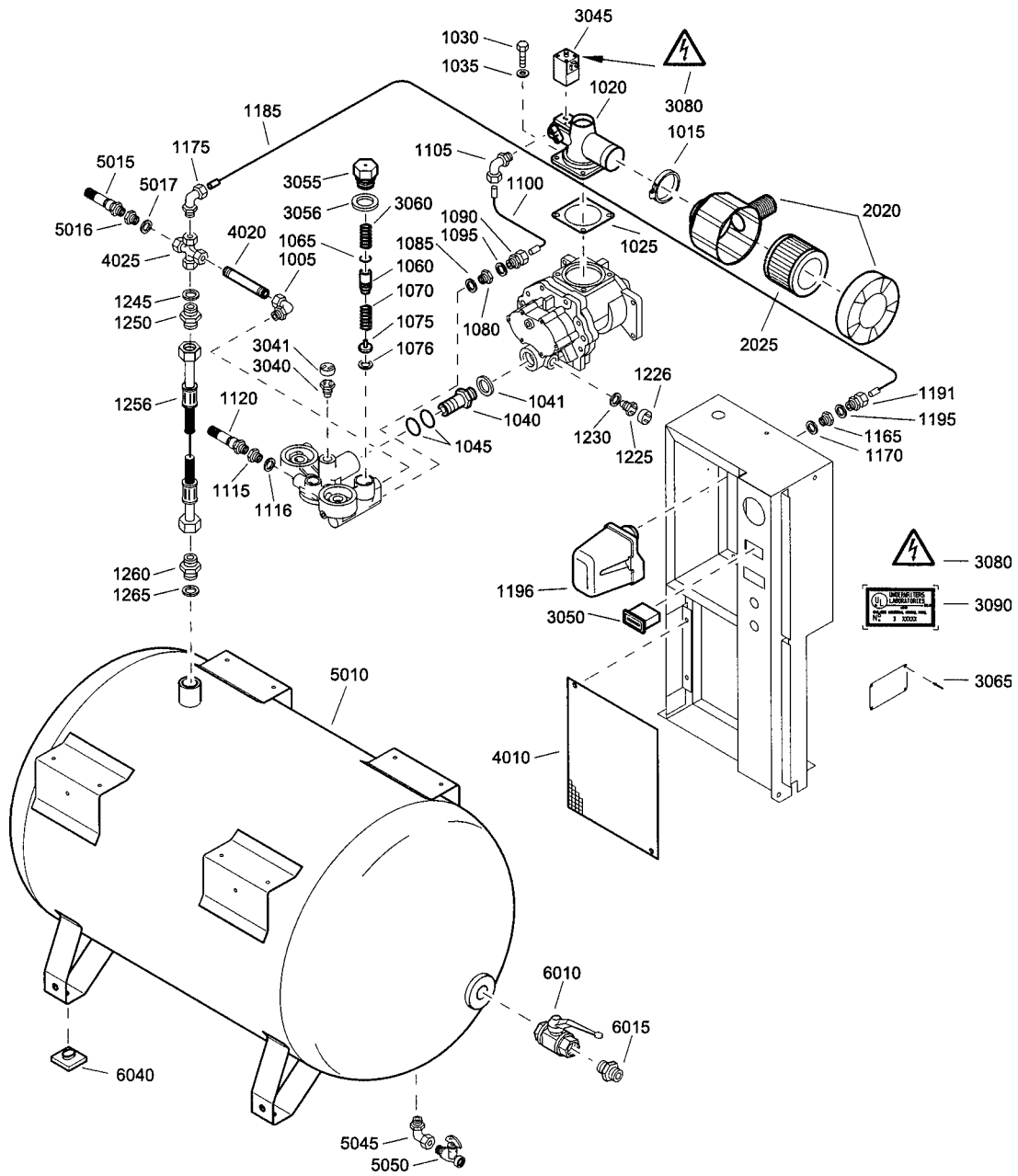
2



## Drive arrangement

Ref.	Part number	Qty	Name	Remarks	Ref.	Part number	Qty	Name	Remarks
1010	2989 0164 00	1	Service stage			1613 9032 06		GX11-10 bar, GX11-13 bar, GX11-7.5 bar	
2010	1622 0224 01	1	Pulley (element)				1	Plate (assy')	
	1622 0224 02		GX5-7.5 bar, GX7-7.5 bar GX7-10 bar, GX11-10 bar, GX11-125 psi, GX5-10 bar, GX5-125 psi, GX7-125 psi			1622 0230 80		GX11	1)
	1622 0224 03		GX11-13 bar, GX11-175 psi, GX5-13 bar, GX5-150 psi GX7-13 bar, GX7-175 psi		2025	1622 0230 00	• 1	Plate	
	1622 0224 04		GX11-150 psi, GX7-150 psi		3010	1622 0201 80	• 1	Frame ass'y	2)
2015	1622 0224 05	1	Pulley (motor)			1079 9920 83	• 1	Website label	
	1622 0225 01		GX5-13 bar			1622 0201 00	• 1	Frame	
	1622 0225 02		GX5-10 bar		3015	1622 0211 00	• 1	Support	
	1622 0225 03		GX5-7.5 bar		3020	1619 2766 00	• 4	Bolt	
	1622 0225 04		GX7-10 bar, GX7-13 bar, GX7-7.5 bar		3025	1622 0252 00	• 2	Support	
	1622 0225 05		GX11-10 bar, GX11-13 bar, GX11-7.5 bar		3030	0301 2344 00	• 4	Washer	
	1622 0225 06		GX5-125 psi, GX5-150 psi, GX5-175 psi		3035	0333 3232 00	• 4	Lock washer	
	1622 0225 07		GX7-125 psi, GX7-150 psi, GX7-175 psi		3040	0147 1363 03	• 4	Hexagon bolt	
	1622 0225 08		GX11-125 psi, GX11-150 psi, GX11-175 psi		3045	1622 0200 00	• 1	Support	
2020	1613 9032 02	1	V-belt (set 2x)		3050	1619 2766 00	• 4	Bolt	
	1613 9032 03		GX7-10 bar, GX7-13 bar		3055	0301 2335 00	• 4	Washer	
	1613 9032 04		GX5-10 bar, GX5-125 psi, GX5-13 bar, GX5-150 psi, GX5-175 psi, GX5-7.5 bar		3060	0147 1323 03	• 4	Hexagon bolt	
	1613 9032 05		GX7-125 psi, GX7-150 psi, GX7-175 psi		3065	1622 0219 00	• 1	Panel	
			GX11-125 psi, GX11-150 psi, GX11-175 psi		3070	1619 2766 00	• 2	Bolt	
					3090	1622 0220 00	• 1	Duct	
					3095	0147 1963 08	• 1	Hexagon bolt	
					3100	0147 1963 08	• 3	Hexagon bolt	
					3110	0301 2344 00	• 1	Washer	
					3115	0211 1964 06	• 1	Hex sock. screw	
					3125	0686 6126 00	• 1	Plug	
					4010		• 1	Motor	
						1080 4117 02		GX5 230V 50Hz	
						1080 4117 03		GX5 400V 50Hz	
						1080 4117 04		GX5P 500V 50Hz	
						1080 4117 12		GX5 230-460V 60Hz	
						1080 4117 14		GX5 575V 60Hz	
						1080 4117 22		GX7 230V 50Hz	
						1080 4117 23		GX7 400V 50Hz	
						1080 4117 24		GX7 500V 50Hz	
						1080 4117 32		GX7 230-460V 60Hz	
						1080 4117 34		GX7 575V 60Hz	
						1080 4117 42		GX11 230V 50Hz	
						1080 4117 43		GX11 400V 50Hz	
						1080 4117 44		GX11 500V 50Hz	
						1080 4117 52		GX11 230-460V 60Hz	
						1080 4117 53		GX11 380V 60Hz	
						1080 4117 54		GX11 575V 60Hz	
					1)-2)	Lined with / Bekleed met / Beklädd med / Ausgekleidet mit / Garni de / Revestido de / Allineato con / Foret med / Revestido com / Kledd med / Vuorattu			
					1)	Foam: 0395 1001 99 (AR) 10 x 2000 x 1500			
					2)	Foam: xxxx xxxx xx (AR) 85 x 2000 x 1500			

# 3

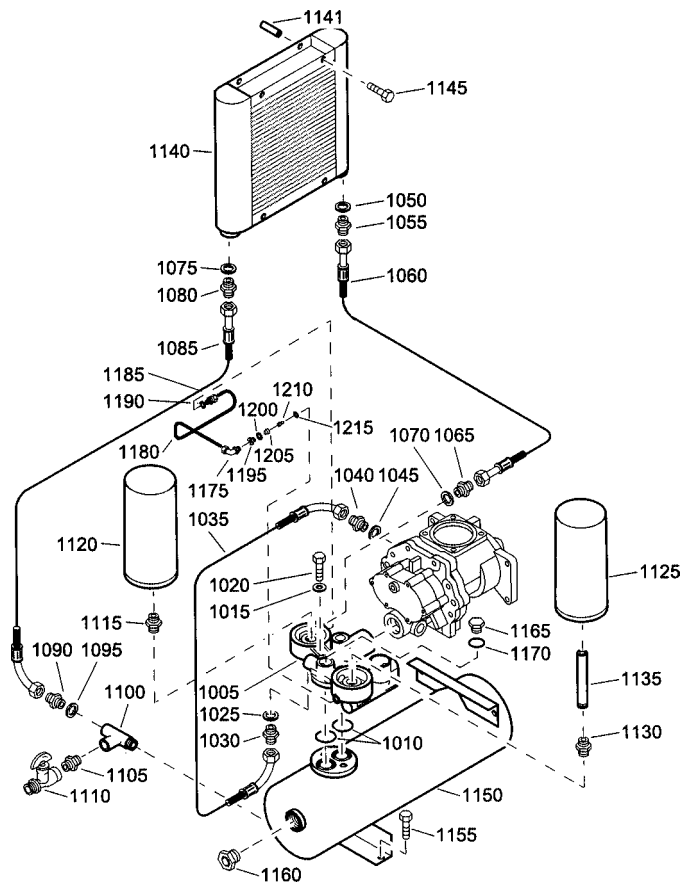




## Air flow

Ref.	Part number	Qty	Name	Remarks	Ref.	Part number	Qty	Name	Remarks
1005	1503 2565 04	1	Elbow 1/2 m-f		3045		1	Solenoid valve	
1015	0347 6113 00	1	Hose clip			1089 0621 14		230V/50Hz	
<b>1020</b>	<<<< >>>>	<b>1</b>	<b>Unloader valve</b>			1089 0621 16		230V/60Hz	
1025	1613 9010 00	1	Gasket			1089 0621 19		115V/60Hz	
1030	0147 1323 03	4	Hexagon bolt		3050		1	Hourmeter	
1035	0301 2335 00	4	Washer			1089 0642 03		230V/50Hz	
1040	1622 0233 00	1	Coupling			1089 0642 07		115V/60Hz	
1041	0661 1000 44	1	Seal washer			1089 0642 08		230V/60Hz	
1045	0663 3130 00	2	O-ring		3055		1	Housing	
1060	1513 0402 01	1	Piston			1622 0257 00		13 bar,	
1065	0663 2105 40	1	O-ring					175 psi	
1070	1513 0064 00	1	Spring			9820 2280 00		7.5-10 bar,	
1075	1513 0401 01	1	Valve disc					100-150 psi	
1076	0653 9167 00	1	Gasket		3056	0661 1000 44	1	Seal washer	
1080	0605 8700 39	1	Bushing		3060		1	Spring	
1085	0661 1000 39	1	Seal washer			1513 0063 00		7.5-10 bar,	
1090	0581 0000 34	1	Coupling					100-150 psi	
1095	0661 1000 38	1	Seal washer			1622 0259 00		13 bar,	
1100	0070 6002 04	AR	Plastic tube					175 psi	
1105	0581 1200 16	1	Coupling(elbow)		3065	0129 3104 00	4	Blind rivet	(C,U)
1115	0605 8700 39	1	Bushing		3080	1088 1001 01	2	Warning mark	(C,U)
1116	0661 1000 39	1	Seal washer		3090	1613 5330 00	1	Listing mark	(C,U)
1120	0830 1007 70	1	Safety valve		4010	1622 0274 00	1	Support	GX11 Pack
1165	0605 8700 39	1	Bushing		4020	0551 0001 65	1	Threaded pipe	
1170	0661 1000 39	1	Seal washer					GX5-7-11 Pack	
1175	0581 1200 28	1	Coupling		4025	0560 4401 16	1	Pipe fitting	
1185	0070 6002 04	AR	Plastic tube					GX5-7-11 Pack	
1191	0581 0000 34	1	Coupling		5010		1	Air receiver	
1195	0661 1000 38	1	Seal washer			1622 0210 00		7.5, 10bar	CE
1196	1089 0654 01	1	Press.switch			1622 0228 00		13bar	CE
1225	1615 7831 02	1	Temperature switch			1622 0268 00		100, 125, 150,	
1226	1622 0282 00	1	Plug					175psi,	As, L
1230	0661 1000 39	1	Seal washer					13bar	As, L
1245	0661 1000 39	1	Seal washer			1622 0278 00		13bar	D, MOL,
1250	1079 5840 15	1	Nipple					13bar	SQL
1256	0575 0056 16	1	Hose assembly		5015		1	Safety valve	
1260	1619 5509 00	1	Nipple			0830 1007 68		11bar	T
1265	0661 1000 43	1	Seal washer			0830 1007 70		14.3bar	T
	<b>1613 9000 80</b>	<b>1</b>	<b>Air filter assembly</b>			0830 1008 35		160psi	As
2020	1613 9000 00	• 1	Air filter housing			0830 1008 38		215psi	As
2025	1613 9001 00	• 1	Air filter element		5016	0605 8700 39	1	Bushing	
3040		1	Temp.switch		5017	0661 1000 39	1	Seal washer	
	1089 0637 03		7.5-10 bar,		5045	1503 2565 41	1	Elbow 3/8-1/4 m	
			100-150 psi		5050	0852 0010 36	1	Ball valve g1/4	
	1089 0637 04		13 bar,		6010	0852 0010 21	1	Ball valve	
			175 psi		6015	0603 4150 14	1	Bushing	(C, U)
3041	1622 0282 00	1	Plug		6040	1502 4202 00	4	Pad	

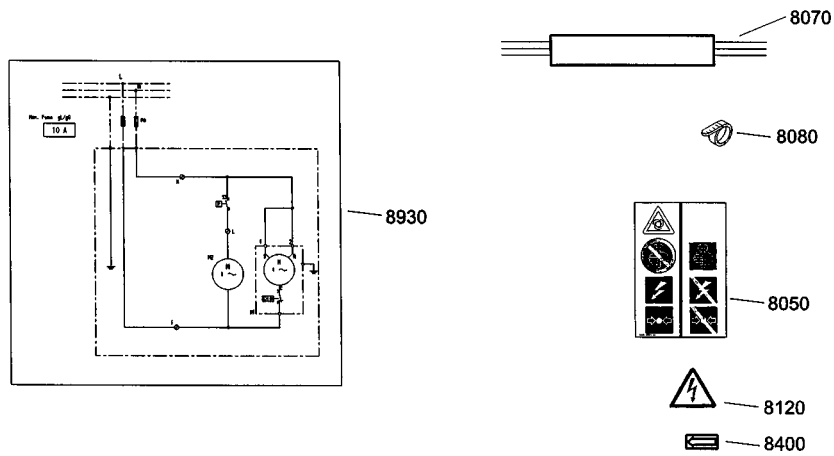
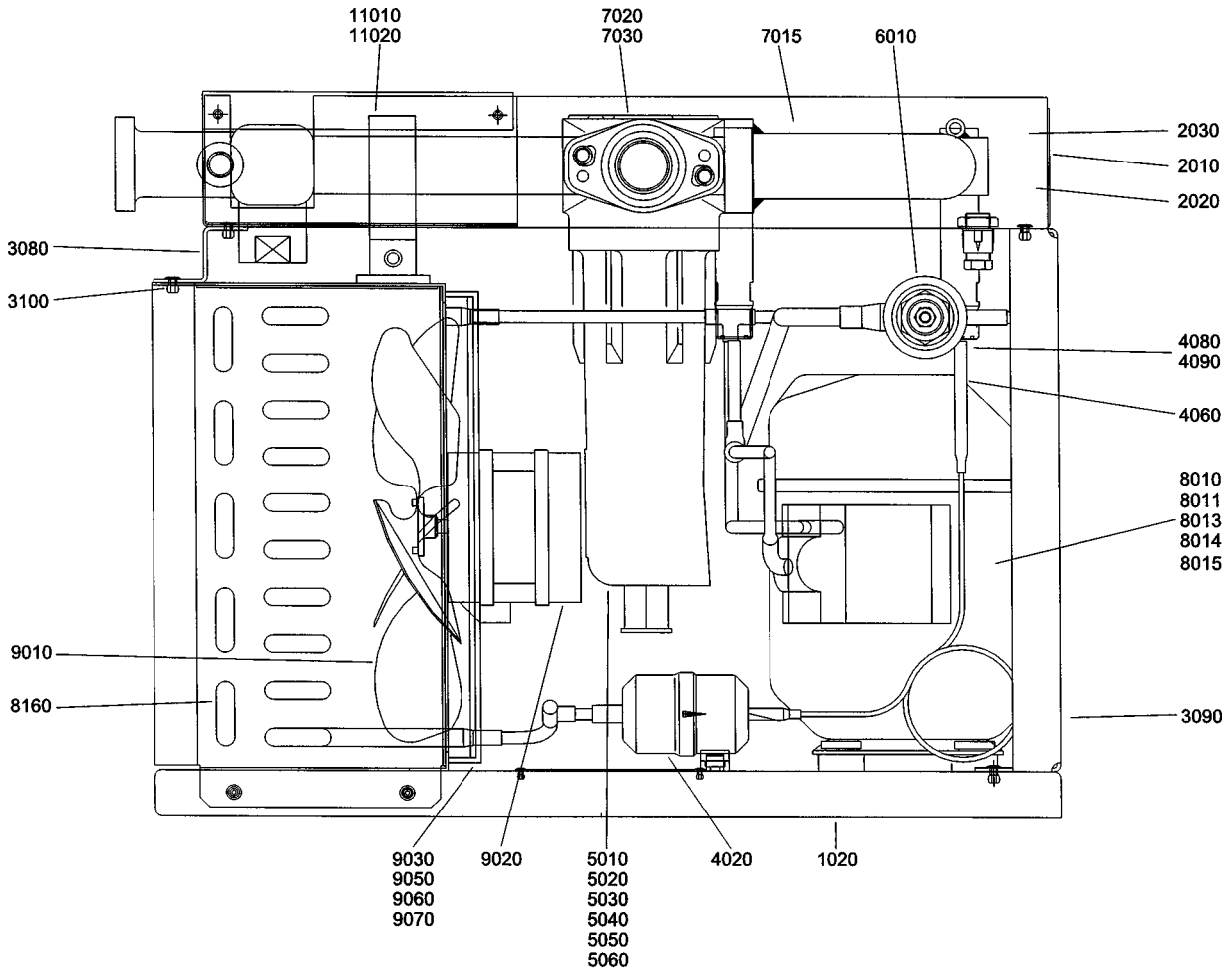
4



## Oil system

Ref.	Part number	Qty	Name	Remarks	Ref.	Part number	Qty	Name	Remarks
1005	1622 0231 00	1	Connection		1115	1619 3770 00	1	Nipple	
1010	0663 3130 00	2	O-ring		1120	1613 6105 00	1	Oil filter	
1015	0301 2344 00	2	Washer		1125	1622 0245 00	1	Oil separator	
1020	0147 1365 03	2	Hexagon bolt		1130	1622 0235 00	1	Coupling	
1025	0661 1000 39	1	Seal washer		1135	1622 0236 00	1	Pipe	
1030	1079 5840 12	1	Nipple		1140	1622 0240 02	1	Cooler	
1035	0574 9918 09	1	Hose assembly		1141	1622 0276 00	4	Tube	
1040	1079 5840 12	1	Nipple		1145	0147 1963 08	4	Hexagon bolt	
1045	0661 1000 39	1	Seal washer		1150	1622 0238 00	1	Vessel	
1050	0661 1000 39	1	Seal washer		1155	1619 2766 00	2	Bolt	
1055	1079 5840 12	1	Nipple		1160	1513 0164 00	1	Sight glass	
1060	0574 9910 08	1	Hose assembly		1165	1202 8992 00	1	Plug	
1065	1079 5840 12	1	Nipple		1170	0663 2102 15	1	O-ring	
1070	0661 1000 39	1	Seal washer		1175	0581 1200 32	1	Coupling	
1075	0661 1000 39	1	Seal washer		1180	1622 0237 00	1	Pipe	
1080	1079 5840 12	1	Nipple		1185	0581 0001 16	1	Pipe coupling	
1085	0574 9911 16	1	Hose assembly		1190	0661 1000 38	1	Seal washer	
1090	1079 5840 03	1	Nipple		1195	0605 8700 67	1	Bushing	
1095	0661 1000 40	1	Seal washer		1200	0653 0500 47	1	Gasket	
1100	1503 2566 12	1	Tee		1205	1613 9004 00	1	Spring	
1105	1503 2564 11	1	Nipple 3/8-1/4		1210	1613 9005 00	1	Non return valve	
1110	1503 2531 00	1	Ball valve g1/4		1215	0663 2108 11	1	O-ring	

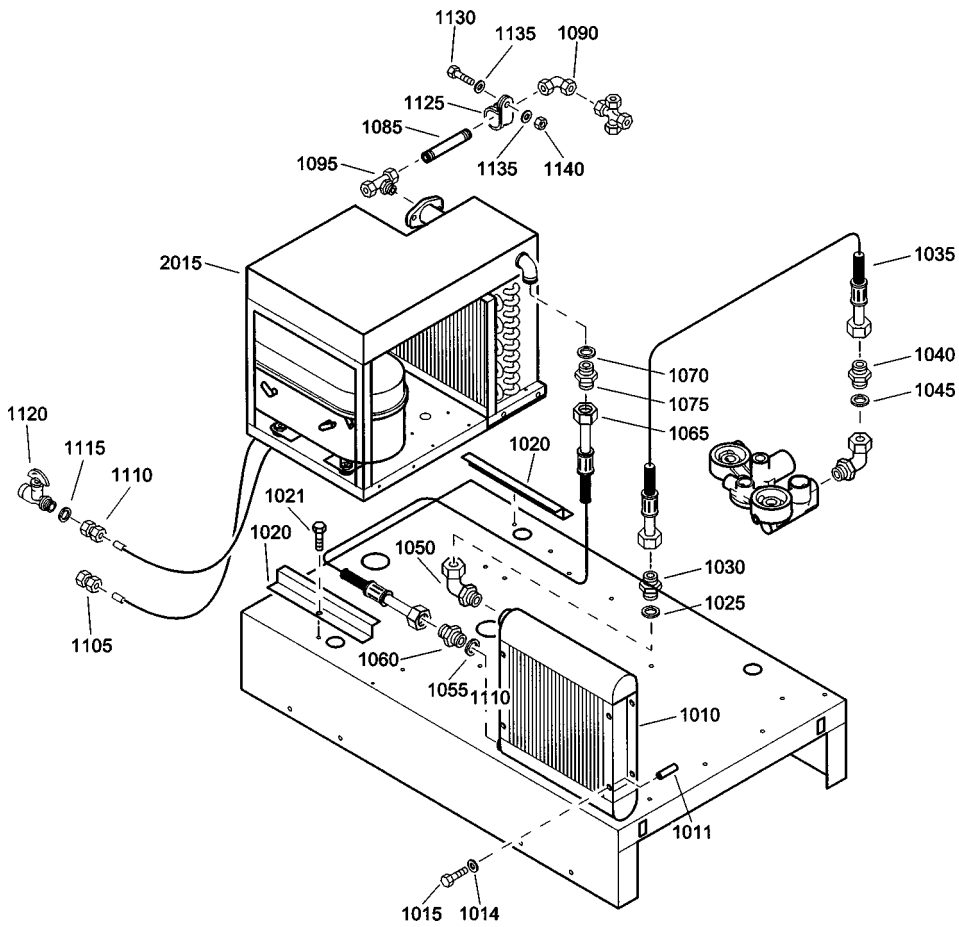
# 5



## Air dryer - IDX19-26

Ref.	Part number	Qty	Name	Remarks	Ref.	Part number	Qty	Name	Remarks
	<b>8092 2453 59</b>	<b>1</b>	<b>Dryer</b>						
	<b>8092 2453 67</b>		<b>IDX19</b>	230V/50Hz			<b>•• 1</b>	Start capacitor	
	<b>8092 2453 75</b>		<b>IDX26</b>	230V/60Hz - C,U				IDX19 50Hz	
	<b>8092 2453 83</b>		<b>IDX26</b>	230V/50Hz				IDX19 60Hz	
			<b>IDX26</b>	230V/60Hz - C,U				IDX26 50Hz	
1020		<b>• 1</b>	Frame					IDX26 60Hz	
	1617 1834 00		IDX19			1617 1549 02		IDX26 50Hz	
	1617 2072 00		IDX26			1617 1549 02		IDX26 60Hz	
	<b>1603 1835 80</b>	<b>• 1</b>	<b>Box ass'y</b>		8013		<b>•• 1</b>	Start relay	
2010	1617 1835 00	<b>•• 1</b>	Box			1617 1551 07		IDX19 50Hz	
2020	1617 1853 00	<b>•• 1</b>	Insulation (bottom)			1617 1551 08		IDX19 60Hz	
2030	1617 1854 00	<b>•• 1</b>	Insulation (top)			1617 1551 10		IDX26 50Hz	
3080	1617 1833 00	<b>• 1</b>	Support			1617 1551 11		IDX26 60Hz	
3090	1617 1832 00	<b>• 1</b>	Support		8014		<b>•• 1</b>	Anti-vibration set	
3100	0129 3115 00	<b>• 5</b>	Blind rivet			1617 1528 80		IDX19 50Hz	
4020	1617 1322 01	<b>• 1</b>	Filter-drier			1617 1528 80		IDX19 60Hz	
4060	1619 5563 02	<b>• 1</b>	Schraderventiel			1617 1530 80		IDX26 50Hz	
4080	1617 0092 01	<b>• 1</b>	Nut			1617 1530 80		IDX26 60Hz	
4090	1617 0139 00	<b>• 1</b>	Sleeve		8015		<b>•• 1</b>	Overload protection	
5010	0653 1062 00	<b>• 8</b>	Flat gasket			1617 1550 06		IDX19 50Hz	
5020	0581 0000 35	<b>• 1</b>	Straight coupling			1617 1550 07		IDX19 60Hz	
5030	0070 6002 05	<b>• AR</b>	Plastic tube			1617 1550 12		IDX26 50Hz	
5040	0661 1020 00	<b>• 8</b>	Seal washer			1617 1550 13		IDX26 60Hz	
5050	0581 0000 34	<b>• 1</b>	Straight coupling		8050	1079 9901 09	<b>• 1</b>	Decal	
5060	0070 6002 04	<b>• AR</b>	Plastic tube		8070		<b>• 1</b>	Wiring	
6010		<b>• 1</b>	Hot gas bypass valve			1617 2575 80		50Hz	
	1617 1284 03		IDX19			1617 2576 80		60Hz	
	1617 1524 01		IDX26		8080	0348 0101 13	<b>• 3</b>	Cable tie	
7015	1617 1831 00	<b>• 1</b>	Heat exchanger		8120	1088 1001 01	<b>• 1</b>	Warning mark	
7020	<b>1613 8226 81</b>	<b>• 1</b>	<b>Water separator</b>		8160	1617 1941 00	<b>• 1</b>	Condensor	
			Wsd40		8400	1617 2385 00	<b>• 1</b>	Rotation arrow	
	1613 8226 00	<b>•• 1</b>	Wsd40 head		8930	9827 0464 00	<b>• 1</b>	Service diagram	
	1613 9336 00	<b>•• 1</b>	Wsd40 bowl				<b>• 1</b>	<b>Fan ass'y</b>	
	2901 0712 00	<b>•• 1</b>	Drain valve kit			<b>1617 2381 81</b>		<b>50Hz</b>	
	2901 0748 00	<b>•• 1</b>	Separation kit			<b>1617 2381 82</b>		<b>60Hz</b>	
7030	0663 9191 00	<b>• 2</b>	O-ring		9010	1617 1314 01	<b>•• 1</b>	Fan	
8010		<b>• 1</b>	<b>Refrigerant compressor</b>		9020		<b>•• 1</b>	Fanmotor	
	<b>1617 1217 01</b>		IDX19 50Hz		9030	1617 1316 01	<b>•• 1</b>	Fan grating	
	<b>1617 1217 02</b>		IDX19 60Hz		9050	0147 1208 03	<b>•• 4</b>	Hex.bolt	
	<b>1617 1483 01</b>		IDX26 50Hz		9060	0301 2318 00	<b>•• 4</b>	Washer	
	<b>1617 1483 03</b>		IDX26 60Hz		9070	0333 3215 00	<b>•• 4</b>	Washer	
					11010	1089 9214 26	<b>• 1</b>	Fan switch	
					11020	0226 3256 00	<b>• 2</b>	Screw	

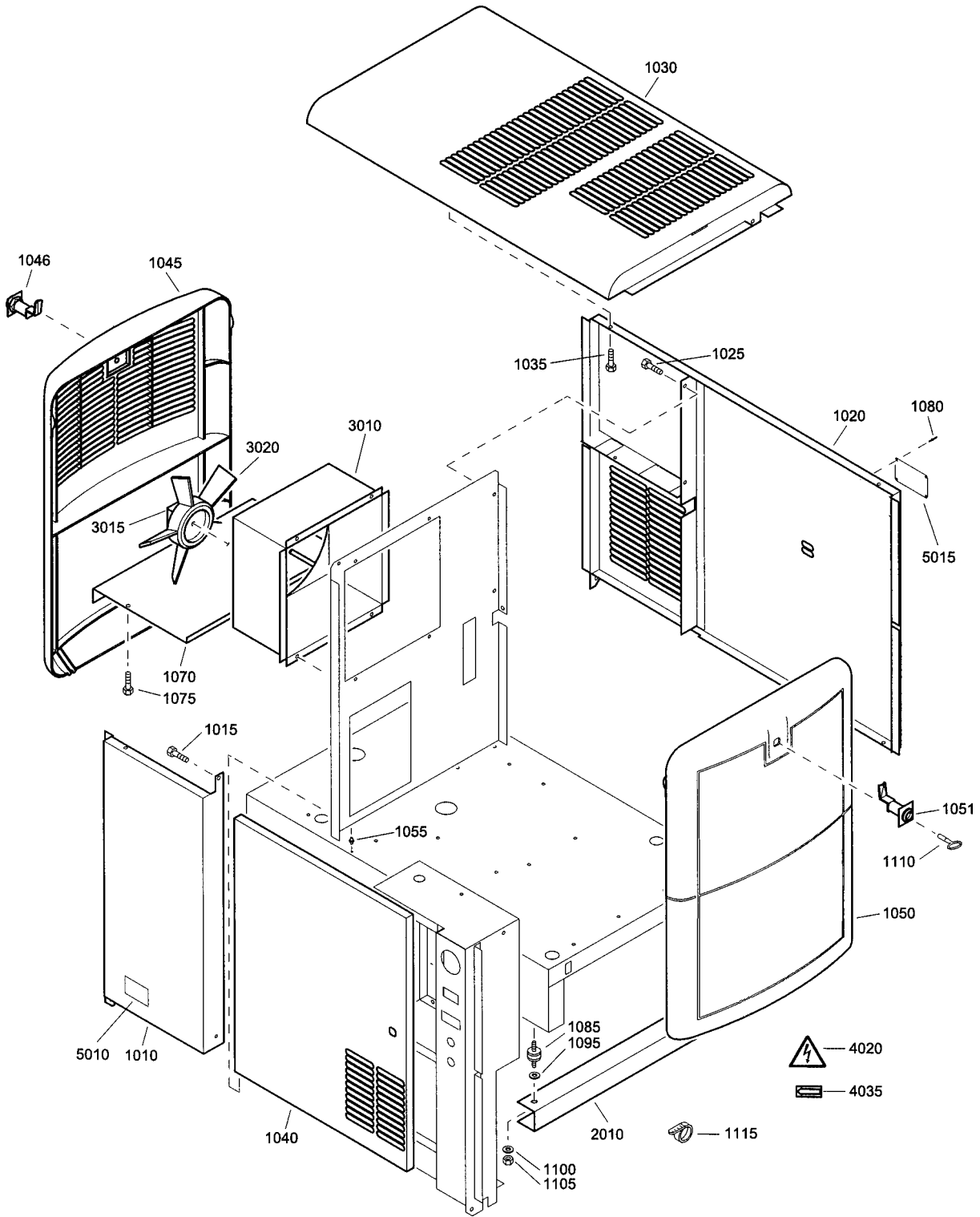
# 6



## Air dryer connections - Full-feature

Ref.	Part number	Qty	Name	Remarks	Ref.	Part number	Qty	Name	Remarks
1010	1622 0240 01	1	Cooler		1065	0575 0056 32	1	Hose assembly	
1011	1622 0276 00	4	Tube		1070	0661 1000 39	1	Seal washer	
1014	0301 2335 00	4	Washer		1075	1079 5840 15	1	Nipple	
1015	0147 1332 03	4	Hexagon bolt		1085	0551 0002 28	1	Threaded pipe	
1020	1622 0207 00	2	Support		1090	0560 4401 02	1	Elbow	
1021	1619 2766 00	2	Bolt		1095	1503 2566 23	1	Tee	
1025	0661 1000 39	1	Seal washer		1105	0581 0000 55	1	Pipe coupling	
1030	1079 5840 15	1	Nipple		1110	0581 0000 33	1	Coupling	
1035	0575 0796 23	1	Hose assembly		1115	0661 1000 42	1	Seal washer	
1040	1079 5840 15	1	Nipple		1120	1613 8892 00	1	Cock	
1045	0661 1000 39	1	Seal washer		1125	0346 1000 30	1	Pipe clamp	
1050	1503 2565 04	1	Elbow 1/2 m-f		1130	0147 1323 03	1	Hexagon bolt	
1055	0661 1000 39	1	Seal washer		1135	0301 2335 00	2	Washer	
1060	1079 5840 15	1	Nipple		1140	0266 2110 00	1	Nut	
					<b>2015</b>	<<<< >>>>	1	<b>Dryer</b>	

7



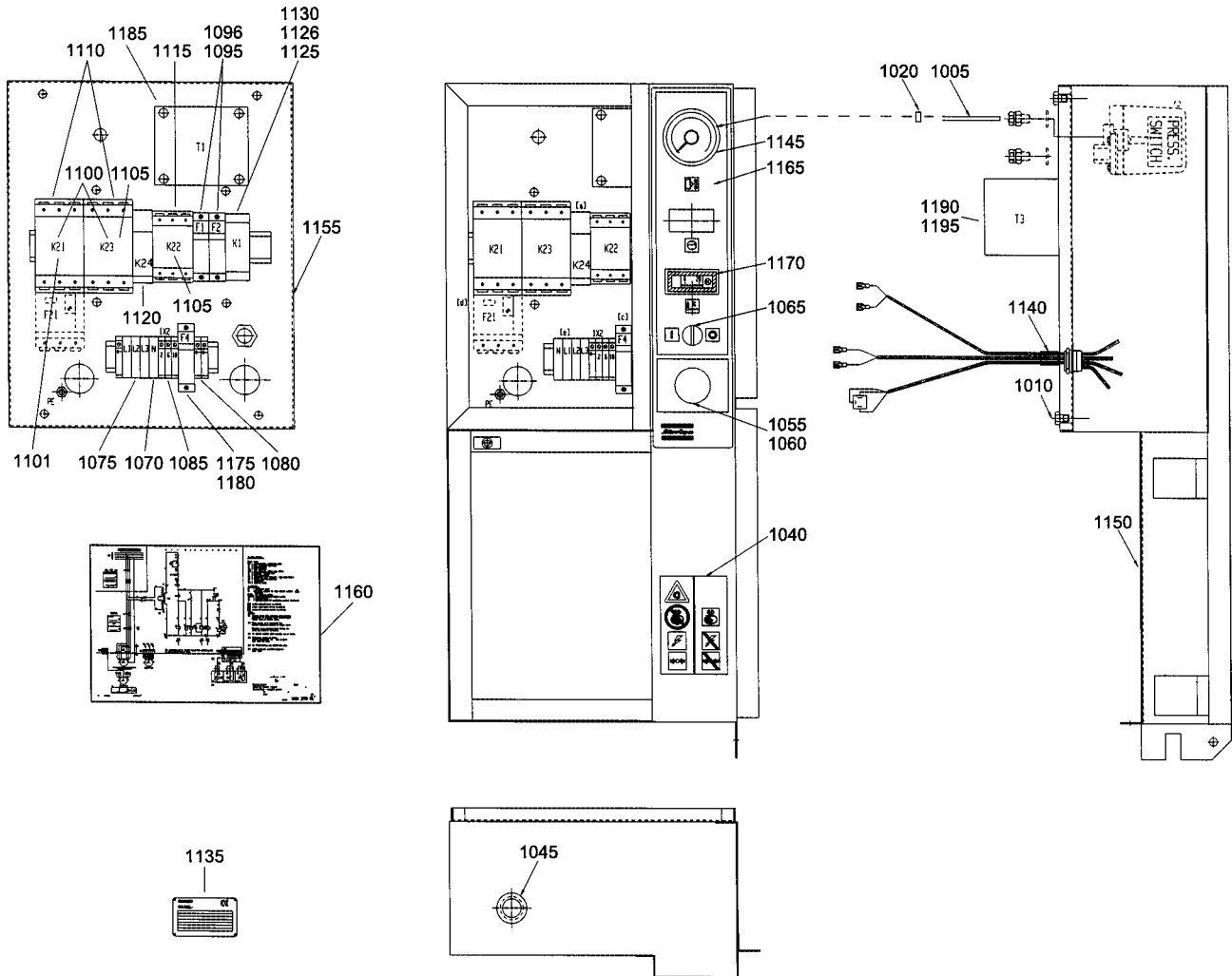


## Bodywork

Ref.	Part number	Qty	Name	Remarks	Ref.	Part number	Qty	Name	Remarks
1010	1622 0208 80	1	Panel	1)	3010	1622 0202 00	• 1	Duct	
	0690 1116 01	• 1	House mark		3015		• 1	Fan motor	
1015	0147 1963 08	3	Hexagon bolt			1613 9800 01		50Hz	
1020	1622 0212 80	1	Panel	1)2)		1613 9800 02		60Hz	
1025	0147 1963 08	4	Hexagon bolt		3020	1613 9819 01	• 1	Fan	
1030	1622 0217 80	1	Roof	1)3)	4020	1088 1001 02	1	Warning mark	
1035	0147 1963 08	4	Hexagon bolt		4035	1503 0786 00	1	Rotation arrow	
1040	1622 0204 80	1	Door	1)	5010		1	Decal	
	1613 9531 00	• 1	Lock			1622 0232 21		GX5 FF	
	1613 8484 02	• 1	Hinge			1622 0232 22		GX5 P	
	1088 1001 02	• 1	Warning mark			1622 0232 23		GX7 FF	
1045	1622 0223 80	1	Door assembly			1622 0232 24		GX7 P	
1046	1622 0247 00	• 1	Lock			1622 0232 13		GX11 FF	
1050	1622 0234 80	1	Door assembly			1622 0232 14		GX11 P	
1051	1622 0247 00	• 1	Lock		5015		1	Data plate	
1055	1622 0229 00	1	Plug			1613 7394 00		50Hz	
1070	1622 0221 80	1	Baffle assembly	1)4)		1614 5933 00		60Hz	
1075	0147 1963 08	2	Hexagon bolt		1)-4)			Lined with / Bekleed met / Beklädd med / Ausgekleidet mit / Garni de / Revestido de / Allineato con / Foret med / Revestido com / Kledd med / Vuorattu	
1080	0129 3103 00	4	Blind rivet						
1085	1502 4202 00	4	Pad		1)	Foam: 1079 0003 31 (AR)	25 x 2000 x 1500		
1095	0301 2335 00	4	Washer		2)	Foam: 0395 6001 49 (AR)	70 x 2000 x 1500		
1100	0333 3227 00	4	Lock washer		3)	Foam: 1079 0003 33 (AR)	50 x 2000 x 1500		
1105	0266 2110 00	8	Nut		4)	Foam: 0395 1001 99 (AR)	10 x 2000 x 1500		
1110	1089 9068 01	2	Key						
1115	1088 1301 02	1	Cable strip						
2010	1622 0275 00	2	Support						
		1	<b>Fan assembly</b>						
	<b>1622 0202 80</b>		<b>50Hz</b>						
	<b>1622 0202 81</b>		<b>60Hz</b>						

8

Start cubicle - star/delta - Pack/Full-feature



61178\_12

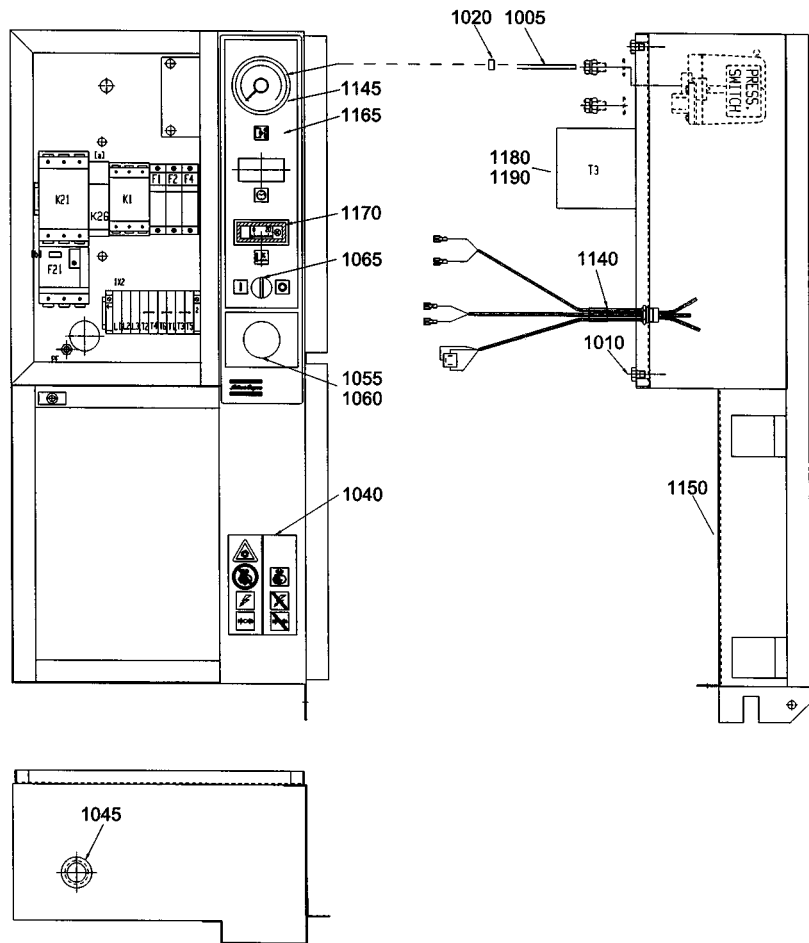
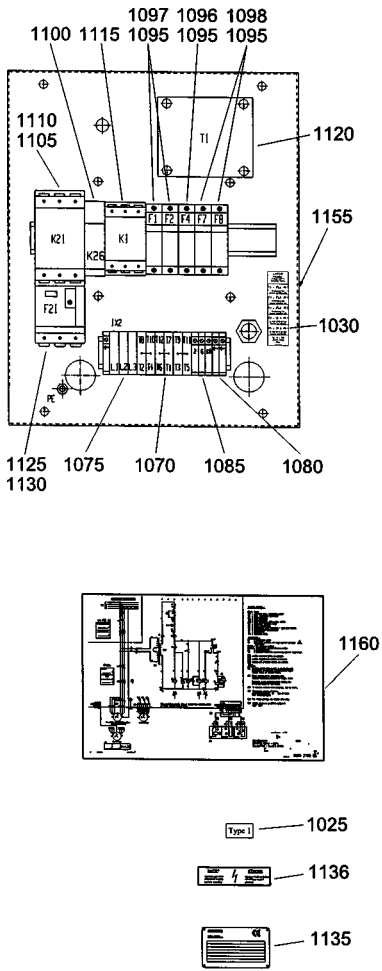
Ref.	Part number	Qty	Name	Remarks	Ref.	Part number	Qty	Name	Remarks
		<b>1</b>	<b>Cubicle</b>						
	<b>1900 2020 01</b>		GX5P 230V/50Hz, GX7P 230V/50Hz, GX5P 230V/60Hz, GX7P 230V/60Hz, GX5P 400V+N/50Hz, GX7P 400V+N/50Hz, GX11P 400V+N/50Hz			<b>1900 2020 02</b>		GX5FF 230V/50Hz, GX7FF 230V/50Hz, GX5FF 230V/60Hz, GX7FF 230V/60Hz, GX5FF 400V+N/50Hz, GX7FF 400V+N/50Hz, GX11FF 400V+N/50Hz	

Start cubicle - star/delta - Pack/Full-feature

Ref.	Part number	Qty	Name	Remarks	Ref.	Part number	Qty	Name	Remarks
	<b>1900 2020 03</b>		GX5P 400V/50Hz, GX7P 400V/50Hz, GX11P 400V/50Hz, GX5P 500V/50Hz, GX7P 500V/50Hz, GX11P 500V/50Hz, GX5P 460V/60Hz, GX7P 460V/60Hz, GX11P 460V/60Hz		1160		1	Service diagram 7)	
			GX5FF 400V/50Hz, GX7FF 400V/50Hz, GX11FF 400V/50Hz, GX5FF 500V/50Hz, GX7FF 500V/50Hz, GX11FF 500V/50Hz, GX5FF 460V/60Hz, GX7FF 460V/60Hz, GX11FF 460V/60Hz, GX11FF 380V/60Hz		9820 3151 01			1)2)	
	<b>1900 2020 04</b>		GX11P 230V/50Hz, GX11P 230V/60Hz, GX11FF 230V/50Hz, GX11FF 230V/60Hz		9820 3151 02			3)4)5)6)	
	<b>1900 2020 05</b>		GX11P 230V/50Hz, GX11P 230V/60Hz		1165		1	Decal	
	<b>1900 2020 06</b>		GX11FF 230V/50Hz, GX11FF 230V/60Hz		1622 0227 00			GX5-11 Pack	
1005	0070 6002 04	•	AR Plastic tube		1622 0222 00			GX5-11 FF	
1010	0147 1963 08	•	4 Hexagon bolt		1170		1	Thermometer	
1020	0584 9904 00	•	1 Sleeve		1202 7974 04			2)4)6)	
1040	1079 9903 87	•	1 Label		1175		1	Fuse terminal	
1045	1088 0801 26	•	1 Grommet		1089 0506 16			3)4)5)6)	
1055	1089 0362 50	•	1 Contact block		1180		1	Fuse link	
1060	1089 0362 51	•	1 Push button		1089 9037 02			3)4)5)6)	
1065	1089 0362 70	•	1 Switch		1185		1	Transformer	T1
1070	1089 0506 06	•	1 Terminal		1089 9436 02			3)4)5)6)	
1075	1089 0506 07	•	1 Terminal		<b>1190</b>		<b>1</b>	<b>Trafo ass'y</b>	<b>T3</b>
1080	1089 0506 27	•	2 Terminal		<b>1622 0277 80</b>		<b>1</b>	<b>4)6)</b>	
	1089 0506 27	•	3 Terminal		1195		•• 1	Fuse	F9-F10
	1089 0506 27	•	3 Terminal		1089 9050 08			4)6)	
1085	1089 0506 62	•	3 Terminal		2000		1	Overload relay F21	
1095	1089 0612 01	•	2 Fuse holder		1089 9424 28			GX5P + FF 230V/50Hz, GX5P + FF 230V/60Hz, GX11P + FF 500V/50Hz, GX11P + FF 460V/60Hz	
1096	1089 0612 27	•	2 Fuse		1089 9424 29			GX7P + FF 230V/50Hz, GX7P + FF 230V/60Hz, GX11P + FF 400V+N/50Hz, GX11P + FF 400V/50Hz, GX11FF 380V/60Hz	
1100	1089 9415 07	•	2 Contact block	K21-K23	1089 9424 26			GX5P + FF 400V+N/50Hz, GX5P + FF 400V/50Hz, GX7P + FF 500V/50Hz	
	1089 9415 09	•	5)6)		1089 9424 27			GX7P + FF 400V+N/50Hz, GX7P + FF 400V/50Hz, GX7P + FF 460V/60Hz	
1101	1089 9415 55	•	1 Contact block	K21	1089 9424 25			GX5P + FF 500V/50Hz, GX5P + FF 460V/60Hz, GX11P + FF 230V/50Hz, GX11P + FF 230V/60Hz	
1105	1089 9415 08	•	2 Contact block		1089 9424 38				
	1089 9415 08	•	1 Contact block	K22-K23					
	1089 9415 09	•	1 Contact block	K23					
1110	1089 9415 21	•	2 Contactor	K21-K23					
	1089 9415 31	•	5)6)						
1115	1089 9415 51	•	1 Contactor	K22					
	1089 9415 21	•	5)6)						
1120	1089 9435 11	•	1 Time relay						
1125	1089 9511 27	•	1 Interface relay						
1126	1089 9511 29	•	1 Socket						
1130	1089 9511 34	•	1 Clip						
1135	1613 6639 00	•	1 Data plate						
1140	1613 9486 00	•	1 Wire harness						
1145	1615 7264 00	•	1 Pressure gauge						
1150	1622 0241 00	•	1 Cubicle						
1155	1622 0253 01	•	1 Plate						

- 1) GX5P 230V/50Hz, GX7P 230V/50Hz,  
GX5P 230V/60Hz, GX7P 230V/60Hz,  
GX5P 400V+N/50Hz, GX7P 400V+N/50Hz,  
GX11P 400V+N/50Hz
- 2) GX5FF 230V/50Hz, GX7FF 230V/50Hz,  
GX5FF 230V/60Hz, GX7FF 230V/60Hz,  
GX5FF 400V+N/50Hz, GX7FF 400V+N/50Hz,  
GX11FF 400V+N/50Hz
- 3) GX5P 400V/50Hz, GX7P 400V/50Hz, GX11P 400V/50Hz,  
GX5P 500V/50Hz, GX7P 500V/50Hz, GX11P 500V/50Hz,  
GX5P 460V/60Hz, GX7P 460V/60Hz, GX11P 460V/60Hz
- 4) GX5FF 400V/50Hz, GX7FF 400V/50Hz,  
GX11FF 400V/50Hz,  
GX5FF 500V/50Hz, GX7FF 500V/50Hz,  
GX11FF 500V/50Hz,  
GX5FF 460V/60Hz, GX7FF 460V/60Hz,  
GX11FF 460V/60Hz,  
GX11FF 380V/60Hz
- 5) GX11P 230V/50Hz, GX11P 230V/60Hz
- 6) GX11FF 230V/50Hz, GX11FF 230V/60Hz
- 7) Supplied loose / Los geleverd / Levereras separat / Lose mitgeliefert / Livré séparément / Sumministrado suelto / Fornito separatamente / Leveres separat / Fornecido separatamente / Leveres separat / Toimitetaan irrallisena

9

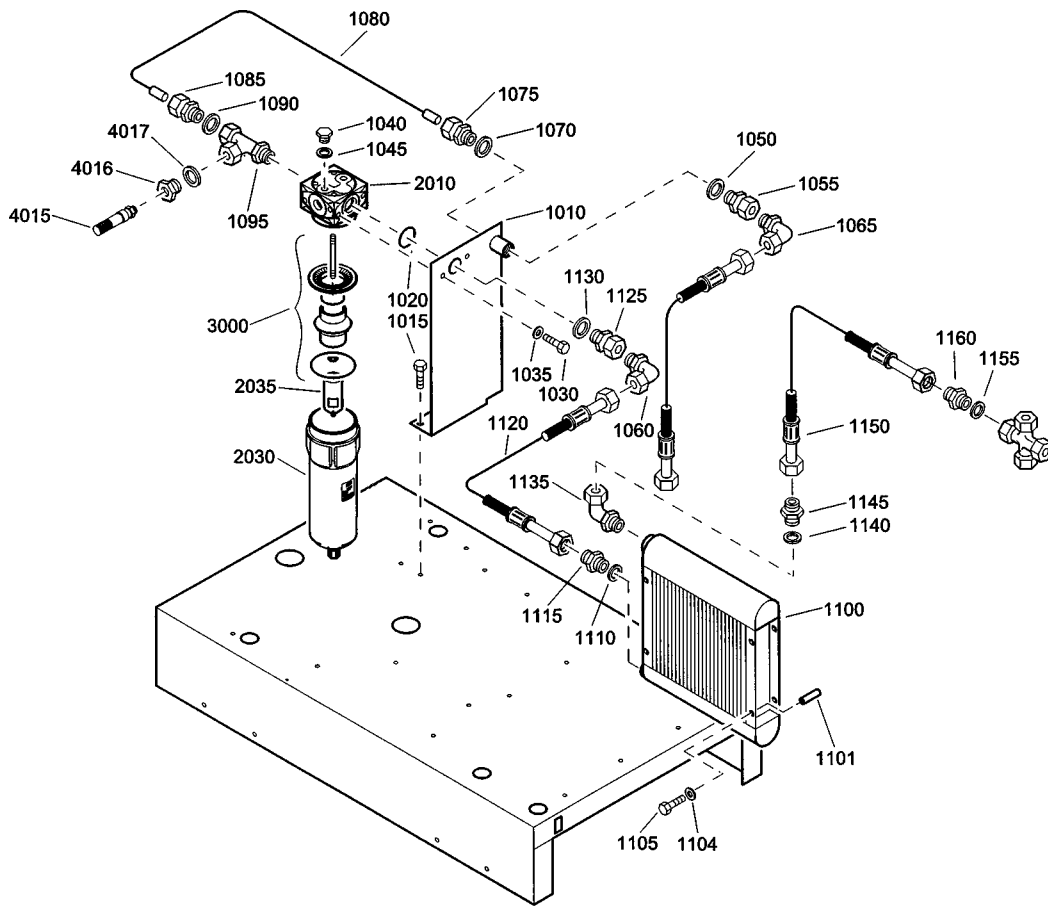


## Start cubicle - DOL - Pack/Full-feature CSA/UL

9

Ref.	Part number	Qty	Name	Remarks	Ref.	Part number	Qty	Name	Remarks
	<b>1900 2020 51</b>	<b>1</b>	<b>Cubicle</b>		1100	1089 9435 15	• 1	Time relay	K26
			GX7P 230V/60Hz,		1105	1089 9415 55	• 1	Contact block	K21
			GX7P 460V/60Hz,		1110		• 1	Contactors	K21
			GX7P 575V/60Hz,			1089 9415 44		1)2)	
			GX11P 230V/60Hz,			1089 9415 34		3)4)	
			GX11P 460V/60Hz,		1115	1089 9415 54	• 1	Contactors	K1
	<b>1900 2020 52</b>		GX11P 575V/60Hz		1120	1089 9436 02	• 1	Transformer	T1
			GX7FF 230V/60Hz,		1125		• 1	Overload relay	F21
			GX7FF 460V/60Hz,			1089 9446 15		1)2)	
			GX7FF 575V/60Hz,			1089 9446 10		3)4)	
			GX11FF 230V/60Hz,		1130		• 1	Mounting element	F21
			GX11FF 460V/60Hz,			1089 9424 99		1)2)	
			GX11FF 575V/60Hz		1135	1613 3046 00	• 1	Data plate	
	<b>1900 2020 53</b>		GX5P 230V/60Hz,		1136	1613 3431 00	• 1	Label	
			GX5P 460V/60Hz,		1140	1613 9486 01	• 1	Wire harness	
			GX5P 575V/60Hz		1145	1615 7264 00	• 1	Pressure gauge	
	<b>1900 2020 54</b>		GX5FF 230V/60Hz,		1150	1622 0241 00	• 1	Cubicle	
			GX5FF 460V/60Hz,		1155	1622 0253 00	• 1	Plate	
			GX5FF 575V/60Hz		1160	9820 3151 03	• 1	Service diagram	5)
1005	0070 6002 04	•	AR Plastic tube		1165		• 1	Decal	
1010	0147 1963 08	•	4 Hexagon bolt			1622 0227 00		GX5-11 Pack	
1020	0584 9904 00	•	1 Sleeve			1622 0222 00		GX5-11 FF	
1025	1079 9911 01	•	1 Label		1170		• 1	Thermometer	
1030		•	1 Label			1202 7974 04		2)4)	
	1079 9920 04		1)3)		<b>1180</b>		• <b>1</b>	<b>Trafo ass'y</b>	<b>T3</b>
	1079 9920 91		2)4)			<b>1622 0277 80</b>		<b>2)4)</b>	
1040	1079 9903 87	•	1 Label		1190		•• 1	Fuse	F9-F10
1045	1088 0801 26	•	1 Grommet			1089 9050 08		2)4)	
1055	1089 0362 50	•	1 Contact block						
1060	1089 0362 51	•	1 Push button						
1065	1089 0362 69	•	1 Switch						
1070	1089 0506 06	•	6 Terminal						
1075	1089 0506 07	•	1 Terminal						
1080		•	Terminal						
	1089 0506 27	3	1)2)3)						
	1089 0506 27	4	4)						
1085	1089 0506 62	•	2 Terminal						
1095		•	Fuse holder						
	1089 0612 01	3	1)3)	F1, F2, F4					
	1089 0612 01	5	2)4)	F1, F2, F4, F7, F8					
1096	1089 9168 07	•	1 Fuse link	F4					
1097	1089 9168 26	•	2 Fuse link	F1, F2					
1098		•	2 Fuse link	F7, F8					
	1089 9168 54		2)4)						

# 10



## Water separator connections - Pack version

## Optional

10

Ref.	Part number	Qty	Name	Remarks	Ref.	Part number	Qty	Name	Remarks
1010	1622 0261 00	1	Support		1115	1079 5840 15	1	Nipple	
1015	1619 2766 00	2	Bolt		1120	0575 0056 32	1	Hose assembly	
1020	0663 3133 00	1	O-ring		1125	1079 5840 15	1	Nipple	
1030	0147 1321 03	2	Hexagon bolt		1130	0661 1000 39	1	Seal washer	
1035	0301 2335 00	2	Washer		1135	1503 2565 04	1	Elbow 1/2 m-f	
1040	0686 3716 01	1	Hexagon plug		1140	0661 1000 39	1	Seal washer	
1045	0661 1000 38	1	Seal washer		1145	1079 5840 15	1	Nipple	
1050	0661 1000 39	1	Seal washer		1150	0575 0796 23	1	Hose assembly	
1055	1622 0267 00	1	Bushing		1155	0661 1000 39	1	Seal washer	
1060	1503 2565 04	1	Elbow 1/2 m-f		1160	1079 5840 15	1	Nipple	
1065	1503 2565 04	1	Elbow 1/2 m-f			<b>1613 8223 80</b>	<b>1</b>	<b>Water separator</b>	
1066	1622 0267 00	1	Bushing					Wsd25	
1067	0661 1000 39	1	Seal washer		2010	1613 8223 00	1	Wsd25 head	
1070	0661 1000 39	1	Seal washer		2030	1613 8867 00	1	Wsd25 bowl	
1075	0580 0213 00	1	Coupling		2035	2901 0712 00	• 1	Drain valve kit	
1080	1622 0263 00	1	Pipe		3000	2901 0748 00	• 1	Separation kit	
1085	0580 0213 00	1	Coupling		4015		1	Safety valve	
1090	0661 1000 39	1	Seal washer			0830 1007 68		11bar	T
1095	1503 2566 13	1	Tee			0830 1007 70		14,3bar	T
1100	1622 0240 01	1	Cooler			0830 1008 35		160psi	As
1101	1622 0276 00	4	Tube			0830 1008 38		215psi	As
1104	0301 2335 00	4	Washer		4016	0605 8700 39	1	Bushing	
1105	0147 1332 03	4	Hexagon bolt		4017	0661 1000 39	1	Seal washer	
1110	0661 1000 39	1	Seal washer						

# 11

## Service kits

Ref.	Part number	Qty	Name	Remarks	Ref.	Part number	Qty	Name	Remarks
<b>2901 0852 00</b>		<b>1</b>	<b>Filter kit</b>		<b>2901 0298 50</b>		<b>1</b>	<b>Unloading valve kit</b>	
	1622 0245 00	• 1	Oil separator			1513 0532 00	• 1	Piston	
	1613 6105 90	• 1	Oil filter			1513 0011 00	• 1	Spring	
	1613 9001 00	• 1	Air filter element			1513 0019 00	• 1	Piston ring	
<b>2901 0561 00</b>		<b>1</b>	<b>Shaft seal kit</b>			0663 2105 13	• 1	O-ring	
	1616 6508 00	• 1	Seal cover			1513 0015 00	• 1	Spring	
	1616 6552 00	• 1	Bushing			0663 6129 00	• 1	O-ring	
<b>2901 0712 00</b>		<b>1</b>	<b>Drain valve kit</b>			0663 7132 00	• 1	O-ring	
		• 1	Drain assembly			0335 2130 00	• 1	Circlip	
		• 1	O-ring 61,2x3			0335 2136 00	• 1	Circlip	
		• 1	O-ring			1513 0028 01	• 1	Gasket	
		• 3	O-ring			1513 0434 00	• 1	Valve	
<b>2901 0748 00</b>		<b>1</b>	<b>Separation kit</b>			1613 9010 00	• 1	Gasket	
		• 1	Clamp		<b>2901 0245 01</b>		<b>1</b>	<b>Oil can</b>	
		• 1	Ring					ROTO-INJECTFLUID 5 l	
		• 1	O-ring		<b>2901 0522 00</b>		<b>1</b>	<b>Oil can</b>	
		• 1	Lock nut					ROTO-INJECTFLUID 20 l	